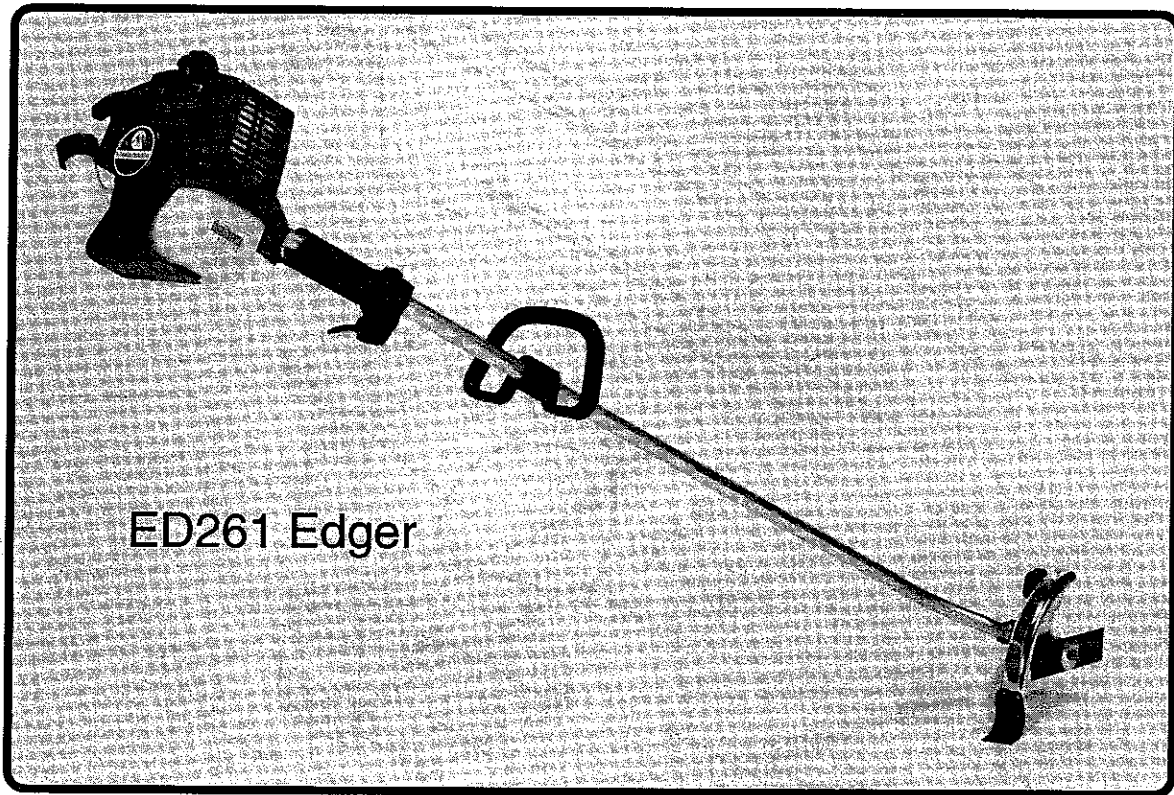




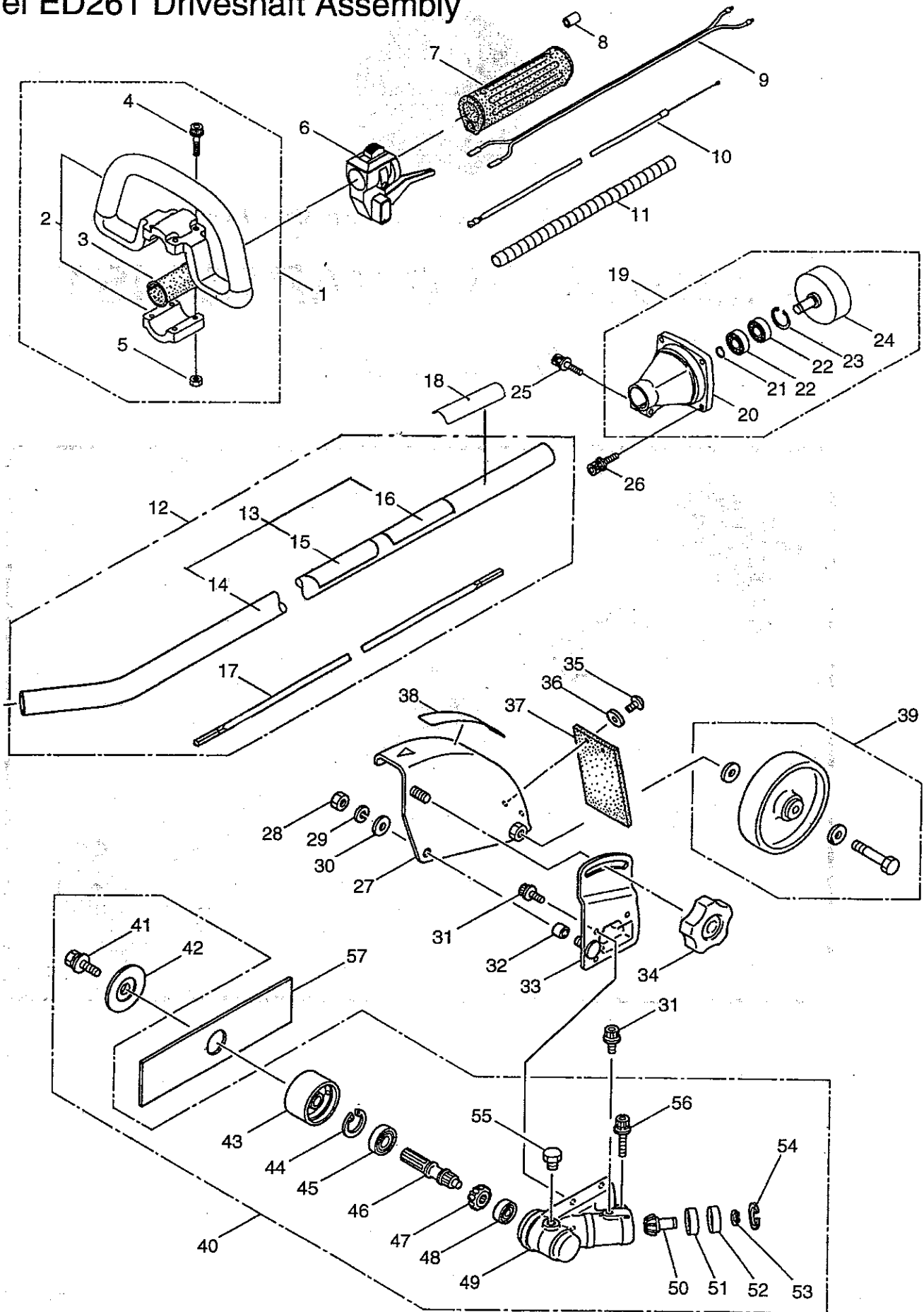
Manufacturing quality equipment since 1895.

ILLUSTRATED PARTS LIST

Model ED261



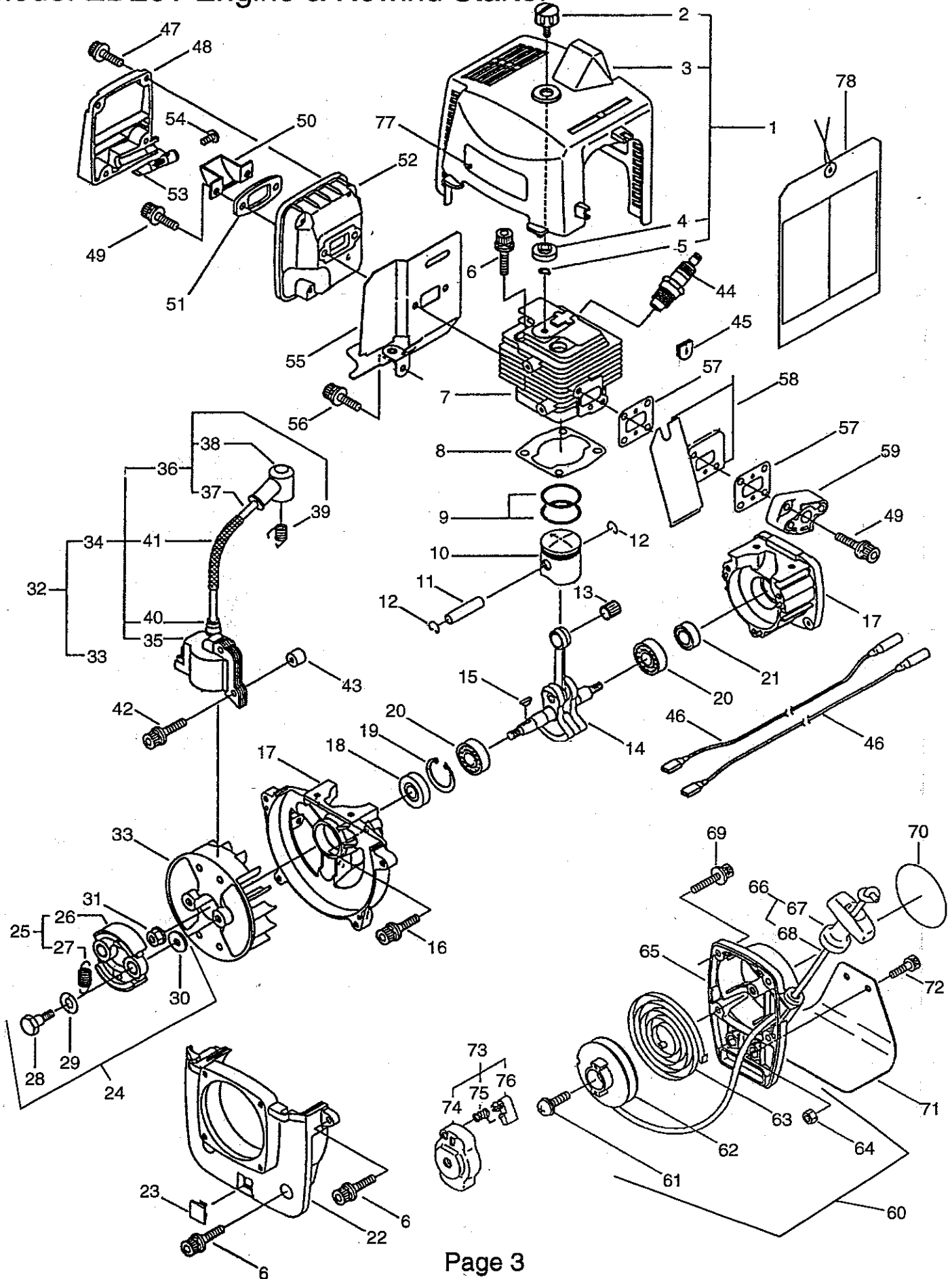
Model ED261 Driveshaft Assembly



Model ED261 Driveshaft Assembly

Ref. No.	Part No.	Description	Q'ty	Remarks
1	215601	Loop Handle Assembly	1	Includes 2~5
2	214982	Loop handle	1	
3	213171	Packing	1	
4	215608	Cap Screw	4	M5 x 30 x 16
5	089846	Nut	4	M5
6	219086	Throttle Trigger	1	
7	215532	Shaft Grip	1	
8	214083	Outer Guide	1	
9	213445	Stop Switch Lead Wire	1	
10	213444	Throttle Cable	1	340L
11	215403	Plastic Tube	1	
12	220226	Driveshaft Kit	1	Includes 13~17
13	220227	Driveshaft Tube Assembly	1	Includes 14~15
14	218691	Driveshaft Tube	1	
15	215535	Label	1	
16	215534	Label	1	
17	218693	Driveshaft	1	
18	220027	Label	1	
19	220155	Clutch Case Assembly	1	Includes 20~24
20	220156	Clutch Case	1	
21	014210	Snap Ring	1	S10
22	214161	Bearing	2	#600ZZ
23	054676	Snap Ring	1	H26
24	218588	Clutch Drum	1	
25	261246	Cap Screw	1	M5 x 25
26	261250	Cap Screw	4	M5 x 20
27	220158	Shield	1	
28	081039	Nut	1	M8
29	015845	Spring Washer	1	M8
30	014065	Washer	1	M8
31	215993	Cap Screw	4	M5 x 10
32	220165	Collar	1	ø8.2 x ø10 x 8L
33	220149	Plate	1	
34	219088	Clamping Knob Assembly	1	
35	086053	Tapping Screw	2	M4 x 8
36	550163	Washer	2	ø4 x ø12 x t0.8
37	220162	Flap	1	
38	220163	Label	1	
39	220160	Wheel Assembly	1	
40	220168	Gearcase Assembly	1	Includes 41~56
41	215610	Bolt	1	M8 x 22, Counterclockwise
42	215546	Clamping Washer	1	
43	220148	Boss Adapter	1	
44	055185	Snap Ring	1	H28
45	212999	Bearing	1	#6001 2RK
46	216056	Blade Shaft	1	
47	210555	Gear	1	
48	210554	Bearing	1	#608
49	219077	Gearcase	1	
50	216629	Pinion Gear	1	
51	210560	Bearing	1	#609
52	217042	Bearing	1	#609RS
53	140269	Snap Ring	1	WR9
54	140270	Snap Ring	1	H24
55	089884	Bolt	1	M8 x 10
56	261246	Cap Screw	1	M5 x 25
57	840084	Cutting Blade	1	

Model ED261 Engine & Rewind Starter

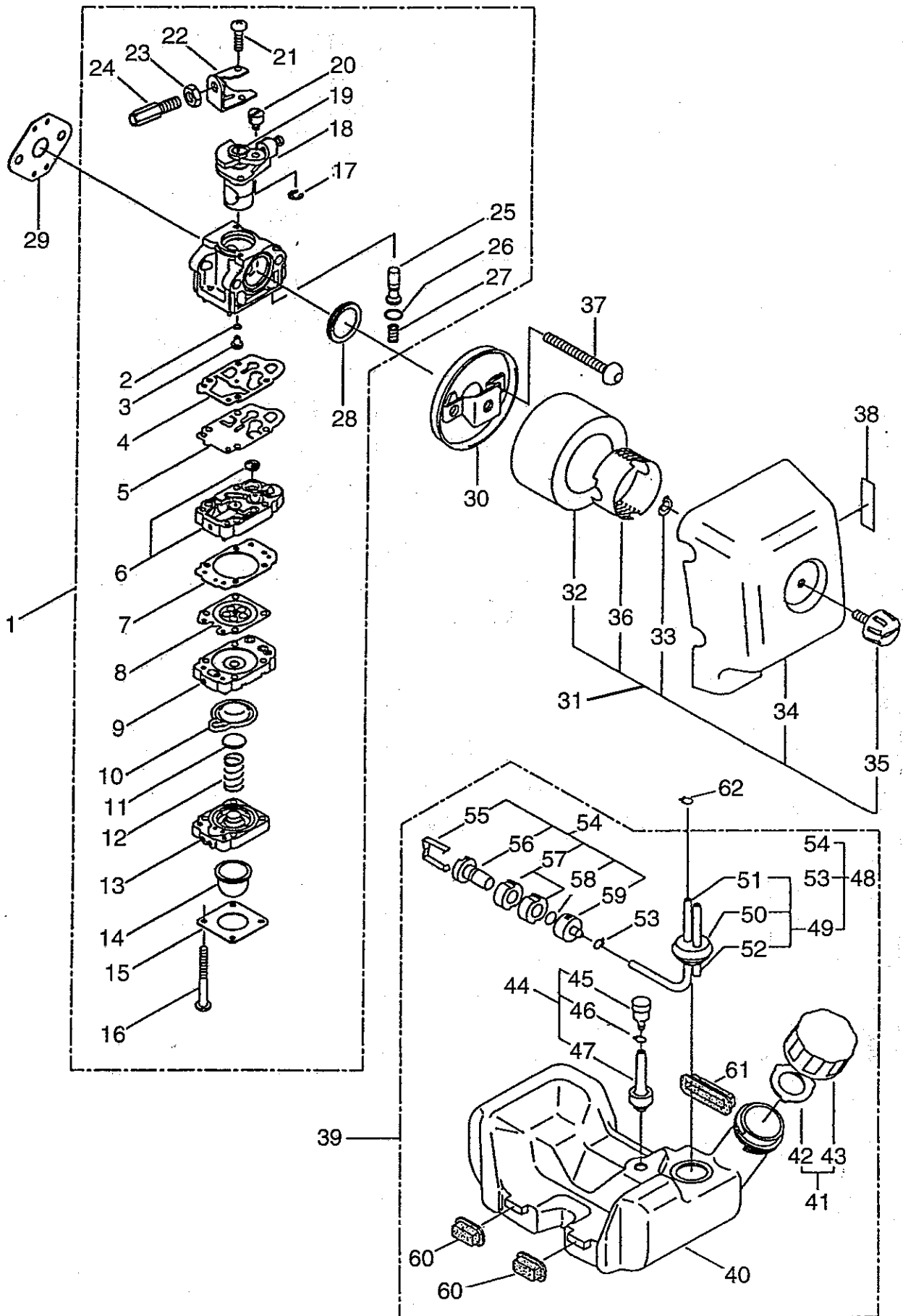


Model ED261 Engine & Rewind Starter

Ref No.	Part No.	Description	Q'ty	Remarks
1	261483	Top Cover Assembly	1	Includes 2~5
2	261018	Knob	1	
3	261484	Top Cover	1	
4	261020	Spacer	1	
5	261734	Snap Ring	1	#5
6	261250	Cap Screw	8	M5 x 20
7	261472	Cylinder	1	
8	262200	Gasket	1	
9	261496	Piston Ring	2	(2) Required
10	261494	Piston	1	
11	261497	Piston Pin	1	
12	261576	Piston Pin Clip	2	
13	261037	Needle Bearing	1	
14	261499	Crankshaft Assembly	1	
15	261076	Woodruff Key	1	
16	261612	Cap Screw	3	M5 x 30
17	261486	Crankcase	1	
18	261492	Oil Seal	1	ISCD12287
19	055185	Snap Ring	1	H28
20	261491	Bearing	2	#6001C3
21	261386	Oil Seal	1	ISCD12227
22	264104	Fan Cover	1	
23	261786	Plug	1	
24	264587	Clutch Assembly	1	Includes 25~30
25	264503	Clutch Shoes/Spring	1	Includes 26, 27
26	264504	Clutch Shoe	2	(2) Required
27	263614	Clutch Spring	1	
28	264505	Bolt	2	
29	261777	Wave Washer	2	
30	261189	Washer	2	ø6 x ø16.5 x t1.2
31	261417	Rotor Nut	1	M8
32	261355	Ignition Assembly	1	Includes 33~41
33	261356	Flywheel	1	
34	261301	Ignition Coil Assy.	1	Includes 35~41
35	261302	Coil	1	
36	261744	Spark Plug Wire Assy	1	Includes 37~39
37	261071	Spark Plug Wire	1	
38	261074	Plug Boot	1	
39	261075	Connector	1	
40	261072	Cap	1	
41	261073	Insulator	1	ø6 x ø6.8 x 80L
42	261256	Cap Screw	2	M4 x 25
43	261078	Spacer	2	
44	261200	Spark Plug	1	NGK BPM6Y
45	261202	Grommet	1	
46	261772	Coil Ground Wire	2	
47	261250	Cap Screw	4	M5 x 20
48	262394	Muffler Cover	1	
49	261246	Cap Screw	4	M5 x 25
50	261368	Deflector	1	
51	261986	Deflector Plate	1	
52	262393	Muffler Body	1	
53	262395	Spark Arrestor	1	
54	089596	Tapping Screw	1	M3 x 10

Ref No.	Part No.	Description	Q'ty	Remarks
55	261478	Gasket	1	
56	261607	Cap Screw	1	M5 x 16
57	261171	Gasket	2	
58	261476	Air Duct	1	
59	261938	Insulator	1	
60	262039	Rewind Starter Assy	1	Includes 61~68
61	262922	Screw	1	
62	261720	Pulley	1	
63	261721	Rewind Spring	1	
64	081028	Nut	2	M5
65	262040	Starter Case	1	Includes 64
66	261723	Rope & Grip	1	Includes 67, 68
67	261725	Starter Grip	1	
68	261724	Starter Rope	1	ø3 x 890L
69	261257	Cap Screw	1	M4 x 16
70	264135	Label	1	
71	262415	Stand	1	
72	261607	Cap Screw	2	M5 x 16
73	263475	Starter Pawl Assy	1	Includes 74~76
74	263476	Pawl Case	1	
75	261728	Return Spring	1	
76	263477	Pawl	1	
77	262100	Label	1	MARUYAMA
78	262129	Instruction Card	1	

Model ED261 Carburetor and Fuel Tank Assembly



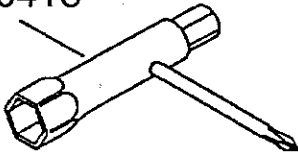
Model ED261 Carburetor and Fuel Tank Assembly

Ref No.	Part No.	Description	Q'ty	Remarks
1	261755	Carburetor Assembly	1	Includes 2~28
2	261871	O-Ring	1	
3	262121	Main Jet	1	#41
4	261637	Gasket	1	
5	261638	Fuel Pump Diaphragm	1	
6	263290	Pump Body	1	
7	261642	Gasket	1	
8	261873	Metering Diaphragm	1	
9	262496	Diaphragm Body	1	
10	261644	Primer Diaphragm	1	
11	261650	Retainer	1	
12	261649	Spring	1	
13	264209	Purge Body	1	
14	264211	Primer Bulb	1	
15	264210	Cover Plate	1	
16	263251	Screw	4	
17	261876	E-Ring	1	
18	261651	Throttle Valve Assy	1	
19	261652	Plug	1	
20	261658	Swivel	1	
21	261875	Screw	2	
22	261659	Bracket	1	
23	261878	Nut	1	
24	263994	Adapter	1	
25	261653	Injection Button	1	
26	261655	O-Ring	1	
27	261656	Spring	1	
28	261657	Packing	1	
29	261864	Gasket	1	
30	261090	Air Filter Plate	1	
31	262447	Air Filter Assembly	1	Includes 32~36

Ref No.	Part No.	Description	Q'ty	Remarks
32	261598	Foam Element	1	
33	261734	Snap Ring	1	#5
34	261913	Air Filter Cover	1	
35	261018	Knob	1	
36	261993	Screen	1	
37	261814	Cap Screw	1	M5 x 50
38	261803	Label	1	
39	261962	Fuel Tank Assembly	1	Includes 40~61
40	261963	Fuel Tank	1	
41	261584	Fuel Tank Cap Assy	1	Includes 42, 43
42	261105	Gasket	1	
43	261104	Fuel Tank Cap	1	
44	261696	Breather Assembly	1	Includes 45~47
45	261590	Breather	1	
46	261698	Clip	1	
47	261697	Grommet	1	
48	263800	Fuel Pipe Pick-up	1	Includes 49~59
49	264031	Fuel Pipe Assembly	1	Includes 50~52
50	261115	Grommet	1	
51	261690	Fuel Pipe	1	
52	263038	Return Pipe	1	ø3 x ø5 x 80L
53	261117	Clip	1	
54	261797	Fuel Filter Assembly	1	Includes 55~59
55	261798	Clip	1	
56	261802	Retainer	1	
57	261800	Filter	2	
58	261801	Packing	1	
59	261799	Body	1	
60	261118	Pad	2	
61	261119	Pad	1	
62	261117	Clip	1	

Accessories

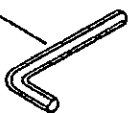
210418



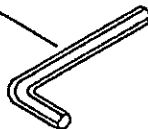
219431



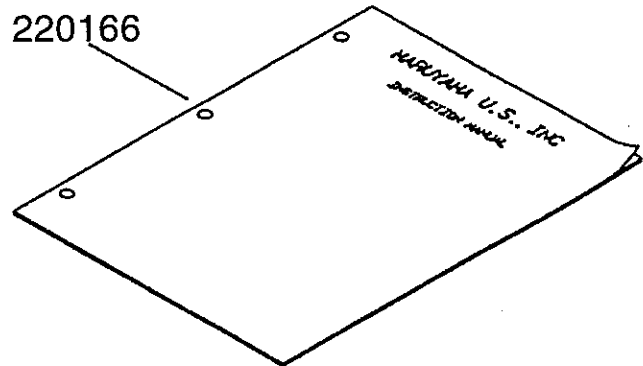
219432



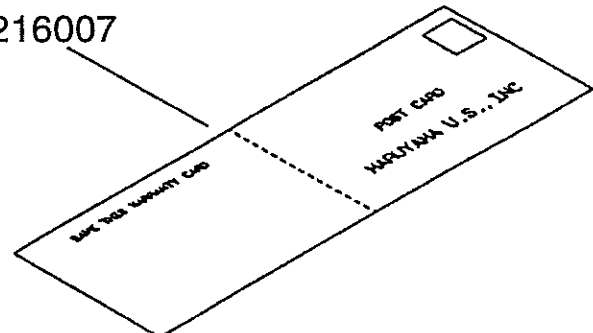
219433



220166



216007





Maruyama U.S., Inc.
3570 Shelby Lane
Denton, TX 76207
940-383-7400 voice
940-383-7466 fax

www.maruyama-us.com