

# PARTS LIST

## BCF42HTR

### CONTENTS

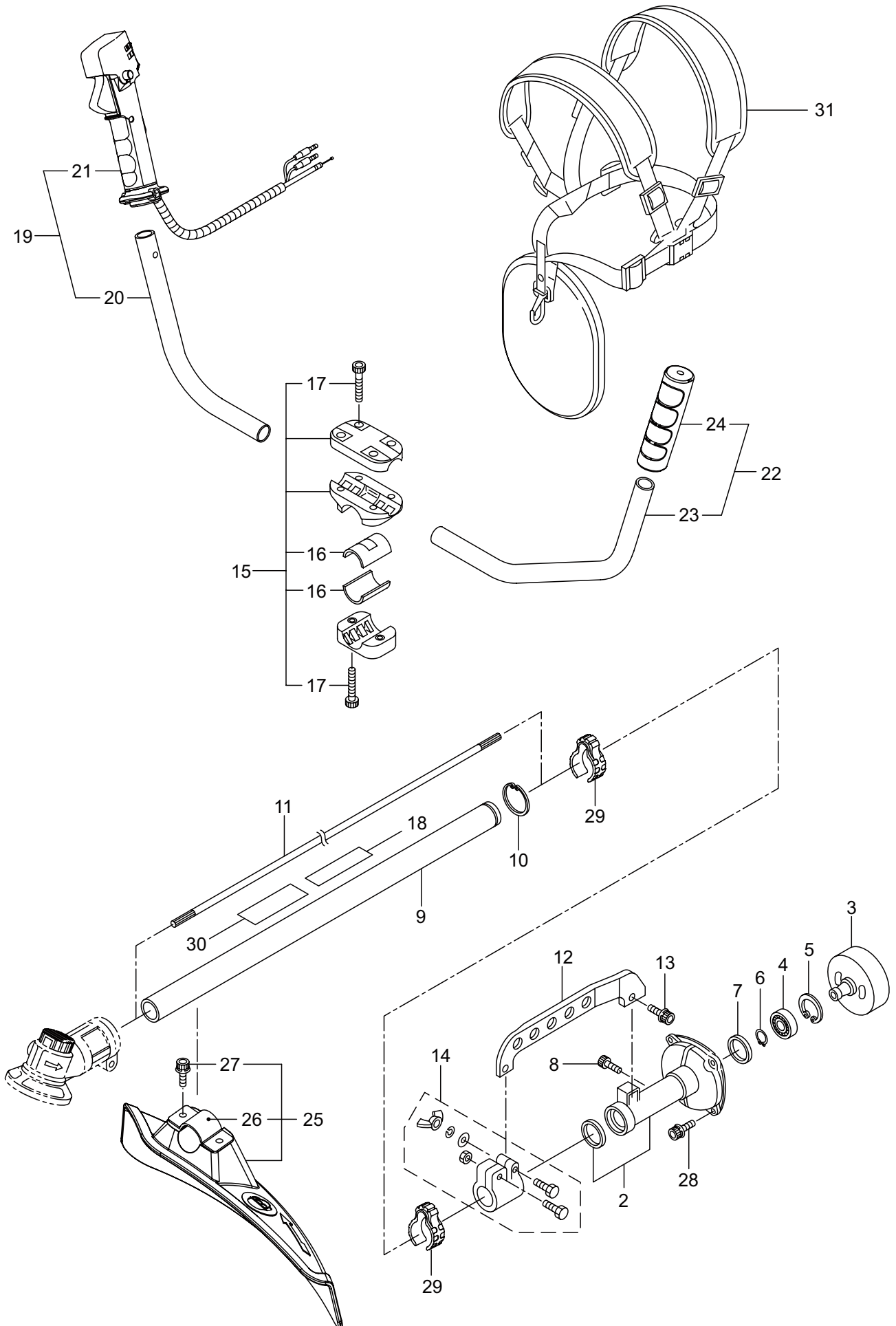
|                                |         |
|--------------------------------|---------|
| 1. MAIN BODY .....             | 1 ~ 2   |
| 2. GEARCASE.....               | 3 ~ 4   |
| 3. ENGINE.....                 | 5 ~ 8   |
| 4. CARBURETOR, FUEL TANK ..... | 9 ~ 10  |
| 5. ACCESSORIES .....           | 11 ~ 12 |

2016. 04.



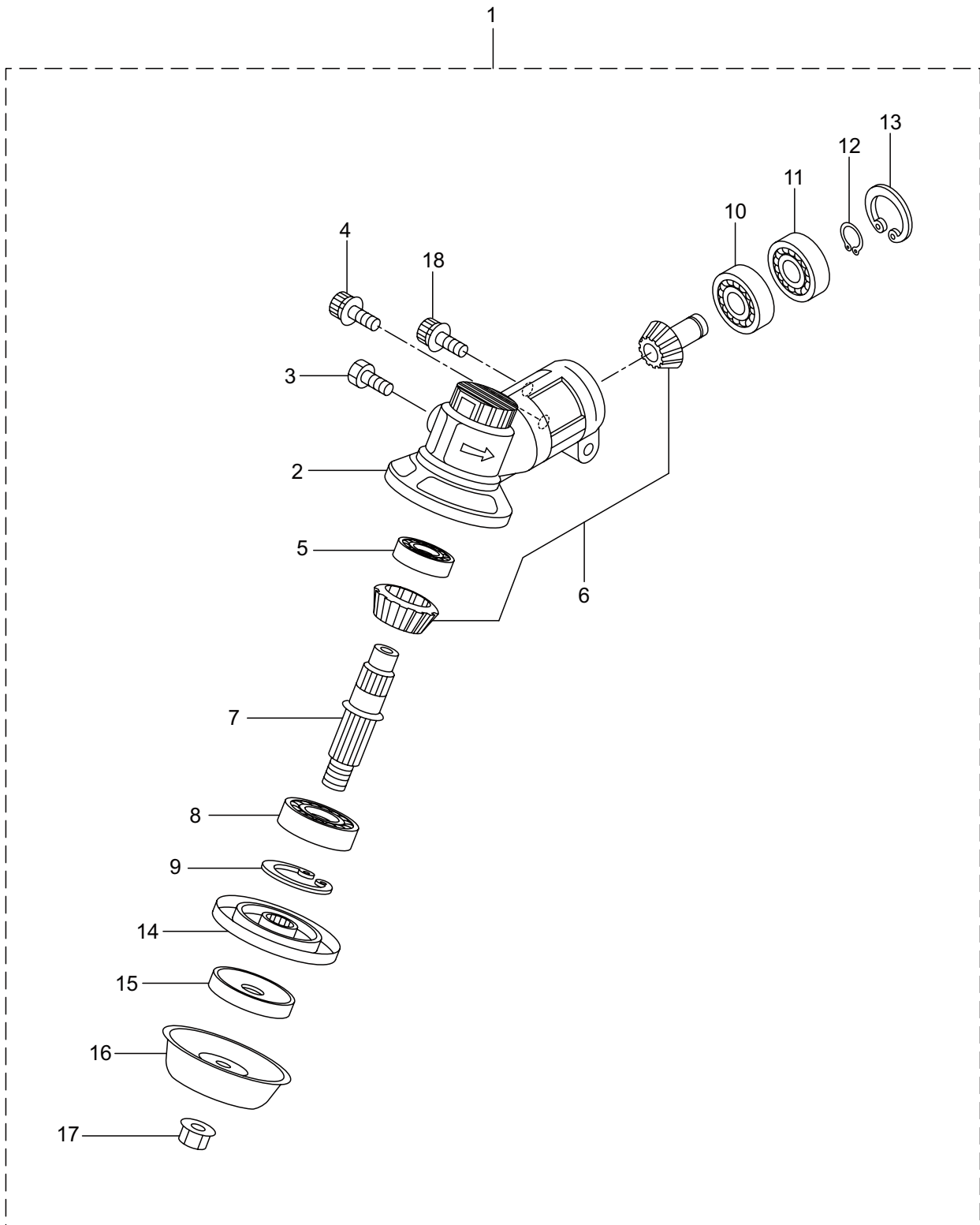
P/N 524311

1. BCF42HTR  
MAIN BODY



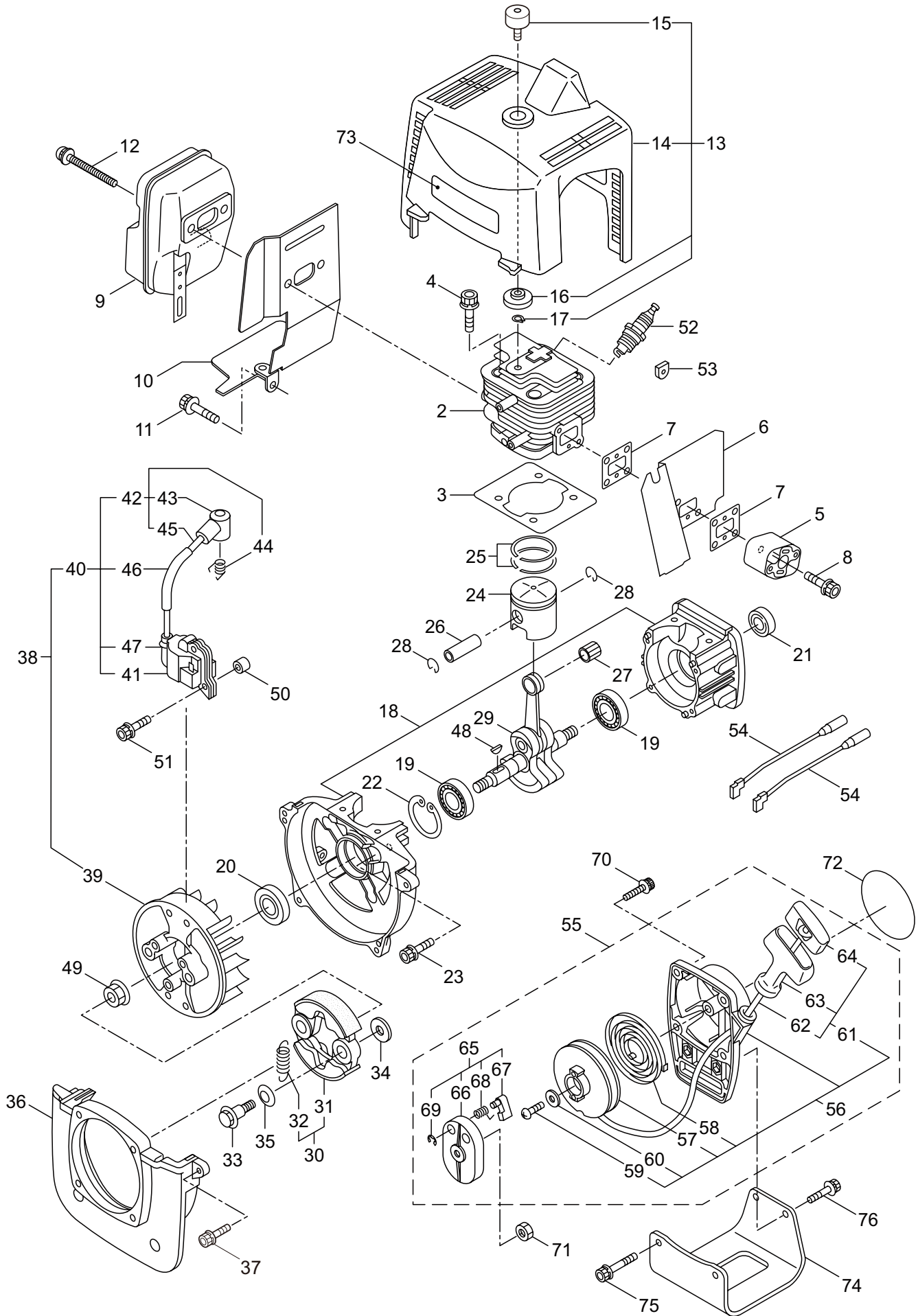
| Ref. No. | Part No. | Part Name             | Q'ty | Remarks    |
|----------|----------|-----------------------|------|------------|
| 1-1      | 364619   | BCF42HTR              | 1    |            |
| 1-2      | 228014   | Clutch Case Ass'y     | 1    |            |
| 1-3      | 227969   | Clutch Drum           | 1    |            |
| 1-4      | 140474   | Bearing               | 1    | #620ZZ     |
| 1-5      | 012380   | Snap Ring             | 1    | #35        |
| 1-6      | 012384   | Snap Ring             | 1    | #15        |
| 1-7      | 227968   | Spacer                | 1    |            |
| 1-8      | 232844   | Bolt                  | 1    | M6x10      |
| 1-9      | 239016   | Driveshaft Tube       | 1    |            |
| 1-10     | 228001   | Snap Ring             | 1    | IRTW30     |
| 1-11     | 227963   | Driveshaft            | 1    |            |
| 1-12     | 227970   | Arm                   | 1    |            |
| 1-13     | 239017   | Cap Screw             | 1    | M6x20      |
| 1-14     | 232777   | Swivel Clamping Ass'y | 1    |            |
| 1-15     | 239018   | Bracket Ass'y         | 1    | Incl.16,17 |
| 1-16     | 239023   | Clamp Rubber          | 2    |            |
| 1-17     | 239042   | Cap Screw             | 6    | M6x25      |
| 1-18     | 228022   | Label                 | 1    | Caution    |
| 1-19     | 229729   | Handle Ass'y-Right    | 1    | Incl.20,21 |
| 1-20     | 229730   | Right Handle          | 1    |            |
| 1-21     | 229731   | Throttle Trigger      | 1    |            |
| 1-22     | 239032   | Handle Ass'y-Left     | 1    | Incl.23,24 |
| 1-23     | 239033   | Left Handle           | 1    |            |
| 1-24     | 239034   | Grip                  | 1    |            |
| 1-25     | 232780   | Safety Cover Ass'y    | 1    | Incl.26,27 |
| 1-26     | 228027   | Bracket               | 1    |            |
| 1-27     | 238298   | Cap Screw             | 2    | M6x28      |
| 1-28     | 232845   | Bolt                  | 4    | M6x25      |
| 1-29     | 239037   | Clamp                 | 2    |            |
| 1-30     | 239029   | Label                 | 1    | MARUYAMA   |
| 1-31     | 228006   | Shoulder Band Ass'y   | 1    |            |

2. BCF42HTR  
GEARCASE



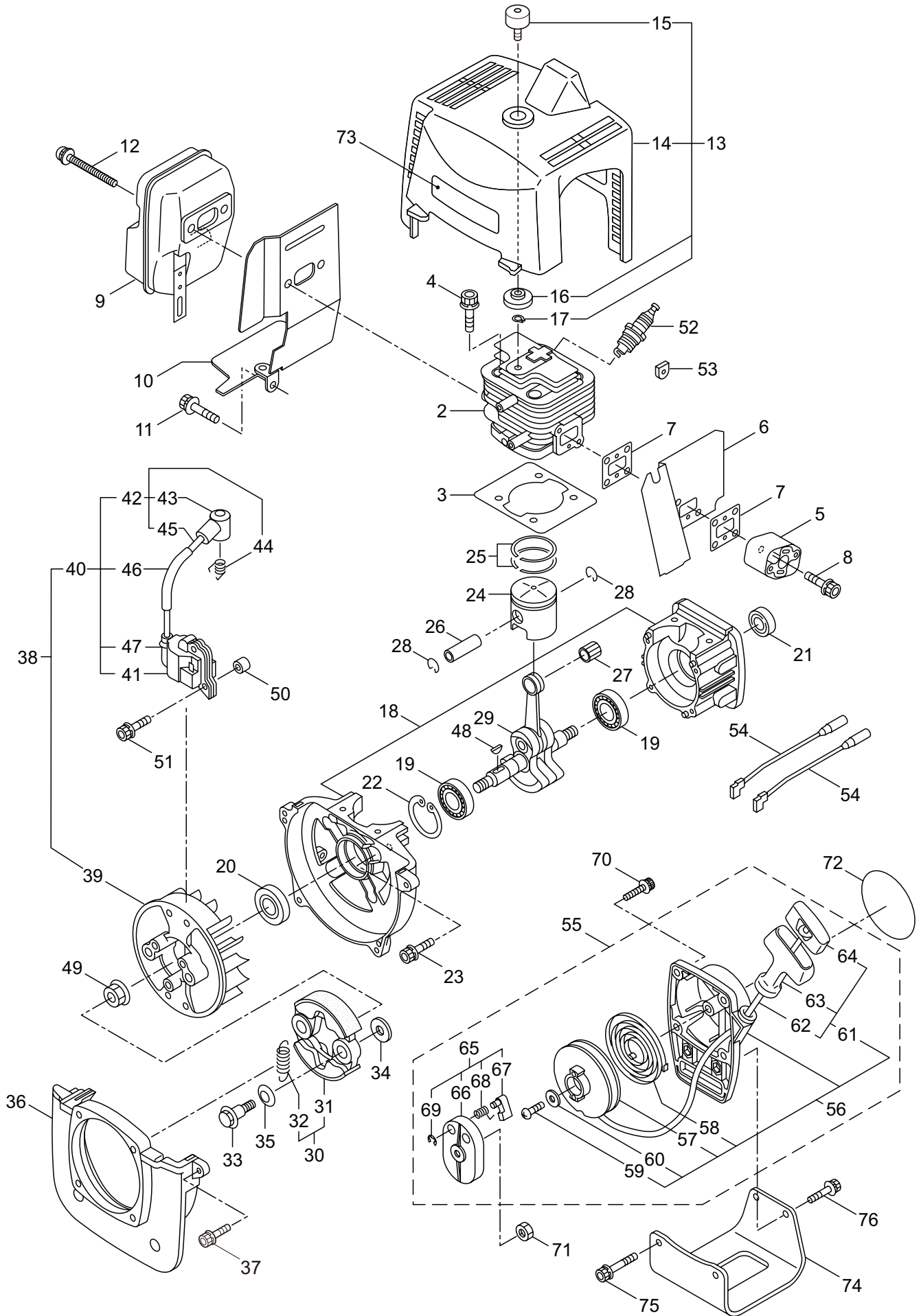
| Ref. No. | Part No. | Part Name            | Q'ty | Remarks   |
|----------|----------|----------------------|------|-----------|
| 2-1      | 239024   | Gearcase Ass'y       | 1    | Incl.2-18 |
| 2-2      | 239025   | Gearcase             | 1    |           |
| 2-3      | 239026   | Bolt                 | 1    | M6x8      |
| 2-4      | 239027   | Cap Screw            | 1    | M6x23     |
| 2-5      | 014490   | Bearing              | 1    | #6000     |
| 2-6      | 228619   | Gear Set             | 1    |           |
| 2-7      | 228020   | Blade Shaft          | 1    |           |
| 2-8      | 219895   | Bearing              | 1    | #6002 2RS |
| 2-9      | 016732   | Snap Ring            | 1    | #32       |
| 2-10     | 019585   | Bearing              | 1    | #6001     |
| 2-11     | 058995   | Bearing              | 1    | #6001Z    |
| 2-12     | 055186   | Snap Ring            | 1    | #12       |
| 2-13     | 055185   | Snap Ring            | 1    | #28       |
| 2-14     | 228003   | Blade Holder-A Ass'y | 1    |           |
| 2-15     | 228004   | Blade Holder-B       | 1    |           |
| 2-16     | 227960   | Nut Cover            | 1    |           |
| 2-17     | 227961   | Blade Locking Nut    | 1    |           |
| 2-18     | 239028   | Cap Screw            | 1    | M5x12     |

### 3. BCF42HTR ENGINE



| Ref. No. | Part No. | Part Name                 | Q'ty | Remarks             |
|----------|----------|---------------------------|------|---------------------|
| 3-1      | 859958   | Engine                    | 1    | AE420/122           |
| 3-2      | 262544   | Cylinder                  | 1    | New gasket required |
| 3-3      | 262546   | Gasket                    | 1    |                     |
| 3-4      | 261246   | Cap Screw                 | 4    | M5x25               |
| 3-5      | 262548   | Insulator                 | 1    | New gasket required |
| 3-6      | 262550   | Air Duct                  | 1    |                     |
| 3-7      | 262790   | Gasket                    | 2    |                     |
| 3-8      | 265924   | Cap Screw                 | 2    | M5x25               |
| 3-9      | 269080   | Muffler                   | 1    |                     |
| 3-10     | 262617   | Gasket                    | 1    |                     |
| 3-11     | 261607   | Cap Screw                 | 1    | M5x16               |
| 3-12     | 262687   | Cap Screw                 | 2    | M6x65               |
| 3-13     | 285981   | Top Cover Ass'y           | 1    | Incl.14-17          |
| 3-14     | 265343   | Top Cover                 | 1    | New label required  |
| 3-15     | 285843   | Knob                      | 1    |                     |
| 3-16     | 262689   | Spacer                    | 1    |                     |
| 3-17     | 262690   | Snap Ring                 | 1    | #6                  |
| 3-18     | 262558   | Crankcase                 | 1    |                     |
| 3-19     | 262658   | Bearing                   | 2    | #6202C3             |
| 3-20     | 262660   | Oil Seal                  | 1    | TC15357             |
| 3-21     | 262565   | Oil Seal                  | 1    | ISCD15257           |
| 3-22     | 012380   | Snap Ring                 | 1    | #35                 |
| 3-23     | 261999   | Cap Screw                 | 4    | M5x40               |
| 3-24     | 281299   | Piston                    | 1    |                     |
| 3-25     | 262476   | Piston Ring               | 2    | (2)Required         |
| 3-26     | 262749   | Piston Pin                | 1    |                     |
| 3-27     | 262659   | Bearing,Needle            | 1    | KTV111414EG01B2     |
| 3-28     | 262479   | Clip,Piston Pin           | 2    |                     |
| 3-29     | 280534   | Crankshaft/Conn.Rod Ass'y | 1    |                     |
| 3-30     | 262577   | Clutch Ass'y              | 1    | Incl.31,32          |
| 3-31     | 282624   | Clutch Shoe               | 2    | (2)required         |
| 3-32     | 263615   | Spring,Clutch             | 1    |                     |
| 3-33     | 282321   | Cap Screw                 | 2    | M8x1.25             |
| 3-34     | 262683   | Washer                    | 2    | 8x22xt1.2           |
| 3-35     | 262682   | Wave Washer               | 2    |                     |
| 3-36     | 281345   | Fan Cover                 | 1    |                     |
| 3-37     | 261250   | Cap Screw                 | 2    | M5x20               |
| 3-38     | 267576   | Magneto Ass'y             | 1    | Incl.39-47          |
| 3-39     | 264673   | Rotor/Fan                 | 1    |                     |
| 3-40     | 267579   | Ignition Coil Ass'y       | 1    | Incl.41-47          |
| 3-41     | 267572   | Coil                      | 1    |                     |
| 3-42     | 267584   | Spark Plug Wire Ass'y     | 1    | Incl.43-45          |
| 3-43     | 261074   | Plug Boot                 | 1    |                     |
| 3-44     | 261075   | Connector                 | 1    |                     |
| 3-45     | 267585   | Spark Plug Wire           | 1    |                     |

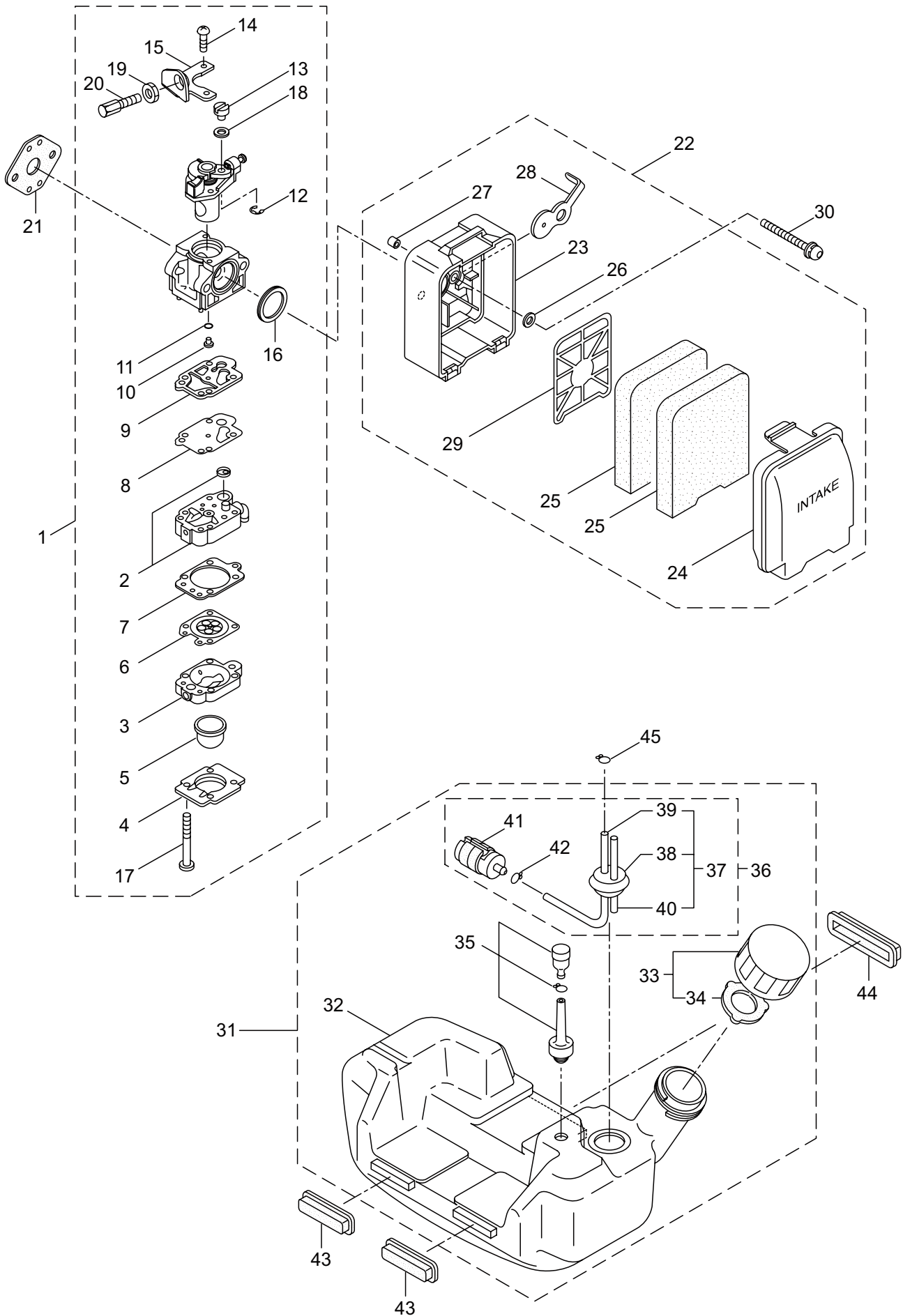
### 3. BCF42HTR ENGINE





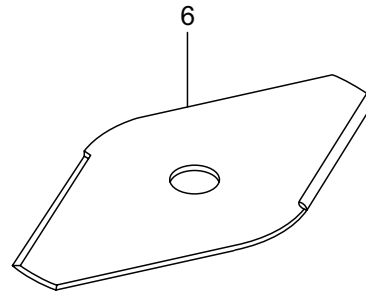
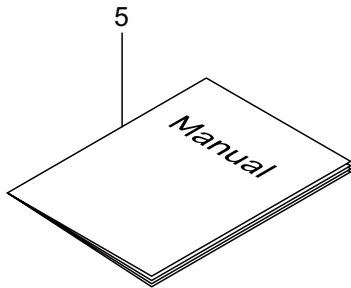
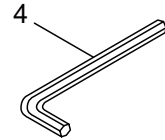
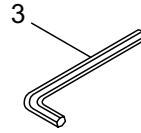
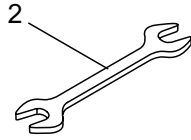
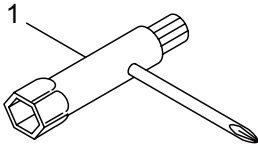
| Ref. No. | Part No. | Part Name            | Q'ty | Remarks        |
|----------|----------|----------------------|------|----------------|
| 3-46     | 269421   | Insulator            | 1    |                |
| 3-47     | 261072   | Cap                  | 1    |                |
| 3-48     | 261076   | Woodruff Key         | 1    | 3x10           |
| 3-49     | 262731   | Nut,Rotor            | 1    | M10            |
| 3-50     | 280381   | Spacer               | 2    |                |
| 3-51     | 261256   | Cap Screw            | 2    | M4x25          |
| 3-52     | 261200   | Spark Plug           | 1    | NGK BPM6Y      |
| 3-53     | 261202   | Grommet              | 1    |                |
| 3-54     | 267519   | Wire, Lead           | 2    |                |
| 3-55     | 263525   | Recoil Starter Ass'y | 1    | Incl.56-69     |
| 3-56     | 263526   | Recoil Ass'y         | 1    | Incl.57-64     |
| 3-57     | 262626   | Pulley               | 1    |                |
| 3-58     | 262627   | Spiral Spring        | 1    |                |
| 3-59     | 262629   | Screw                | 1    |                |
| 3-60     | 262982   | Washer               | 1    |                |
| 3-61     | 262631   | Rope Ass'y           | 1    | Incl.62-64     |
| 3-62     | 262632   | Starter Rope         | 1    |                |
| 3-63     | 262633   | Starter Grip         | 1    |                |
| 3-64     | 262981   | Cap                  | 1    |                |
| 3-65     | 262634   | Starter Pawl Ass'y   | 1    | Incl.66-69     |
| 3-66     | 262635   | Pawl Case            | 1    |                |
| 3-67     | 262636   | Pawl                 | 1    |                |
| 3-68     | 262637   | Return Spring        | 1    |                |
| 3-69     | 262638   | E-Ring               | 1    |                |
| 3-70     | 282096   | Cap Screw            | 4    | M4x16WSW       |
| 3-71     | 126990   | Nut                  | 1    | M8             |
| 3-72     | 280777   | Label                | 1    | MARUYAMA AE420 |
| 3-73     | 277202   | Label                | 1    | BCF42HTR       |
| 3-74     | 263281   | Stand                | 1    |                |
| 3-75     | 268270   | Cap Screw            | 2    | M5x40          |
| 3-76     | 261607   | Cap Screw            | 2    | M5x16          |

4. BCF42HTR  
CARBURETOR, FUEL TANK



| Ref. No. | Part No. | Part Name               | Q'ty | Remarks                       |
|----------|----------|-------------------------|------|-------------------------------|
| 4-1      | 268977   | Carburetor Ass'y        | 1    | Incl.2-20 New gasket required |
| 4-2      | 263739   | Pump Body               | 1    |                               |
| 4-3      | 262991   | Purge Body              | 1    |                               |
| 4-4      | 262992   | Cover Plate             | 1    |                               |
| 4-5      | 261874   | Primer Bulb             | 1    |                               |
| 4-6      | 261873   | Diaphragm,Metering      | 1    |                               |
| 4-7      | 262993   | Gasket                  | 1    |                               |
| 4-8      | 262994   | Diaphragm,Fuel Pump     | 1    |                               |
| 4-9      | 282576   | Gasket                  | 1    |                               |
| 4-10     | 263247   | Main Jet                | 1    | #50                           |
| 4-11     | 261871   | O-Ring                  | 1    |                               |
| 4-12     | 261876   | E-Ring                  | 1    |                               |
| 4-13     | 261658   | Swivel                  | 1    |                               |
| 4-14     | 261875   | Screw                   | 2    |                               |
| 4-15     | 264677   | Bracket                 | 1    |                               |
| 4-16     | 261657   | Packing                 | 1    |                               |
| 4-17     | 262996   | Screw                   | 4    |                               |
| 4-18     | 264678   | Washer                  | 1    |                               |
| 4-19     | 261878   | Nut                     | 1    |                               |
| 4-20     | 263994   | Adapter                 | 1    |                               |
| 4-21     | 262587   | Gasket                  | 1    |                               |
| 4-22     | 263520   | Air Filter Ass'y        | 1    | Incl.23-29                    |
| 4-23     | 263723   | Housing                 | 1    |                               |
| 4-24     | 263713   | Air Filter Cover        | 1    |                               |
| 4-25     | 263714   | Foam Element            | 2    |                               |
| 4-26     | 263000   | Washer                  | 1    |                               |
| 4-27     | 263715   | Sleeve                  | 2    |                               |
| 4-28     | 263007   | Choke Valve             | 1    |                               |
| 4-29     | 263717   | Screen                  | 1    |                               |
| 4-30     | 261814   | Cap Screw               | 2    | M5x50                         |
| 4-31     | 264761   | Fuel Tank Ass'y         | 1    | Incl.32-42                    |
| 4-32     | 264760   | Fuel Tank               | 1    |                               |
| 4-33     | 261584   | Fuel Tank Cap Ass'y     | 1    | Incl.34                       |
| 4-34     | 261105   | Gasket                  | 1    |                               |
| 4-35     | 261696   | Breather Ass'y          | 1    |                               |
| 4-36     | 262645   | Fuel Pipe Pick-up Ass'y | 1    | Incl.37-42                    |
| 4-37     | 262646   | Fuel Pipe Ass'y         | 1    | Incl.38-40                    |
| 4-38     | 261115   | Grommet                 | 1    |                               |
| 4-39     | 262649   | Fuel Pipe               | 1    |                               |
| 4-40     | 263038   | Return Pipe             | 1    | 3x6x85L                       |
| 4-41     | 267328   | Fuel Filter Ass'y       | 1    |                               |
| 4-42     | 261117   | Clip                    | 1    |                               |
| 4-43     | 261119   | Pad                     | 2    |                               |
| 4-44     | 262697   | Pad                     | 1    |                               |
| 4-45     | 261117   | Clip                    | 1    |                               |

5. BCF42HTR  
ACCESSORIES



| Ref. No. | Part No. | Part Name          | Q'ty | Remarks |
|----------|----------|--------------------|------|---------|
| 5-1      | 232848   | Box Spanner        | 1    |         |
| 5-2      | 228009   | Spanner            | 1    | 8x10    |
| 5-3      | 219432   | Wrench             | 1    | 4mm     |
| 5-4      | 239036   | Wrench             | 1    | 5mm     |
| 5-5      | 239056   | Instruction Manual | 1    |         |
| 5-6      | 213055   | Mowing Blade       | 1    |         |