

PARTS LIST

BCF42HT

CONTENTS

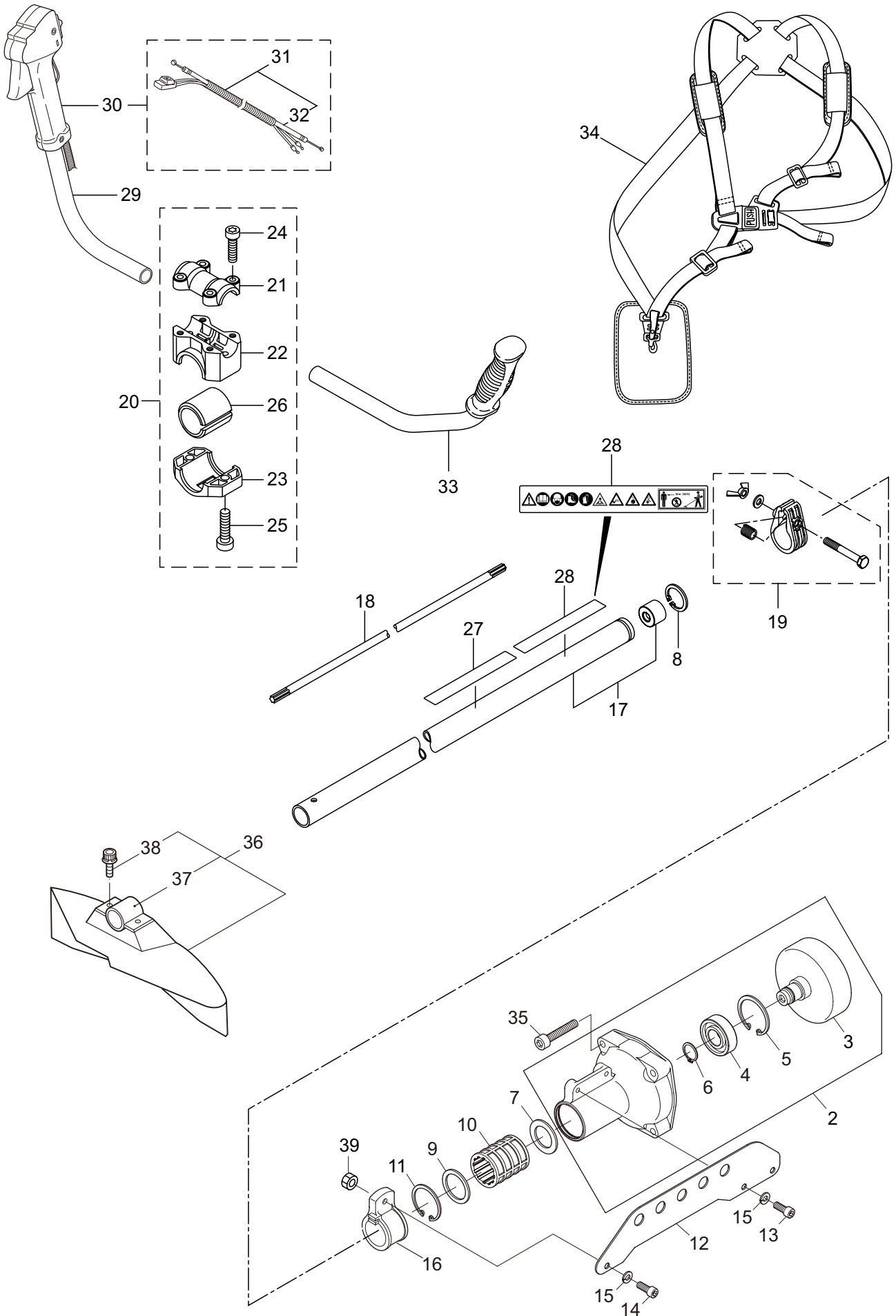
1. MAIN BODY	1 ~ 2
2. GEARCASE.....	3 ~ 4
3. ENGINE.....	5 ~ 8
4. CARBURETOR, FUEL TANK	9 ~ 10
5. ACCESSORIES	11 ~ 12

2014. 08.



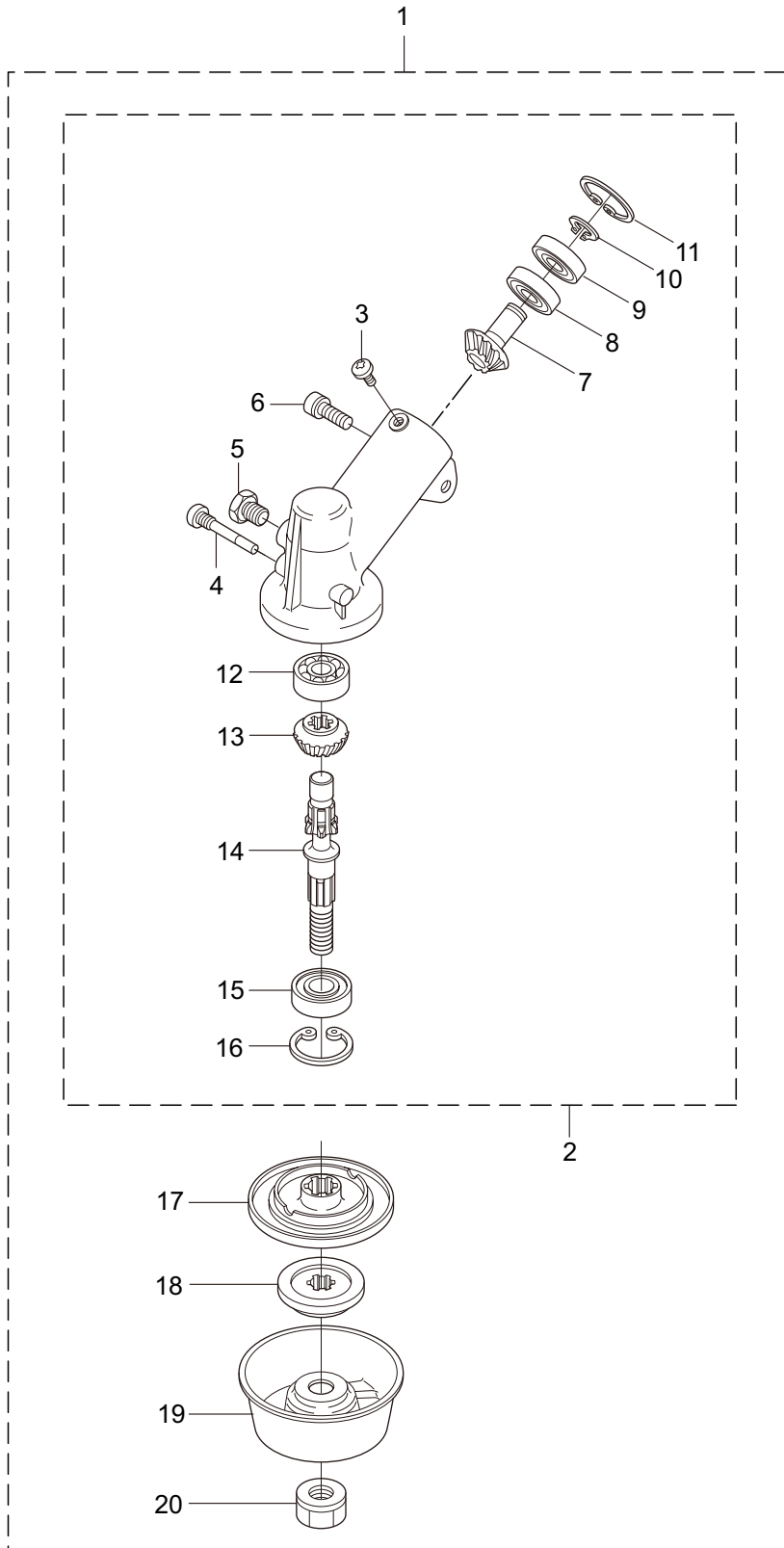
P/N 523866

1. BCF42HT
MAIN BODY



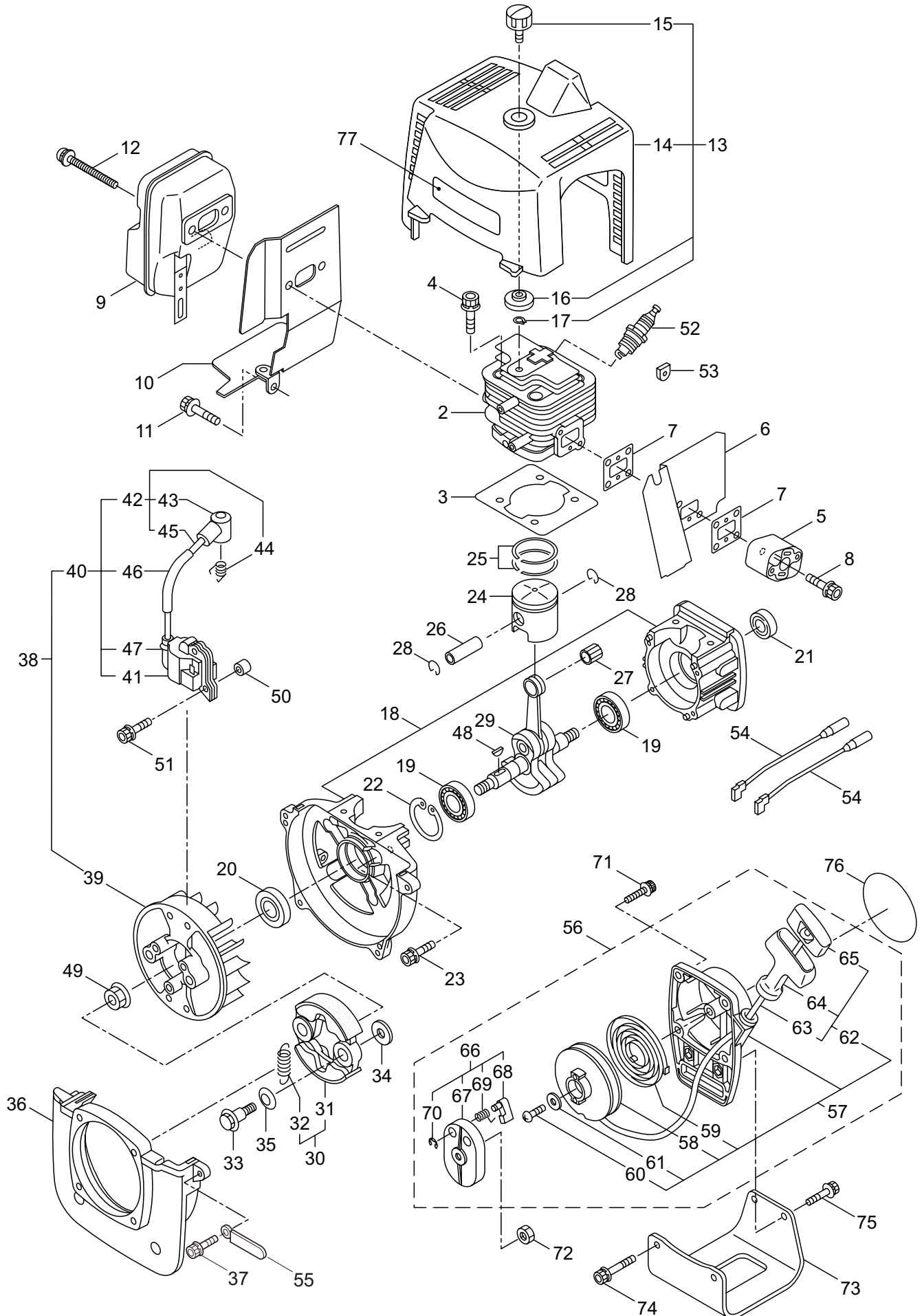
Ref. No.	Part No.	Part Name	Q'ty	Remarks
1-1	364423	BCF42HT	1	
1-2	236845	Clutch Case Ass'y	1	Incl.3-6
1-3	236428	Clutch Drum	1	
1-4	236429	Bearing	1	#6203ZZ
1-5	012381	Snap Ring	1	#40
1-6	047331	Snap Ring	1	#17
1-7	236847	Washer A	1	24x37.4xt2.0
1-8	236431	Snup Ring	1	#28
1-9	236848	Washer B	1	28.2x37.4xt2.0
1-10	236881	Bush	1	
1-11	236882	Snap Ring	1	#38
1-12	236883	Hanger	1	
1-13	236884	Cap Screw	2	M6x16
1-14	236885	Cap Screw	1	M6x14
1-15	236886	Spring Washer	3	M6
1-16	236887	Holder	1	
1-17	236888	Driveshaft Tube	1	28xt2.0x1500L
1-18	236890	Driveshaft	1	8x1544L SP
1-19	236443	Stopper Ass'y	1	
1-20	236444	Bracket Ass'y	1	Incl.21-26
1-21	236445	Bracket A	1	
1-22	236446	Bracket B	1	
1-23	236447	Bracket C	1	
1-24	236448	Cap Screw	4	M5x20
1-25	236449	Cap Screw	2	M6x25
1-26	236451	Buffer	1	
1-27	236475	Label	1	MARUYAMA
1-28	236510	Label	1	
1-29	236501	Right Handle	1	
1-30	236502	Throttle Trigger	1	Incl.31,32
1-31	236656	Switch Ass'y	1	Incl.32
1-32	236657	Throttle Wire	1	
1-33	236481	Handle Ass'y-Left	1	
1-34	236487	Hanging Strap Ass'y	1	
1-35	236493	Cap Screw	4	M6x30
1-36	232780	Safety Cover Ass'y	1	Incl.37,38
1-37	228027	Bracket	1	
1-38	217134	Bolt	2	M6x30
1-39	236924	Nut	1	M6

2. BCF42HT
GEARCASE



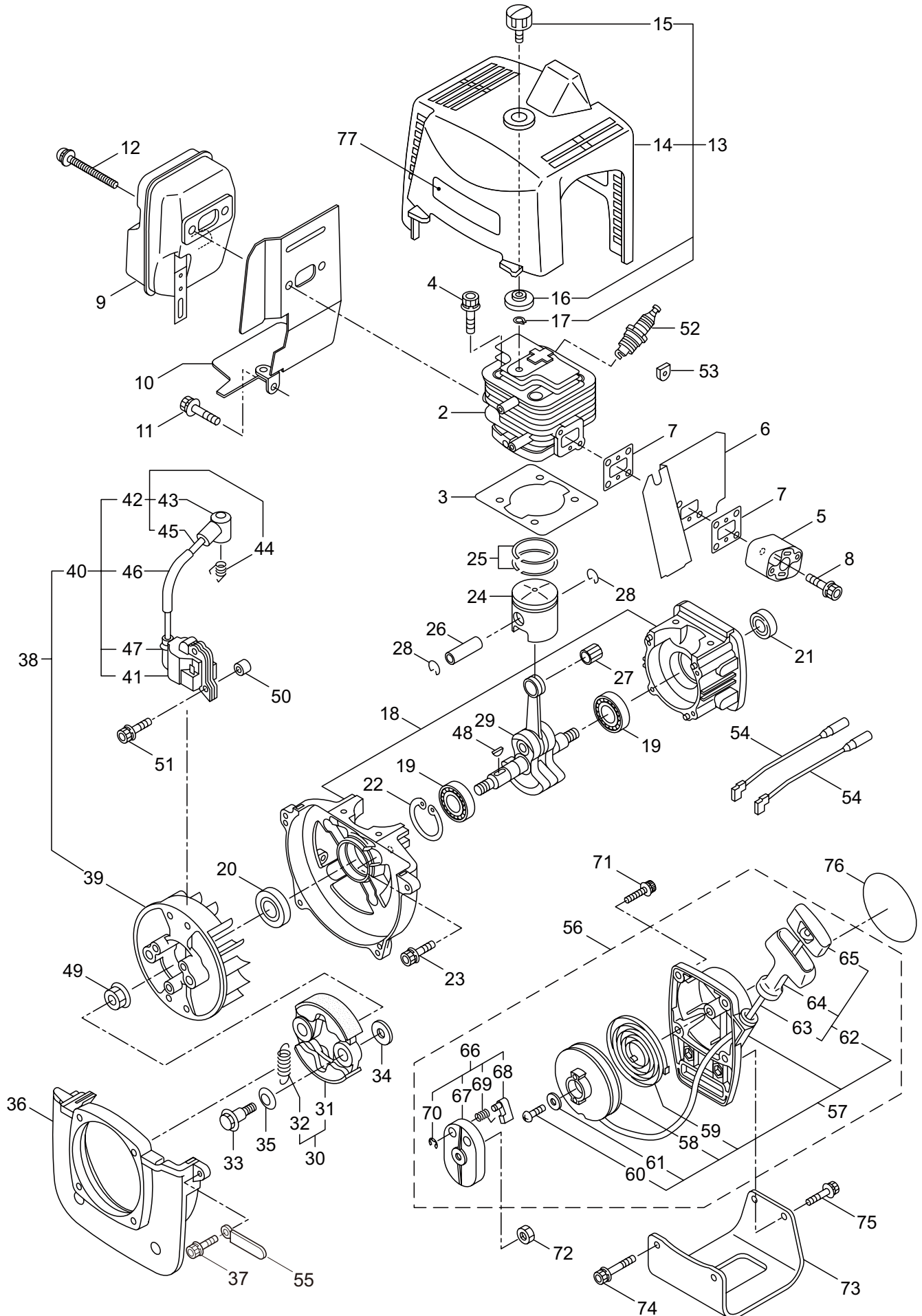
Ref. No.	Part No.	Part Name	Q'ty	Remarks
2-1	236900	Gearcase Ass'y	1	Incl.2-20
2-2	236901	Gearcase Ass'y	1	Incl.3-16
2-3	236891	Screw	1	M5x10
2-4	236892	Bolt	1	
2-5	236893	Plug	1	
2-6	236894	Cap Screw	1	M6x20
2-7	236895	Pinion, Bevel	1	
2-8	236896	Bearing	1	#6902
2-9	236897	Bearing	1	#6902Z
2-10	236898	Snap Ring	1	#15
2-11	055185	Snap Ring	1	#28
2-12	236463	Bearing	1	#6000
2-13	236899	Gear	1	
2-14	236903	Shaft, Gear	1	
2-15	236904	Bearing	1	#6002LLU
2-16	016732	Snap Ring	1	#32
2-17	236905	Blade Holder-A Ass'y	1	
2-18	236908	Blade Holder-B	1	
2-19	236909	Nut Cover	1	
2-20	236474	Blade Locking Nut	1	M12x1.5

3. BCF42HT ENGINE



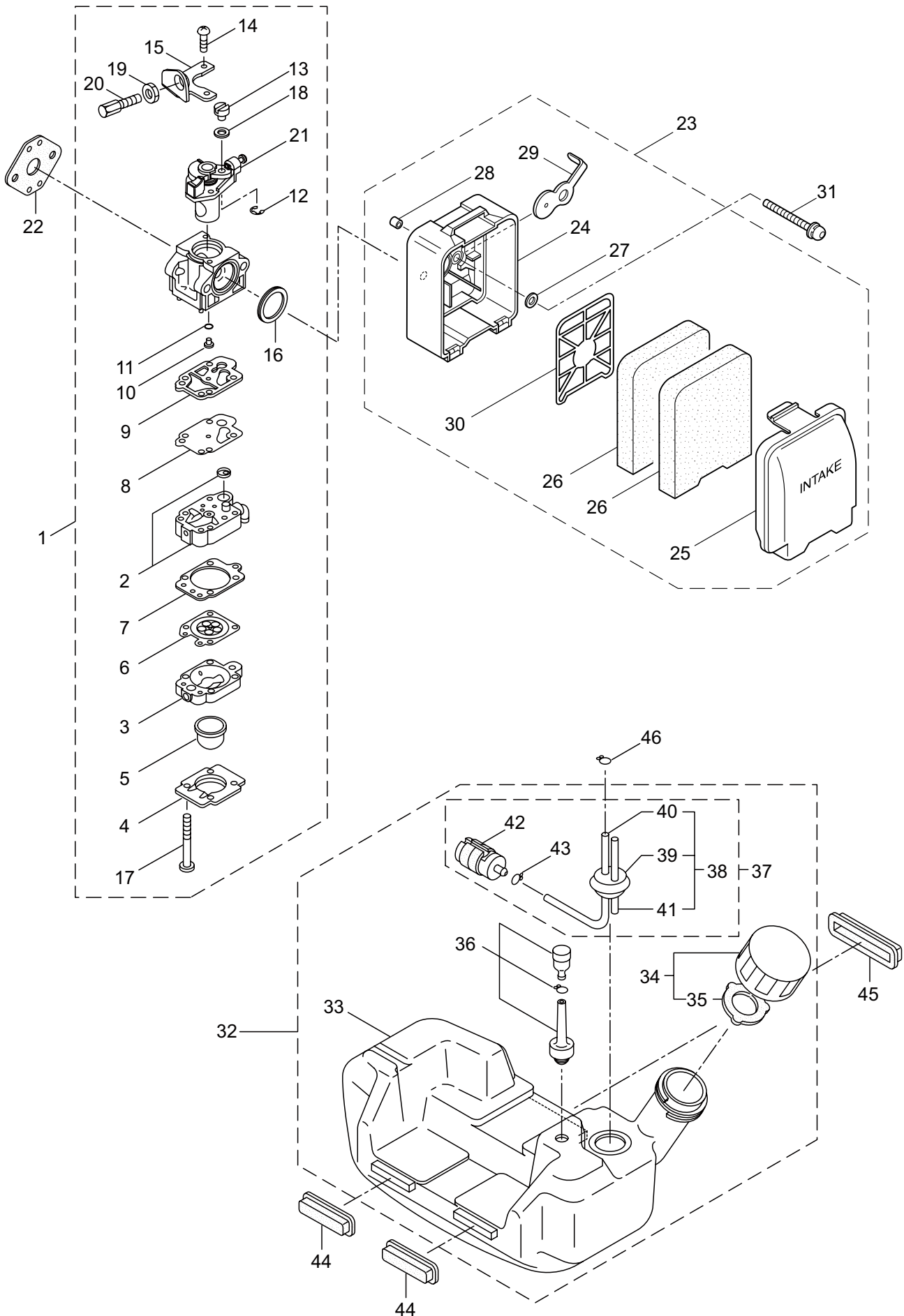
Ref. No.	Part No.	Part Name	Q'ty	Remarks
3-1	859667	Engine	1	AE420/115
3-2	262544	Cylinder	1	New gasket required
3-3	262546	Gasket	1	
3-4	261246	Cap Screw	4	M5x25
3-5	262548	Insulator	1	New gasket required
3-6	262550	Air Duct	1	
3-7	262790	Gasket	2	
3-8	265924	Cap Screw	2	M5x25
3-9	269080	Muffler	1	
3-10	262617	Gasket	1	
3-11	261607	Cap Screw	1	M5x16
3-12	262687	Cap Screw	2	M6x65
3-13	265342	Top Cover Ass'y	1	Incl.14-17
3-14	265343	Top Cover	1	New label required
3-15	262556	Knob	1	
3-16	262689	Spacer	1	
3-17	262690	Snap Ring	1	#6
3-18	262558	Crankcase	1	
3-19	262658	Bearing	2	#6202C3
3-20	262660	Oil Seal	1	TC15357
3-21	262565	Oil Seal	1	ISCD15257
3-22	012380	Snap Ring	1	#35
3-23	261999	Cap Screw	4	M5x40
3-24	281299	Piston	1	
3-25	262476	Piston Ring	2	(2)Required
3-26	262749	Piston Pin	1	
3-27	262659	Bearing,Needle	1	KTV111414EG01B2
3-28	262479	Clip,Piston Pin	2	
3-29	280534	Crankshaft/Conn.Rod Ass'y	1	
3-30	262577	Clutch Ass'y	1	Incl.31,32
3-31	282624	Clutch Shoe	2	(2)required
3-32	263615	Spring,Clutch	1	
3-33	282321	Cap Screw	2	M8x1.25
3-34	262683	Washer	2	8x22xt1.2
3-35	262682	Wave Washer	2	
3-36	281345	Fan Cover	1	
3-37	261250	Cap Screw	2	M5x20
3-38	267576	Magneto Ass'y	1	Incl.39-47
3-39	264673	Rotor/Fan	1	
3-40	267579	Ignition Coil Ass'y	1	Incl.41-47
3-41	267572	Coil	1	
3-42	267584	Spark Plug Wire Ass'y	1	Incl.43-45
3-43	261074	Plug Boot	1	
3-44	261075	Connector	1	
3-45	267585	Spark Plug Wire	1	

3. BCF42HT ENGINE



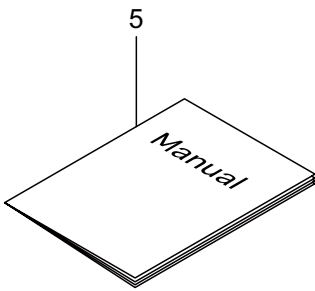
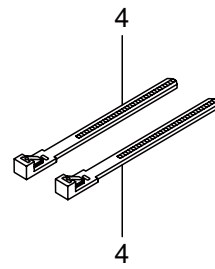
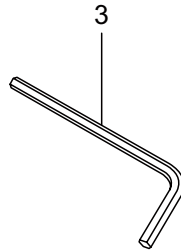
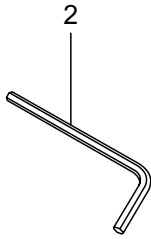
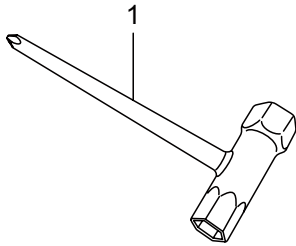
Ref. No.	Part No.	Part Name	Q'ty	Remarks
3-46	269421	Insulator	1	
3-47	261072	Cap	1	
3-48	261076	Woodruff Key	1	3x10
3-49	262731	Nut,Rotor	1	M10
3-50	280381	Spacer	2	
3-51	261256	Cap Screw	2	M4x25
3-52	261200	Spark Plug	1	NGK BPM6Y
3-53	261202	Grommet	1	
3-54	267519	Wire, Lead	2	
3-55	264588	Clamp	1	
3-56	263525	Recoil Starter Ass'y	1	Incl.57-70
3-57	263526	Recoil Ass'y	1	Incl.58-65
3-58	262626	Pulley	1	
3-59	262627	Spiral Spring	1	
3-60	262629	Screw	1	
3-61	262982	Washer	1	
3-62	262631	Rope Ass'y	1	Incl.63-65
3-63	262632	Starter Rope	1	
3-64	262633	Starter Grip	1	
3-65	262981	Cap	1	
3-66	262634	Starter Pawl Ass'y	1	Incl.67-70
3-67	262635	Pawl Case	1	
3-68	262636	Pawl	1	
3-69	262637	Return Spring	1	
3-70	262638	E-Ring	1	
3-71	261257	Cap Screw	4	M4x16
3-72	126990	Nut	1	M8
3-73	263281	Stand	1	
3-74	268270	Cap Screw	2	M5x40
3-75	261607	Cap Screw	2	M5x16
3-76	280777	Label	1	MARUYAMA AE420
3-77	274718	Label	1	BCF42HT JAPAN

4. BCF42HT
CARBURETOR, FUEL TANK



Ref. No.	Part No.	Part Name	Q'ty	Remarks
4-1	268977	Carburetor Ass'y	1	Incl.2-21 New gasket required
4-2	263739	Pump Body	1	
4-3	262991	Purge Body	1	
4-4	262992	Cover Plate	1	
4-5	261874	Primer Bulb	1	
4-6	261873	Diaphragm,Metering	1	
4-7	262993	Gasket	1	
4-8	262994	Diaphragm,Fuel Pump	1	
4-9	282576	Gasket	1	
4-10	263247	Main Jet	1	#50
4-11	261871	O-Ring	1	
4-12	261876	E-Ring	1	
4-13	261658	Swivel	1	
4-14	261875	Screw	2	
4-15	264677	Bracket	1	
4-16	261657	Packing	1	
4-17	262996	Screw	4	
4-18	264678	Washer	1	
4-19	261878	Nut	1	
4-20	263994	Adapter	1	
4-21	264676	Throttle Valve	1	
4-22	262587	Gasket	1	
4-23	263520	Air Filter Ass'y	1	Incl.24-30
4-24	263723	Housing	1	
4-25	263713	Air Filter Cover	1	
4-26	263714	Foam Element	2	
4-27	263000	Washer	1	
4-28	263715	Sleeve	2	
4-29	263007	Choke Valve	1	
4-30	263717	Screen	1	
4-31	261814	Cap Screw	2	M5x50
4-32	264761	Fuel Tank Ass'y	1	Incl.33-43
4-33	264760	Fuel Tank	1	
4-34	261584	Fuel Tank Cap Ass'y	1	Incl.35
4-35	261105	Gasket	1	
4-36	261696	Breather Ass'y	1	
4-37	262645	Fuel Pipe Pick-up Ass'y	1	Incl.38-43
4-38	262646	Fuel Pipe Ass'y	1	Incl.39-41
4-39	261115	Grommet	1	
4-40	262649	Fuel Pipe	1	
4-41	263038	Return Pipe	1	3x6x85L
4-42	267328	Fuel Filter Ass'y	1	
4-43	261117	Clip	1	
4-44	261119	Pad	2	
4-45	262697	Pad	1	
4-46	261117	Clip	1	

5. BCF42HT
ACCESSORIES



Ref. No.	Part No.	Part Name	Q'ty	Remarks
5-1	236489	Box Spanner	1	13x19x(+)
5-2	236490	Wrench	1	4mm
5-3	236491	Wrench	1	5mm
5-4	236492	Band	2	7x120L
5-5	236968	Instruction Manual	1	