



301 – 30<sup>th</sup> Street NE, Suite 118, Auburn, WA 98002  
PO Box 309, Auburn, WA 98071-0309  
Phone (253) 735-7368 Fax (253) 735-1416

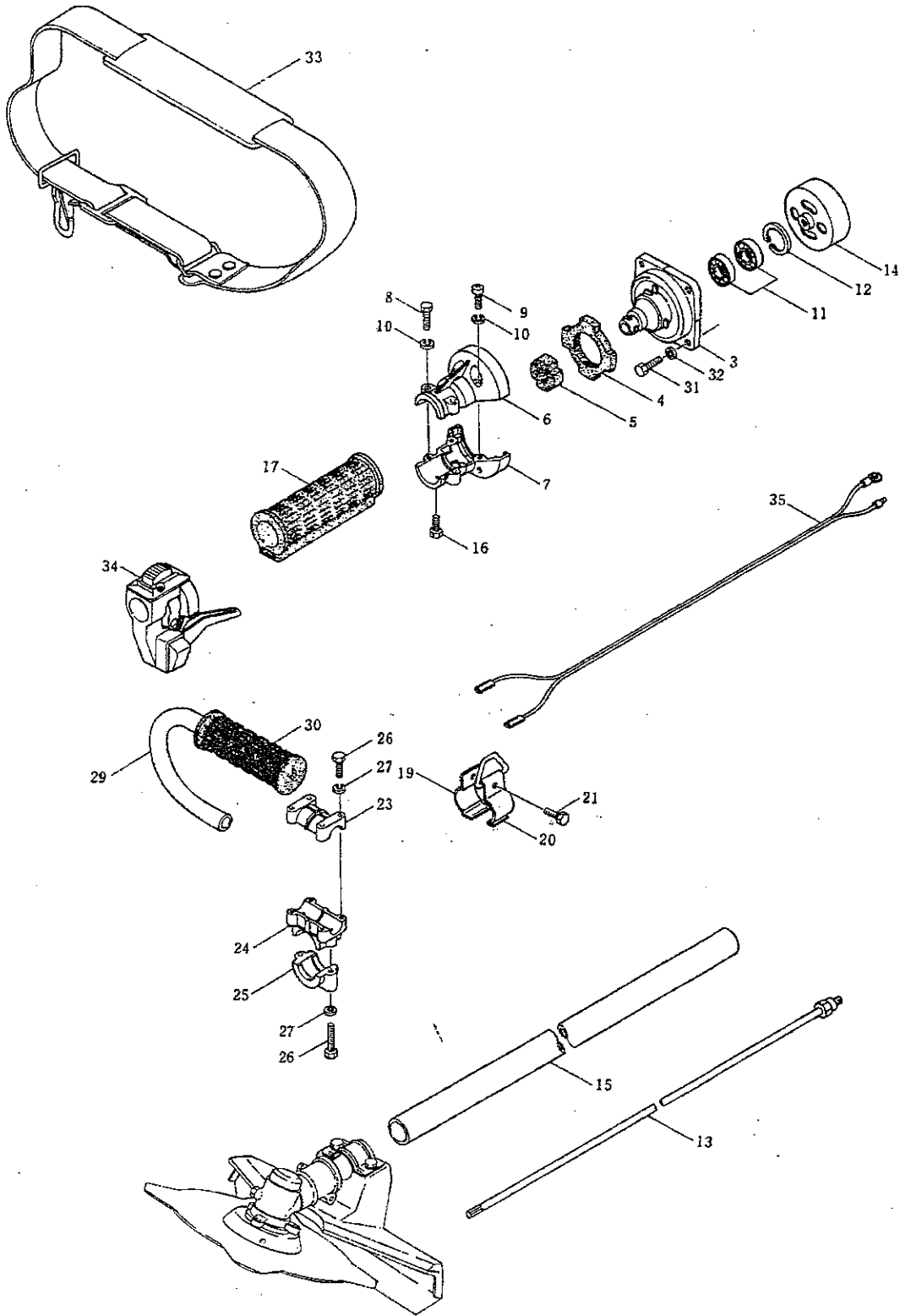
**PARTS LIST  
MODEL BC241**

**January 1, 1987**

# PARTS LIST

# MODEL BC241

## 1. MAIN BODY



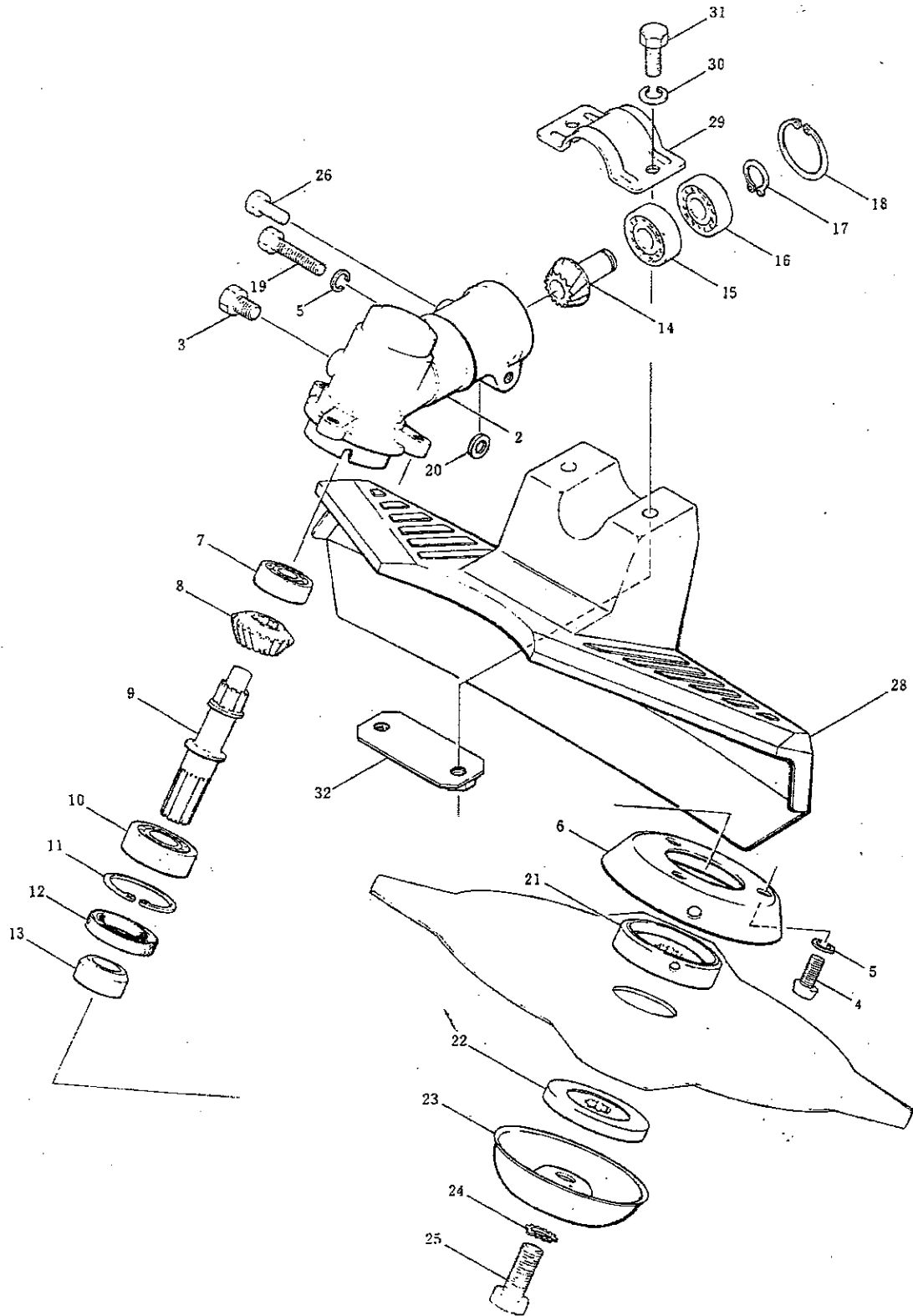
MARUYAMA U.S., INC.

Ref.No.	Parts No.	Parts Name	Q'ty	Ref.No.	Parts No.	Parts Name	Q'ty
1-1	344474	BC241	1				
1-2	210532	Clutch case, ass'y	1				
1-3	210533	. Bearing case	1				
1-4	210534	. Buffer (A)	1				
1-5	210535	. Buffer (B)	1				
1-6	210536	. Outer transmission pipe bracket (A)	1				
1-7	210537	. Outer transmission pipe bracket (B)	1				
1-8	089749	. Bolt (M5X25-7T)	2				
1-9	081416	. Screw (M5X20)	2				
1-10	012501	. Spring washer (M5)	4				
1-11	054675	. Bearing (#6000UU)	2				
1-12	054676	. Snap ring (#26)	1				
1-13	211463	Inner transmission shaft, ass'y	1				
1-14	210538	Clutch drum	1				
1-15	211466	Outer transmission pipe	1				
1-16	089737	Bolt (M5X12)	1				
1-17	054975	Knob	1				
1-18	054691	Hanging bracket, ass'y	1				
1-19	054692	. Hanging bracket (A)	1				
1-20	054695	. Hanging bracket (B)	1				
1-21	089737	. Bolt (M5X12)	1				
1-22	211288	Handle bracket, ass'y	1				
1-23	210544	. Handle bracket (A)	1				
1-24	210545	. Handle bracket (B)	1				
1-25	210546	. Handle bracket (C)	1				
1-26	089749	. Bolt (M5X25-7T)	6				
1-27	012501	. Spring washer (M5)	6				
1-28	057704	Handle, ass'y	1				
1-29	057705	. Handle	1				
1-30	054974	. Handle knob	1				
1-31	089744	Bolt (M6X20)	4				
1-32	012502	Spring washer (M6)	4				
1-33	212060	Hanging strap, ass'y	1				
1-34	212053	Throttle lever	1				
1-35	212256	Lead wire	1				

# PARTS LIST

# MODEL BC241

## 2. GEAR CASE



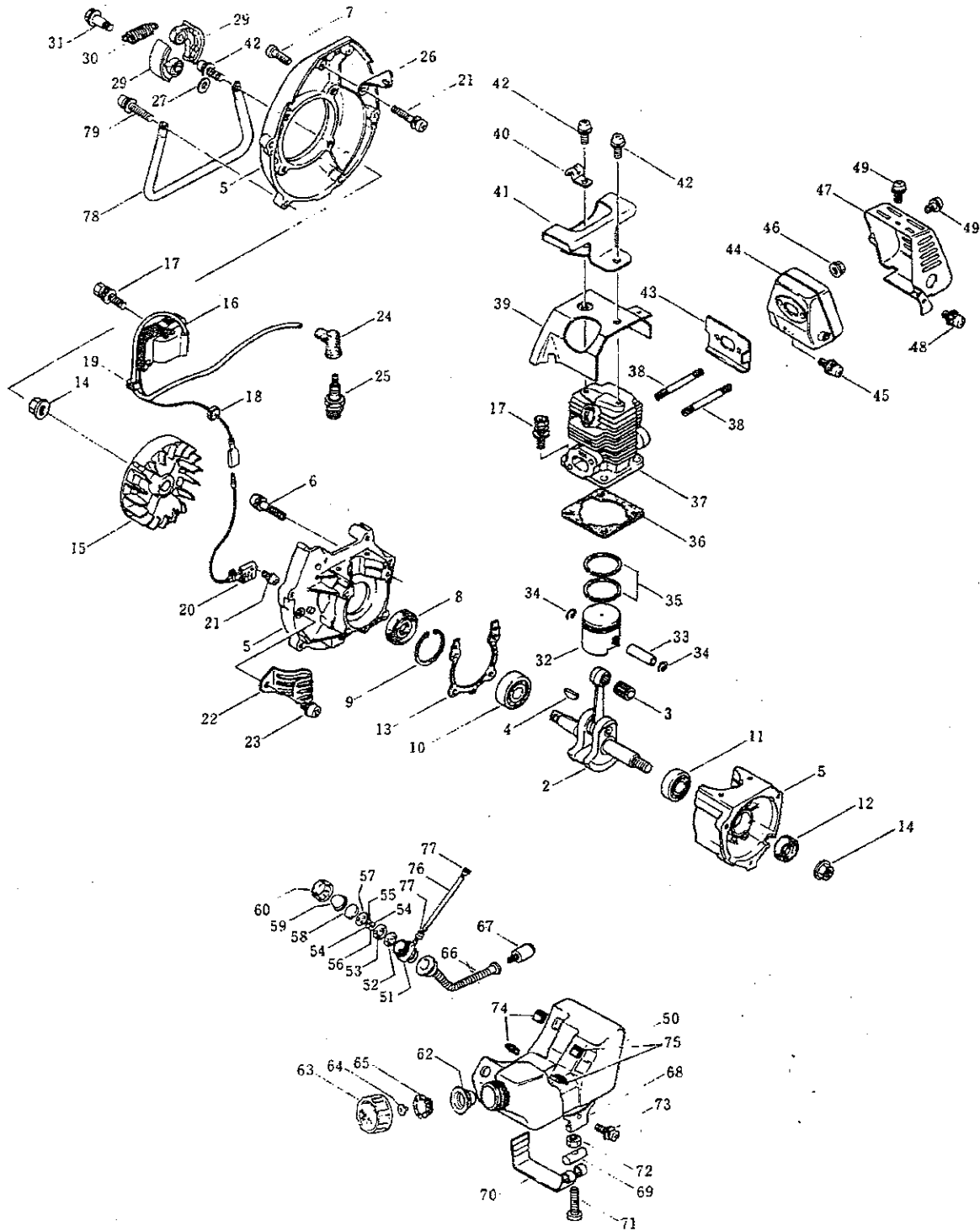
MARUYAMA U.S., INC.

Ref.No.	Parts No.	Parts Name	Q'ty	Ref.No.	Parts No.	Parts Name	Q'ty
2-1	211468	Gear case, ass'y	1				
2-2	210552	. Gear case	1				
2-3	082092	. Bolt (M6X8)	1				
2-4	081411	. Screw (M5X8)	3				
2-5	012501	. Spring washer (M5)	4				
2-6	210553	. Stabilizer	1				
2-7	210554	. Bearing (#608)	1				
2-8	210555	. Gear	1				
2-9	210556	. Blade axis	1				
2-10	019585	. Bearing (#6001)	1				
2-11	055185	. Snap ring (#28)	1				
2-12	059394	. Oil seal (D19 28 6)	1				
2-13	054736	. Collar, blade axis	1				
2-14	211470	. Pinion gear	1				
2-15	210560	. Bearing (#609)	1				
2-16	211661	. Bearing (#609Z)	1				
2-17	140269	. Snap ring (#9)	1				
2-18	140270	. Snap ring (#24)	1				
2-19	089749	. Bolt (M5X25-7T)	1				
2-20	211177	. Packing ( $\phi 5.5 \times \phi 12 \times t 0.5$ )	1				
2-21	210557	. Boss (A)	1				
2-22	140275	. Boss (B)	1				
2-23	210558	. Stabilizer	1				
2-24	210309	. Toothed washer (B-8, Counterclockwise)	1				
2-25	089432	. Bolt (M8X18, Counterclockwise)	1				
2-26	089737	Bolt (M5X12)	1				
2-27	210412	Safety cover, ass'y	1				
2-28	210311	. Safety cover	1				
2-29	210413	. Bracket	1				
2-30	012502	. Spring washer (M6)	2				
2-31	089746	. Bolt (M6X30)	2				
2-32	210313	. Safety cover bracket	1				

# PARTS LIST

# MODEL BC241

## 3. ENGINE (CRANK CASE, CYLINDER)



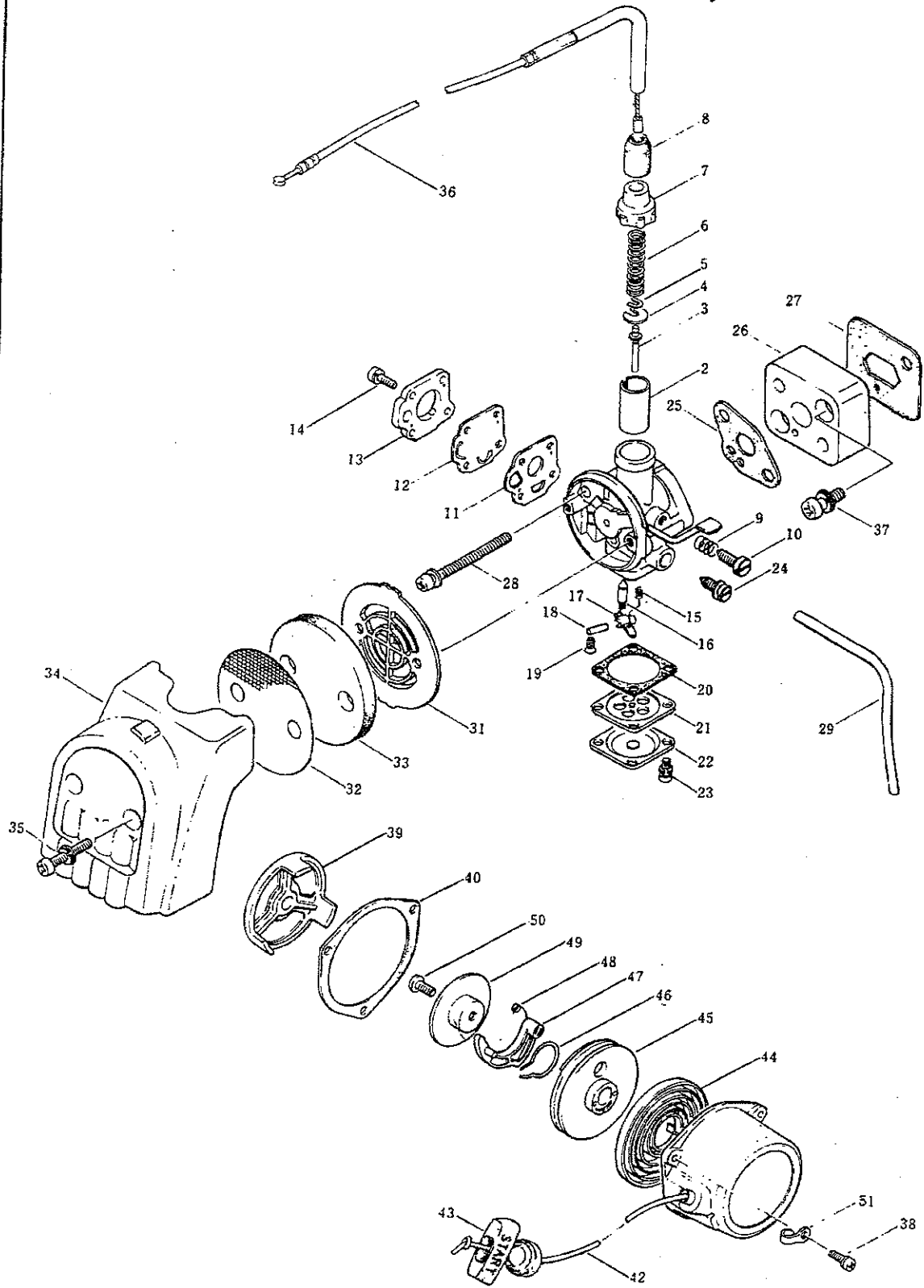
MARUYAMA U.S., INC.

Ref.No.	Parts No.	Parts Name	Q'ty	Ref.No.	Parts No.	Parts Name	Q'ty
3-1	212069	Engine, ass'y (T130P-D)	1	3-41	991102	Plug guard	1
3-2	972878	Crankshaft, ass'y	1	3-42	979338	Screw	3
3-3	972869	. Needle bearing	1	3-43	990684	Muffler gasket	1
3-4	972897	. Key	1	3-44	992372	Muffler	1
3-5	996488	Crankcase, ass'y	1	3-45	978460	Screw	1
3-6	971819	. Screw	4	3-46	991103	Flange nut	2
3-7	912610	. Screw	2	3-47	996489	Muffler cover	1
3-8	972843	Oil seal (TC9 12 32 7)	1	3-48	977522	Screw	1
3-9	912607	Snap ring	1	3-49	971820	Screw	2
3-10	912608	Ball bearing (#6201)	1	3-50	992360	Fuel tank, ass'y	1
3-11	972893	Ball bearing (#6001)	1	3-51	260109	. Priming pump, ass'y	1
3-12	912612	Oil seal (TC12 22 7)	1	3-52	972819	.. Packing (B)	1
3-13	972820	Gasket	1	3-53	972811	.. Valve seat (A)	1
3-14	990136	Nut	2	3-54	972813	.. Ball	2
3-15	977309	Flywheel	1	3-55	972817	.. Sponge	1
3-16	991092	Ignition coil	1	3-56	260112	.. Sponge	1
3-17	977301	Bolt	6	3-57	972812	.. Packing (A)	1
3-18	912618	Dust seal bushing	1	3-58	972818	.. Valve seat (B)	1
3-19	912635	Dust seal bushing	1	3-59	996357	.. Rubber cap	1
3-20	991100	Unit	1	3-60	991908	.. Cap	1
3-21	970899	Screw	4	3-61	996490	. Fuel tank cap, ass'y	1
3-22	977311	Clamp	1	3-62	977315	.. Packing	1
3-23	972891	Screw	1	3-63	991645	.. Fuel tank cap	1
3-24	977306	Plug cap	1	3-64	977316	.. Combination valve	1
3-25	910519	Spark plug (BM6A)	1	3-65	977318	.. Valve holder	1
3-26	972868	Fan case support	1	3-66	977303	. Fuel hose	1
3-27	912642	Washer	2	3-67	912658	. Fuel filter	1
3-28	912643	Clutch, ass'y	1	3-68	991090	Tank hanger	1
3-29	972808	. Weight	2	3-69	972883	Band support bar	1
3-30	260105	. Spring	1	3-70	991101	Tank band	1
3-31	990679	Bolt	2	3-71	912609	Screw	1
3-32	972821	Piston pin set	1	3-72	979339	Nut	1
3-33	990675	. Piston pin	1	3-73	972889	Screw	1
3-34	972823	Snap ring	2	3-74	996358	Pad	2
3-35	972822	Piston ring	2	3-75	912650	Pad	2
3-36	972825	Cylinder packing	1	3-76	977300	Fuel pipe	1
3-37	996355	Cylinder	1	3-77	971781	Fuel pipe clip	2
3-38	972881	. Stud bolt	2	3-78	991104	Engine stand	1
3-39	991088	Cylinder cover	1	3-79	990126	Screw	1
3-40	971797	Clamp	1				

# PARTS LIST

# MODEL BC241

## 4. ENGINE (CARBURETOR, RECOIL STARTER)



MARUYAMA U.S., INC.

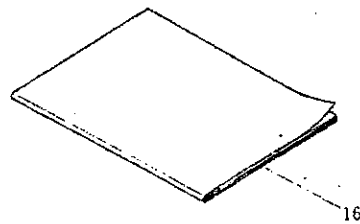
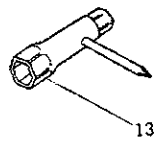
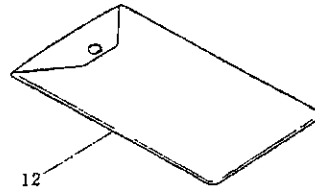
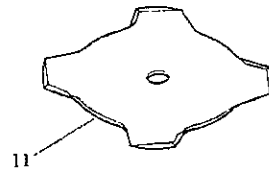
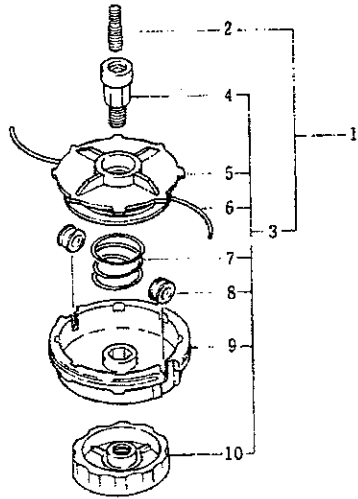


Ref.No.	Parts No.	Parts Name	Q'ty	Ref.No.	Parts No.	Parts Name	Q'ty
4-1	996359	Carburetor, ass'y	1	4-41	972828	Recoil starter, ass'y	1
4-2	991095	. Throttle valve	1	4-42	972832	. Starting rope	1
4-3	996360	. Needle jet	1	4-43	972833	. Starting knob	1
4-4	972850	. Spring retainer	1	4-44	972829	. Spiral spring	1
4-5	996361	. Clip	1	4-45	972830	. Reel	1
4-6	972853	. Throttle return spring	1	4-46	972831	. Friction spring	1
4-7	977566	. Mixing chamber cap	1	4-47	977439	. Ratchet	1
4-8	260058	. Rubber cap	1	4-48	972834	. Return spring	1
4-9	991097	. Spring	1	4-49	977440	. Friction plate	1
4-10	991096	. Throttle adjusting screw	1	4-50	977441	. Screw	1
4-11	972865	. Gasket	1	4-51	972876	Clamp	1
4-12	260055	. Pump diaphragm	1				
4-13	996362	. Pump cover, ass'y	1				
4-14	972887	. Screw	4				
4-15	972859	. Inlet valve spring	1				
4-16	972858	. Float valve	1				
4-17	972857	. Float arm	1				
4-18	972856	. Float pin	1				
4-19	972860	. Set screw, float pin	1				
4-20	977533	. Main diaphragm packing	1				
4-21	260052	. Diaphragm	1				
4-22	972866	. Main diaphragm cover, ass'y	1				
4-23	971814	. Screw	4				
4-24	972867	. Main jet needle, ass'y	1				
4-25	972836	Packing	1				
4-26	977308	Intake flange	1				
4-27	972838	Packing	1				
4-28	977534	Screw	2				
4-29	972815	Overflow pipe	1				
4-30	996239	Air cleaner, ass'y	1				
4-31	991098	. Element holder	1				
4-32	972842	. Steel net	1				
4-33	972844	. Element	1				
4-34	991087	. Air cleaner cover	1				
4-35	990125	Screw	2				
4-36	996491	Throttle wire	1				
4-37	977305	Screw	2				
4-38	972889	Screw	3				
4-39	972835	Starting pulley	1				
4-40	972880	Packing	1				

# PARTS LIST

# MODEL BC241

## 5. ACCESSORIES



MARUYAMA U.S., INC.

Ref.No.	Parts No.	Parts Name	Q'ty	Ref.No.	Parts No.	Parts Name	Q'ty
5-1	211088	Nylon cutter, ass'y	1				
5-2	210244	. Setting bolt	1				
5-3	211089	. Nylon cutter	1				
5-4	210800	.. Shaft bolt	1				
5-5	211090	.. Spool	1				
5-6	210801	.. Nylon cord	1				
5-7	210802	.. Spring	1				
5-8	210803	.. Cord guide	2				
5-9	211091	.. Housing	1				
5-10	211092	.. Knob	1				
5-11	210179	Mowing blade (φ230)	1				
5-12	054753	Tool bag	1				
5-13	210418	Box spanner (13X19X⊕)	1				
5-14	022865	Double-ended wrench (8X10)	1				
5-15	210181	Handle (φ3.5X170)	1				
5-16	212071	Instruction manual	1				



**Maruyama U.S., Inc.**  
3570 Shelby Lane  
Denton, TX 76207  
940-383-7400 voice  
940-383-7466 fax

[www.maruyama-us.com](http://www.maruyama-us.com)