

# PARTS LIST

## B27L TURBO

### CONTENTS

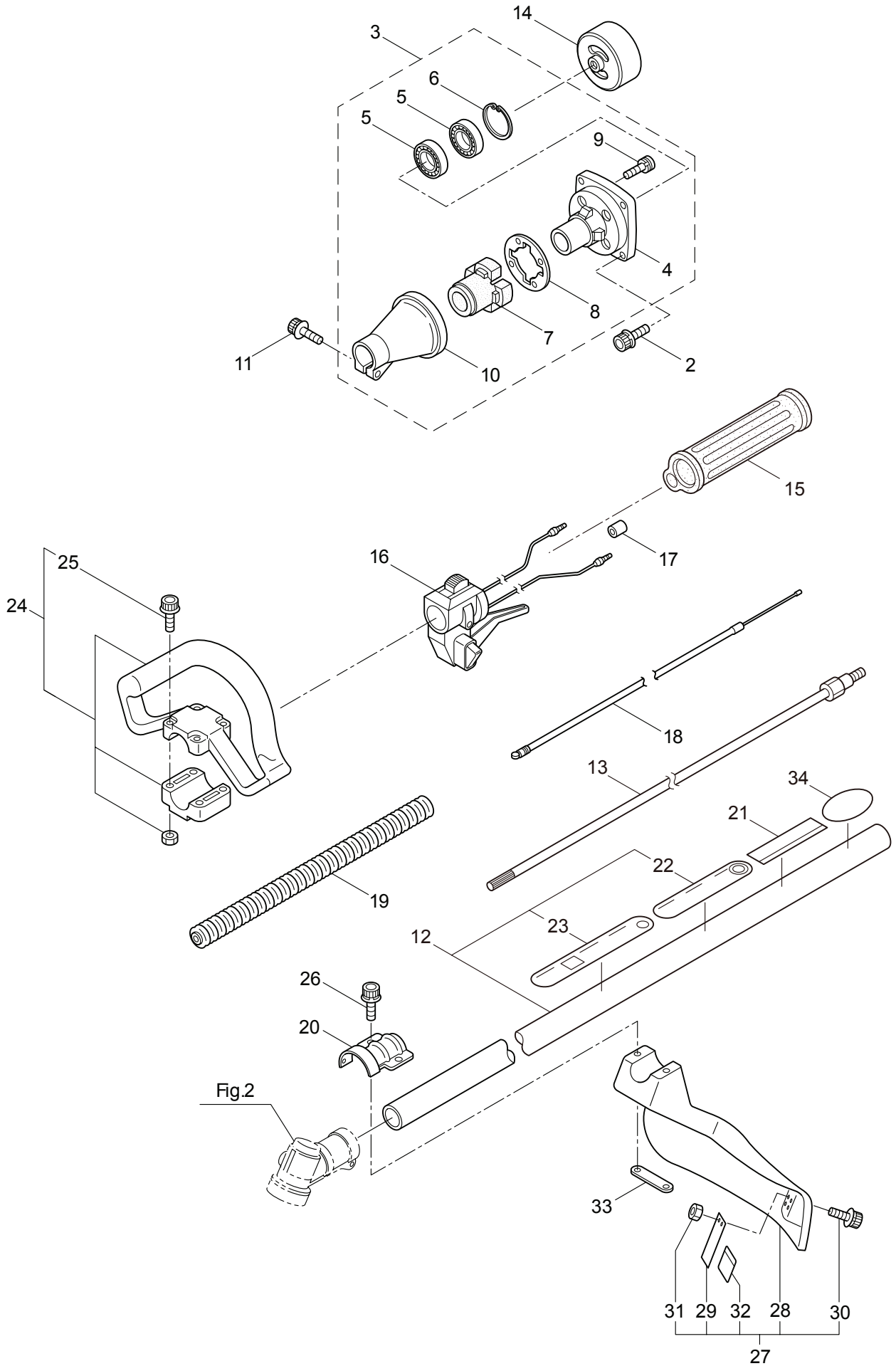
|                                |         |
|--------------------------------|---------|
| 1. MAIN BODY .....             | 1 ~ 2   |
| 2. GEARCASE.....               | 3 ~ 4   |
| 3. ENGINE .....                | 5 ~ 8   |
| 4. CARBURETOR, FUEL TANK ..... | 9 ~ 12  |
| 5. ACCESSORIES .....           | 13 ~ 14 |

2012. 12.



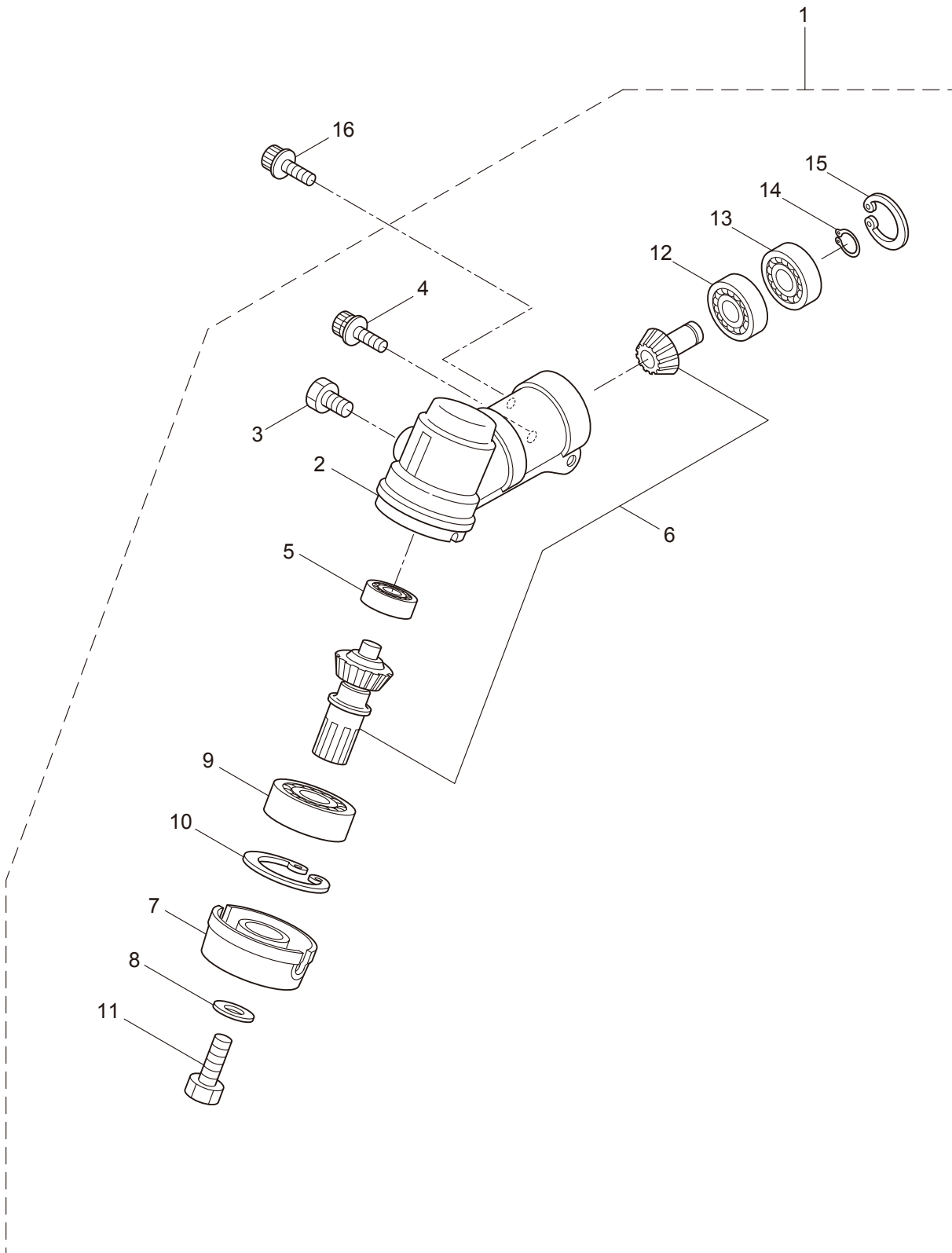
P/N 523530

# 1. B27L TURBO MAIN BODY



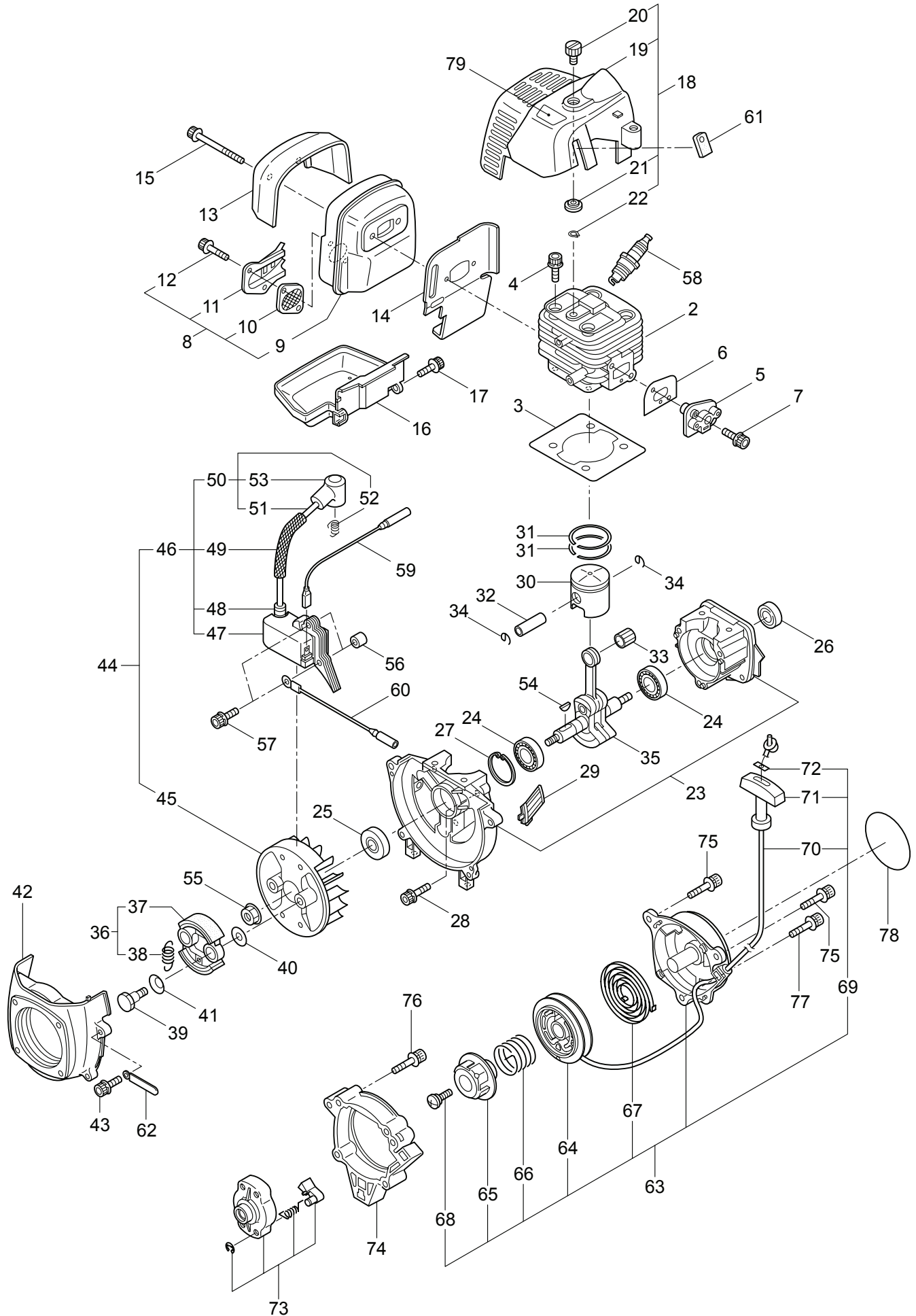
| Ref. No. | Part No. | Part Name               | Q'ty | Remarks    |
|----------|----------|-------------------------|------|------------|
| 1-1      | 364161   | B27L TURBO              | 1    |            |
| 1-2      | 261250   | Cap Screw               | 4    | M5x20      |
| 1-3      | 215512   | Clutch Case Ass'y       | 1    | Incl.4-10  |
| 1-4      | 214592   | Bearing Case            | 1    |            |
| 1-5      | 214161   | Bearing                 | 2    | #6000ZZ    |
| 1-6      | 054676   | Snap Ring               | 1    | #26        |
| 1-7      | 214162   | Buffer                  | 1    |            |
| 1-8      | 214163   | Washer                  | 1    |            |
| 1-9      | 092033   | Screw                   | 4    | M5x15      |
| 1-10     | 214593   | Driveshaft Tube Adapter | 1    |            |
| 1-11     | 261246   | Cap Screw               | 1    | M5x25      |
| 1-12     | 220078   | Driveshaft Tube Ass'y   | 1    | Incl.22,23 |
| 1-13     | 219268   | Driveshaft Ass'y        | 1    |            |
| 1-14     | 054677   | Clutch Drum             | 1    |            |
| 1-15     | 215532   | Shaft Grip              | 1    |            |
| 1-16     | 221465   | Throttle Trigger        | 1    |            |
| 1-17     | 214083   | Outer Guide             | 1    |            |
| 1-18     | 213444   | Throttle Cable          | 1    | 340L       |
| 1-19     | 213548   | Plastic Tube            | 1    | #10x200L   |
| 1-20     | 225962   | Bracket                 | 1    |            |
| 1-21     | 234671   | Label                   | 1    | B27L TURBO |
| 1-22     | 221501   | Label                   | 1    | Warning    |
| 1-23     | 221502   | Label                   | 1    | Caution    |
| 1-24     | 227816   | Loop Handle Ass'y       | 1    | Incl.25    |
| 1-25     | 215608   | Cap Screw               | 4    | M5x30x16   |
| 1-26     | 261612   | Cap Screw               | 2    | M5x30      |
| 1-27     | 226300   | Safety Cover Ass'y      | 1    | Incl.28-32 |
| 1-28     | 225961   | Safety Cover            | 1    |            |
| 1-29     | 231493   | String Cutter           | 1    |            |
| 1-30     | 227817   | Bolt                    | 2    | M5x12      |
| 1-31     | 081027   | Nut                     | 2    | M5         |
| 1-32     | 212972   | String Cutter Cover     | 1    |            |
| 1-33     | 225963   | Threaded Bracket        | 1    |            |
| 1-34     | 232898   | Label                   | 1    | TURBO      |

## 2. B27L TURBO GEARCASE



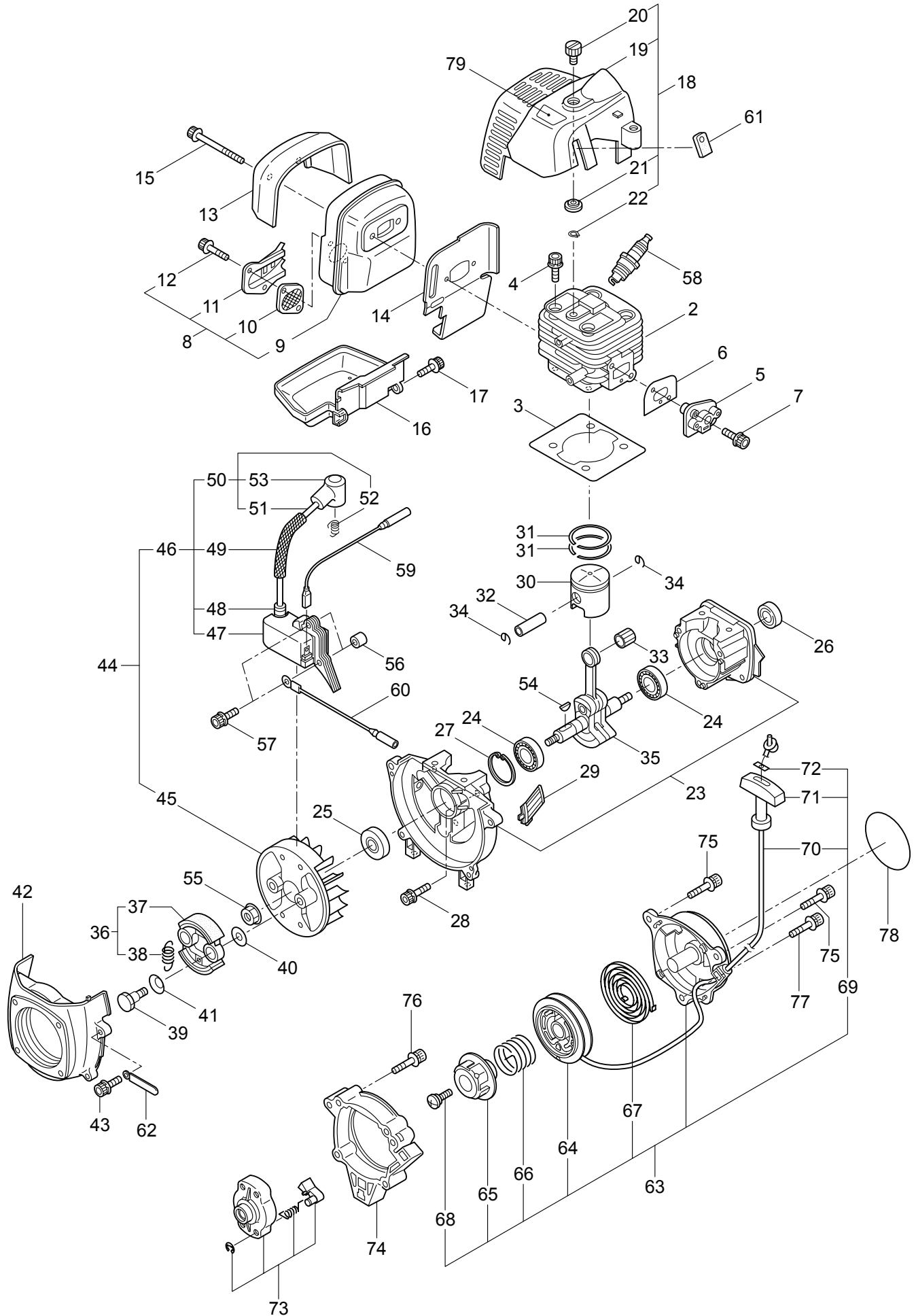
| Ref. No. | Part No. | Part Name      | Q'ty | Remarks                |
|----------|----------|----------------|------|------------------------|
| 2-1      | 232718   | Gearcase Ass'y | 1    | Incl.2-15              |
| 2-2      | 232719   | Gearcase       | 1    |                        |
| 2-3      | 234109   | Bolt           | 1    | M8x8                   |
| 2-4      | 261246   | Cap Screw      | 1    | M5x25                  |
| 2-5      | 210560   | Bearing        | 1    | #609                   |
| 2-6      | 233332   | Gear Set       | 1    |                        |
| 2-7      | 232726   | Boss Adapter   | 1    |                        |
| 2-8      | 127216   | Washer         | 1    | M8                     |
| 2-9      | 232724   | Bearing        | 1    | #6203 2RS              |
| 2-10     | 012381   | Snap Ring      | 1    | #40                    |
| 2-11     | 221998   | Bolt           | 1    | M8x12,Counterclockwise |
| 2-12     | 210560   | Bearing        | 1    | #609                   |
| 2-13     | 140268   | Bearing        | 1    | #609Z                  |
| 2-14     | 228477   | Snap Ring      | 1    | #9                     |
| 2-15     | 140270   | Snap Ring      | 1    | #24                    |
| 2-16     | 261233   | Cap Screw      | 1    | M5x12                  |

### 3. B27L TURBO ENGINE



| Ref. No. | Part No. | Part Name                 | Q'ty | Remarks             |
|----------|----------|---------------------------|------|---------------------|
| 3-1      | 859191   | Engine                    | 1    | CE260/27            |
| 3-2      | 283734   | Cylinder                  | 1    |                     |
| 3-3      | 283783   | Gasket                    | 1    |                     |
| 3-4      | 261250   | Cap Screw                 | 4    | M5x20               |
| 3-5      | 269144   | Insulator                 | 1    | New gasket required |
| 3-6      | 267049   | Gasket                    | 1    |                     |
| 3-7      | 265924   | Cap Screw                 | 2    | M5x25               |
| 3-8      | 282208   | Muffler Ass'y             | 1    | Incl.9-12           |
| 3-9      | 282209   | Muffler Comp.             | 1    |                     |
| 3-10     | 267056   | Spark Arrester            | 1    |                     |
| 3-11     | 268171   | Muffler Tail              | 1    |                     |
| 3-12     | 265107   | Cap Screw                 | 2    | M4x10               |
| 3-13     | 284071   | Holder                    | 1    |                     |
| 3-14     | 283940   | Gasket                    | 1    |                     |
| 3-15     | 266402   | Cap Screw                 | 2    | M5x55               |
| 3-16     | 281435   | Under Cover               | 1    |                     |
| 3-17     | 267191   | Cap Screw                 | 1    | M5x16               |
| 3-18     | 281742   | Top Cover Ass'y           | 1    | Incl.19-22          |
| 3-19     | 281434   | Top Cover                 | 1    |                     |
| 3-20     | 261018   | Knob                      | 1    |                     |
| 3-21     | 261020   | Spacer                    | 1    |                     |
| 3-22     | 261734   | Snap Ring                 | 1    | #5                  |
| 3-23     | 289582   | Crankcase                 | 1    |                     |
| 3-24     | 280488   | Bearing                   | 2    | PPL 6001            |
| 3-25     | 261492   | Oil Seal                  | 1    | ISCD12287           |
| 3-26     | 261386   | Oil Seal                  | 1    | ISCD12227           |
| 3-27     | 055185   | Snap Ring                 | 1    | #28                 |
| 3-28     | 261612   | Cap Screw                 | 3    | M5x30               |
| 3-29     | 281442   | Screen                    | 1    |                     |
| 3-30     | 268247   | Piston                    | 1    |                     |
| 3-31     | 261496   | Piston Ring               | 2    | (2)Required         |
| 3-32     | 261497   | Piston Pin                | 1    |                     |
| 3-33     | 261037   | Bearing,Needle            | 1    | KBK8x11x11.8x1      |
| 3-34     | 261576   | Clip,Piston               | 2    |                     |
| 3-35     | 265197   | Crankshaft/Conn.Rod Ass'y | 1    |                     |
| 3-36     | 267327   | Clutch Ass'y              | 1    | Incl.37,38          |
| 3-37     | 267342   | Clutch Shoe               | 2    | (2)required         |
| 3-38     | 267345   | Spring,Clutch             | 1    |                     |
| 3-39     | 264505   | Bolt                      | 2    |                     |
| 3-40     | 261189   | Washer                    | 2    | 6x16.5x1.2          |
| 3-41     | 261777   | Wave Washer               | 2    |                     |
| 3-42     | 281433   | Fan Cover                 | 1    |                     |
| 3-43     | 261250   | Cap Screw                 | 4    | M5x20               |
| 3-44     | 283729   | Magneto Ass'y             | 1    | Incl.45-53          |
| 3-45     | 268253   | Rotor/Fan                 | 1    |                     |

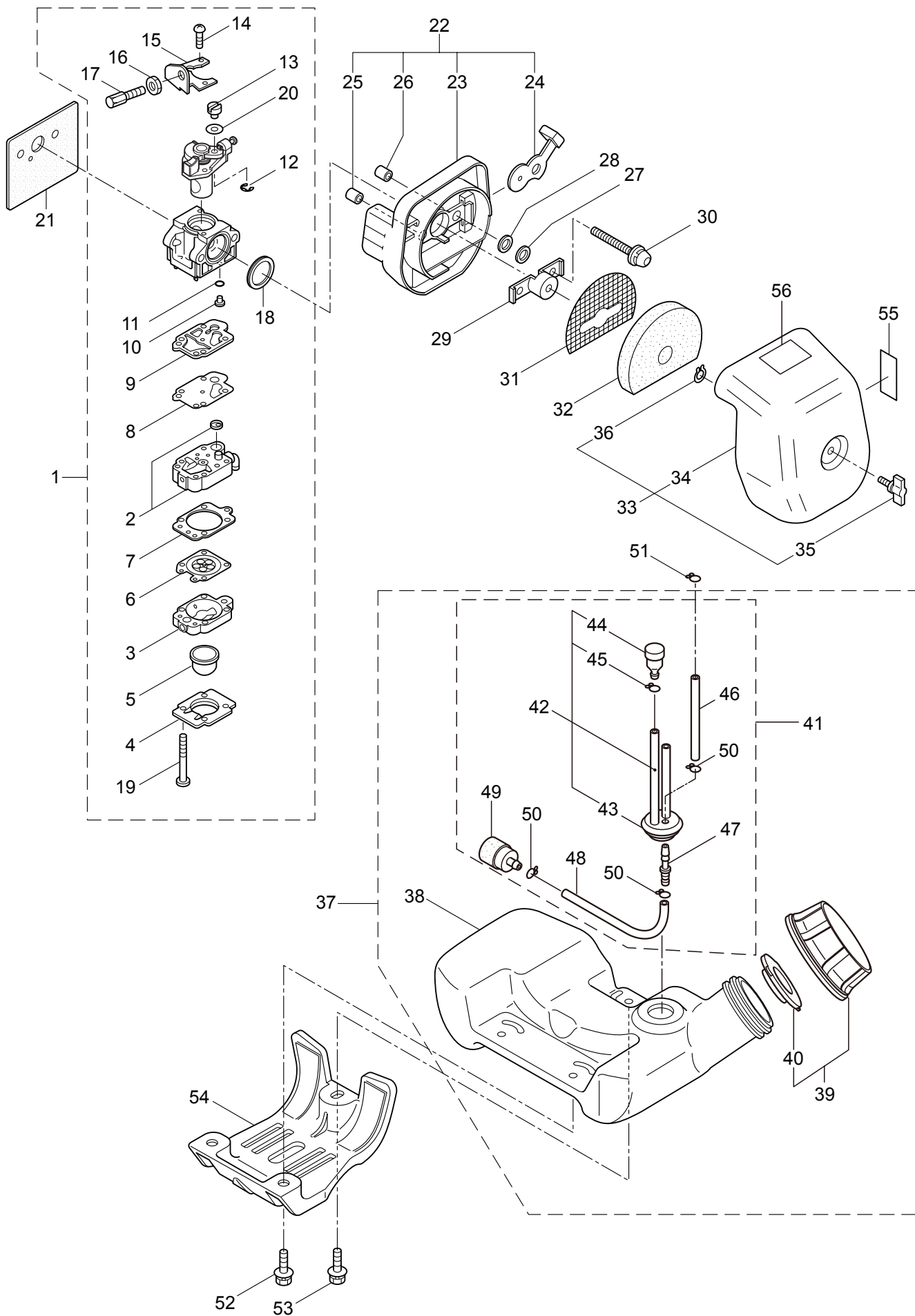
### 3. B27L TURBO ENGINE





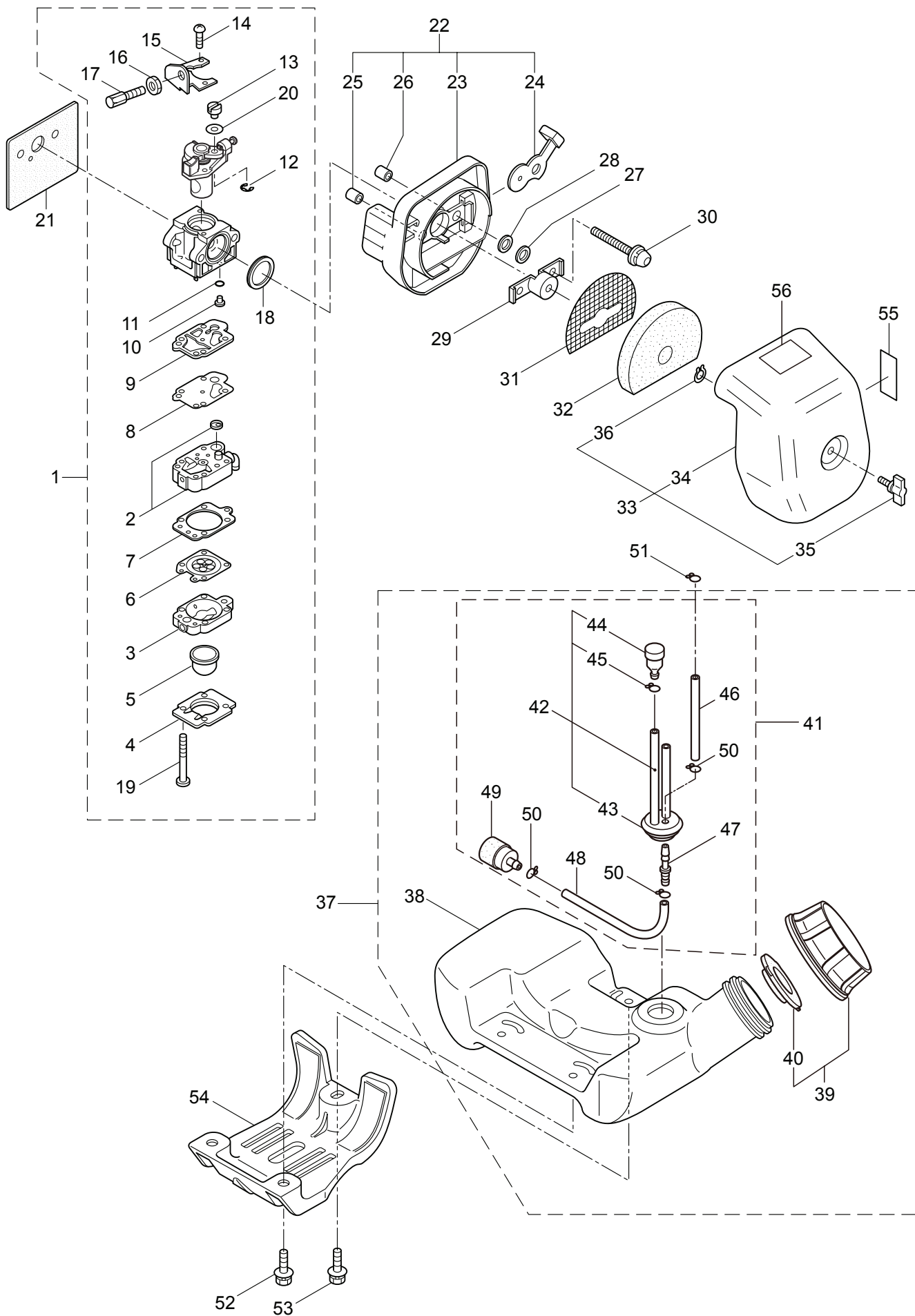
| Ref. No. | Part No. | Part Name             | Q'ty | Remarks           |
|----------|----------|-----------------------|------|-------------------|
| 3-46     | 283705   | Ignition Coil Ass'y   | 1    | Incl.47-53        |
| 3-47     | 283730   | Coil                  | 1    |                   |
| 3-48     | 261072   | Cap                   | 1    |                   |
| 3-49     | 283731   | Tube                  | 1    |                   |
| 3-50     | 283732   | Spark Plug Wire Ass'y | 1    | Incl.51-53        |
| 3-51     | 283733   | Spark Plug Wire       | 1    |                   |
| 3-52     | 261075   | Connector             | 1    |                   |
| 3-53     | 261074   | Plug Boot             | 1    |                   |
| 3-54     | 261076   | Woodruff Key          | 1    | 3x10              |
| 3-55     | 261417   | Nut,Rotor             | 1    | M8                |
| 3-56     | 280381   | Spacer                | 2    |                   |
| 3-57     | 261256   | Cap Screw             | 2    | M4x25             |
| 3-58     | 285982   | Spark Plug            | 1    | NGK BPM8Y         |
| 3-59     | 261772   | Lead                  | 1    |                   |
| 3-60     | 268044   | Lead                  | 1    |                   |
| 3-61     | 269189   | Grommet               | 1    |                   |
| 3-62     | 264588   | Clamp                 | 1    |                   |
| 3-63     | 283477   | Recoil Ass'y          | 1    | Incl.64-72        |
| 3-64     | 283504   | Reel                  | 1    |                   |
| 3-65     | 283505   | Cam Plate             | 1    |                   |
| 3-66     | 283506   | Spring                | 1    |                   |
| 3-67     | 280931   | Spiral Spring         | 1    |                   |
| 3-68     | 267213   | Screw                 | 1    |                   |
| 3-69     | 283578   | Stater Rope Ass'y     | 1    | Incl.70-72        |
| 3-70     | 283579   | Stater Rope           | 1    |                   |
| 3-71     | 261725   | Starter Grip          | 1    |                   |
| 3-72     | 283511   | Rope Stopper          | 1    |                   |
| 3-73     | 283575   | Starter Pawl Ass'y    | 1    |                   |
| 3-74     | 284698   | Adapter Ass'y         | 1    |                   |
| 3-75     | 283391   | Cap Screw             | 2    | M4x20             |
| 3-76     | 265726   | Cap Screw             | 4    | M4x16             |
| 3-77     | 282096   | Cap Screw             | 1    | M4x16WSW          |
| 3-78     | 289853   | Label                 | 1    | B27 LTURBO CER260 |
| 3-79     | 289854   | Label                 | 1    | B27 LTURBO        |

# 4. B27L TURBO CARBURETOR, FUEL TANK



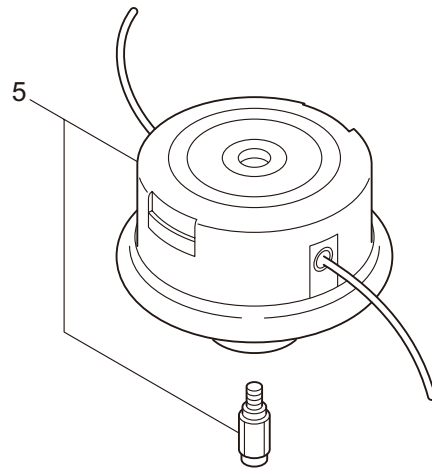
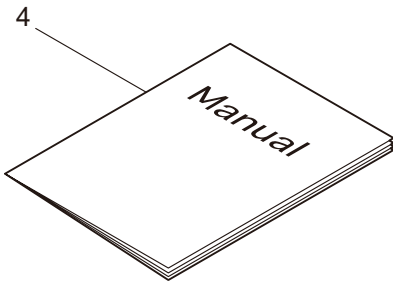
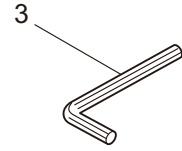
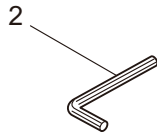
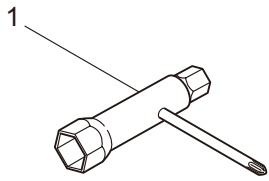
| Ref. No. | Part No. | Part Name               | Q'ty | Remarks      |
|----------|----------|-------------------------|------|--------------|
| 4-1      | 283898   | Carburetor Ass'y        | 1    | Incl.2-20    |
| 4-2      | 264155   | Pump Body               | 1    |              |
| 4-3      | 262991   | Purge Body              | 1    |              |
| 4-4      | 262992   | Cover Plate             | 1    |              |
| 4-5      | 261874   | Primer Bulb             | 1    |              |
| 4-6      | 283905   | Diaphragm, Meterring    | 1    |              |
| 4-7      | 262993   | Gasket                  | 1    |              |
| 4-8      | 262994   | Diaphragm,Fuel Pump     | 1    |              |
| 4-9      | 282576   | Gasket                  | 1    |              |
| 4-10     | 281487   | Main Jet                | 1    | #37          |
| 4-11     | 261871   | O-Ring                  | 1    |              |
| 4-12     | 261876   | E-Ring                  | 1    |              |
| 4-13     | 261658   | Swivel                  | 1    |              |
| 4-14     | 261875   | Screw                   | 2    |              |
| 4-15     | 264677   | Bracket                 | 1    |              |
| 4-16     | 261878   | Nut                     | 1    |              |
| 4-17     | 263994   | Adapter                 | 1    |              |
| 4-18     | 261657   | Packing                 | 1    |              |
| 4-19     | 262996   | Screw                   | 4    |              |
| 4-20     | 264678   | Washer                  | 1    |              |
| 4-21     | 269762   | Gasket                  | 1    |              |
| 4-22     | 268055   | Air Filter Case Ass'y   | 1    | Incl.23-26   |
| 4-23     | 268056   | Air Filter Case         | 1    |              |
| 4-24     | 268057   | Valve                   | 1    |              |
| 4-25     | 268157   | Sleeve                  | 1    | 5.5x7.1x6L   |
| 4-26     | 268412   | Sleeve                  | 1    | 5.5x7.1x6.6L |
| 4-27     | 263345   | Packing                 | 1    | 7.2x11xt1.3  |
| 4-28     | 263942   | Washer                  | 1    | 7.2x12xt0.15 |
| 4-29     | 263815   | Stay                    | 1    |              |
| 4-30     | 264016   | Cap Screw               | 2    | M5x60        |
| 4-31     | 265026   | Screen                  | 1    |              |
| 4-32     | 265027   | Foam Element            | 1    |              |
| 4-33     | 268058   | Air Filter Cover Ass'y  | 1    | Incl.34-36   |
| 4-34     | 268059   | Air Filter Cover        | 1    |              |
| 4-35     | 281438   | Knob                    | 1    |              |
| 4-36     | 261734   | Snap Ring               | 1    | #5           |
| 4-37     | 289034   | Fuel Tank Ass'y         | 1    | Incl.38-50   |
| 4-38     | 284820   | Fuel Tank               | 1    |              |
| 4-39     | 289043   | Fuel Tank Cap Ass'y     | 1    | Incl.40      |
| 4-40     | 287058   | Gasket                  | 1    |              |
| 4-41     | 289035   | Fuel Pipe Pick-up Ass'y | 1    | Incl.42-50   |
| 4-42     | 289036   | Fuel Pipe Ass'y         | 1    | Incl.43-45   |
| 4-43     | 268065   | Grommet                 | 1    |              |
| 4-44     | 261590   | Breather                | 1    |              |
| 4-45     | 261117   | Clip                    | 1    |              |

# 4. B27L TURBO CARBURETOR, FUEL TANK



| Ref. No. | Part No. | Part Name    | Q'ty | Remarks  |
|----------|----------|--------------|------|----------|
| 4-46     | 289028   | Pipe A       | 1    | 3x5x53L  |
| 4-47     | 288921   | Joint        | 1    |          |
| 4-48     | 289033   | Pipe         | 1    | 3x5x100L |
| 4-49     | 264653   | Filter Ass'y | 1    |          |
| 4-50     | 261117   | Clip         | 3    |          |
| 4-51     | 261117   | Clip         | 1    |          |
| 4-52     | 281714   | Cap Screw    | 2    | M5x20    |
| 4-53     | 281715   | Cap Screw    | 1    | M5x20    |
| 4-54     | 281441   | Stand        | 1    |          |
| 4-55     | 261352   | Label        | 1    | Choke    |
| 4-56     | 285188   | Label        | 1    |          |

## 5. B27L TURBO ACCESSORIES



| Ref. No. | Part No. | Part Name          | Q'ty | Remarks   |
|----------|----------|--------------------|------|-----------|
| 5-1      | 210418   | Box Spanner        | 1    | 13x19x(+) |
| 5-2      | 219431   | Wrench             | 1    | 3mm       |
| 5-3      | 219432   | Wrench             | 1    | 4mm       |
| 5-4      | 232025   | Instruction Manual | 1    |           |
| 5-5      | 840419   | Semi-Auto Head(L)5 | 1    |           |