

Is Your Product Registered?

Contact your Dealer to verify.

Warranties are based on Registrations and reduced to 1 year without  
Registration.

**MARUYAMA**

ILLUSTRATED PARTS LIST

**BL5100**

BACKPACK BLOWER



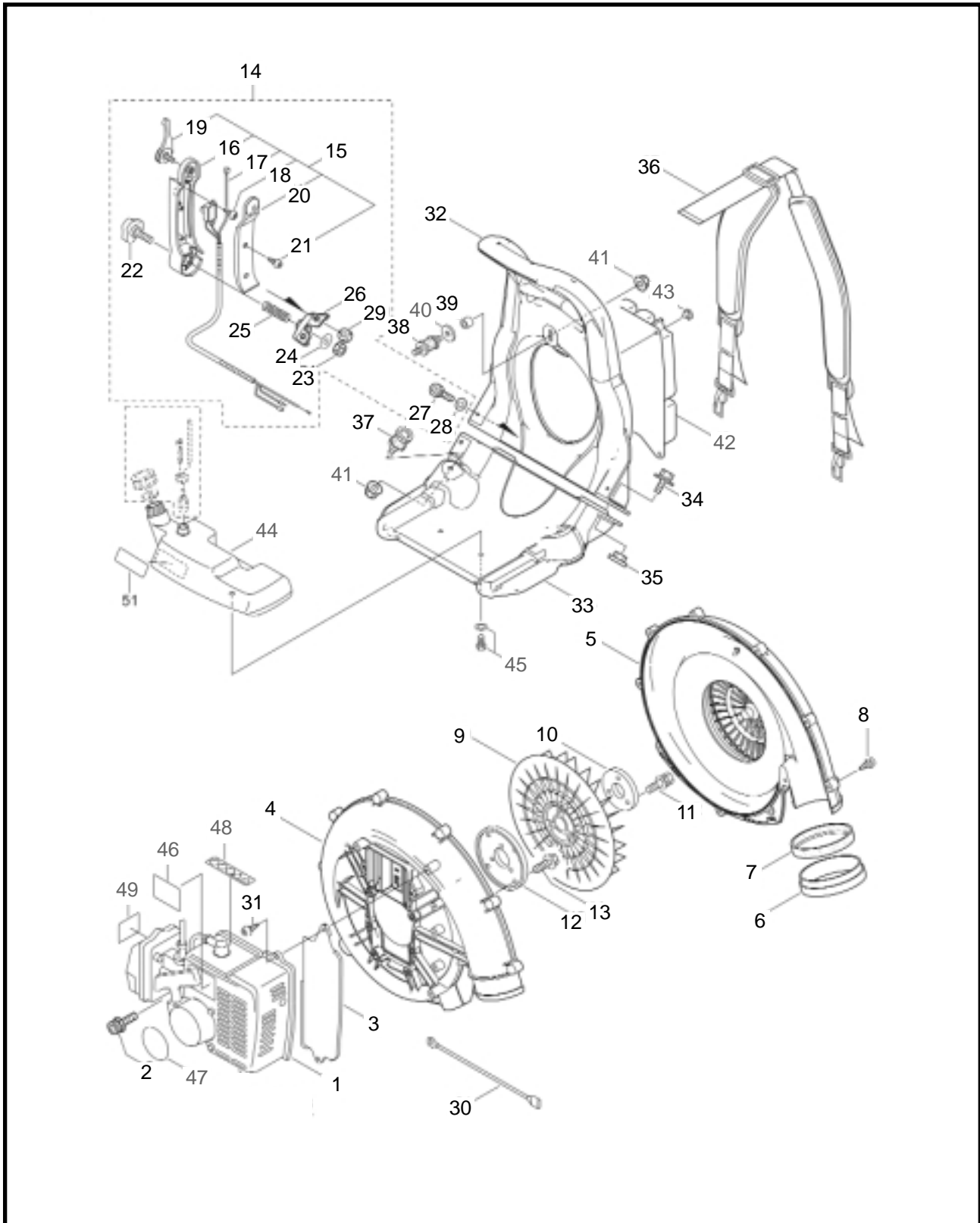
BL5100  
PACKBACK BLOWER  
PART #840632-REV08/05



Maruyama. *E x t r a o r d i n a r y .*

**2** ILLUSTRATED PARTS LIST  
**BL5100**

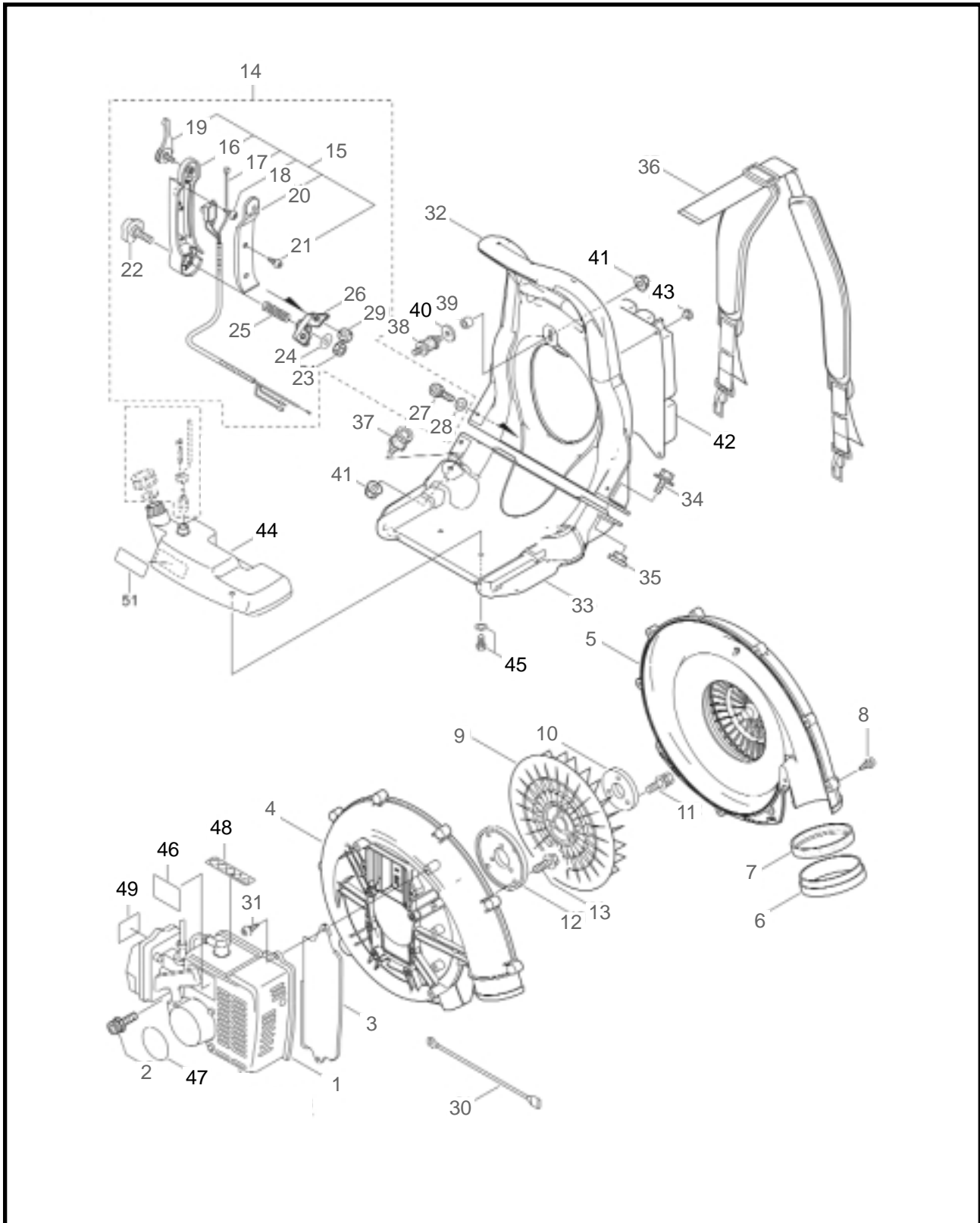
**MAIN BODY**



| <b>REF #</b> | <b>PART #</b> | <b>DESCRIPTION</b>      | <b>Q'TY.</b> | <b>NOTES</b>  |
|--------------|---------------|-------------------------|--------------|---------------|
| 1            | 125623        | Engine                  | 1            | TK45          |
| 2            | 125588        | Bolt                    | 4            | M6X30         |
| 3            | 125624        | Gasket                  | 1            |               |
| 4            | 125625        | Fan Case (Engine side)  | 1            |               |
| 5            | 125410        | Fan Case (Frame side)   | 1            |               |
| 6            | 119160        | Collar                  | 1            |               |
| 7            | 119161        | Rubber Band             | 1            |               |
| 8            | 089538        | Tapping Screw           | 10           | M5X25         |
| 9            | 118724        | Fan                     | 1            |               |
| 10           | 118248        | Plate                   | 1            |               |
| 11           | 189369        | Bolt                    | 3            | M6X30         |
| 12           | 125628        | Adapter                 | 1            |               |
| 13           | 125629        | Bolt                    | 4            | M5X15         |
| 14           | 125421        | Throttle Assembly       | 1            | Incl. 16-30   |
| 15           | 125445        | Arm Assembly            | 1            | Incl. 17-22   |
| 16           | 123497        | Arm                     | 1            |               |
| 17           | 125446        | Throttle Wire Assembly  | 1            |               |
| 18           | 120502        | Tapping Screw           | 2            |               |
| 19           | 125783        | Throttle Lever          | 1            |               |
| 20           | 123498        | Cover                   | 1            |               |
| 21           | 120517        | Tapping Screw           | 3            |               |
| 22           | 110271        | Knob Bolt               | 1            | M8X45         |
| 23           | 107581        | Nylon Nut               | 1            | M8            |
| 24           | 065413        | Washer                  | 1            | 8.5X30XT2.3   |
| 25           | 120721        | Spring                  | 1            | 1.4-43.5L     |
| 26           | 125423        | Holder                  | 1            |               |
| 27           | 125589        | Cap Screw               | 2            | M5X16         |
| 28           | 015479        | Washer                  | 2            | 5.3X16XT1.6   |
| 29           | 125621        | Nut                     | 2            | M5            |
| 30           | 108634        | Ground Wire             | 1            | AVS0.5BX120   |
| 31           | 124971        | Tapping Screw           | 3            | M5X16(P-type) |
| 32           | 125427        | Backpack Frame A        | 1            |               |
| 33           | 125429        | Backpack Frame B        | 1            |               |
| 34           | 092506        | Bolt                    | 4            | M6X20(SM)     |
| 35           | 109704        | Nut                     | 4            | M6            |
| 36           | 125432        | Shoulder Strap Assembly | 1            |               |
| 37           | 120615        | Buffer                  | 2            |               |
| 38           | 101877        | Buffer                  | 1            | 30-M6X14      |
| 39           | 120616        | Collar                  | 1            |               |

**4** ILLUSTRATED PARTS LIST  
**BL5100**

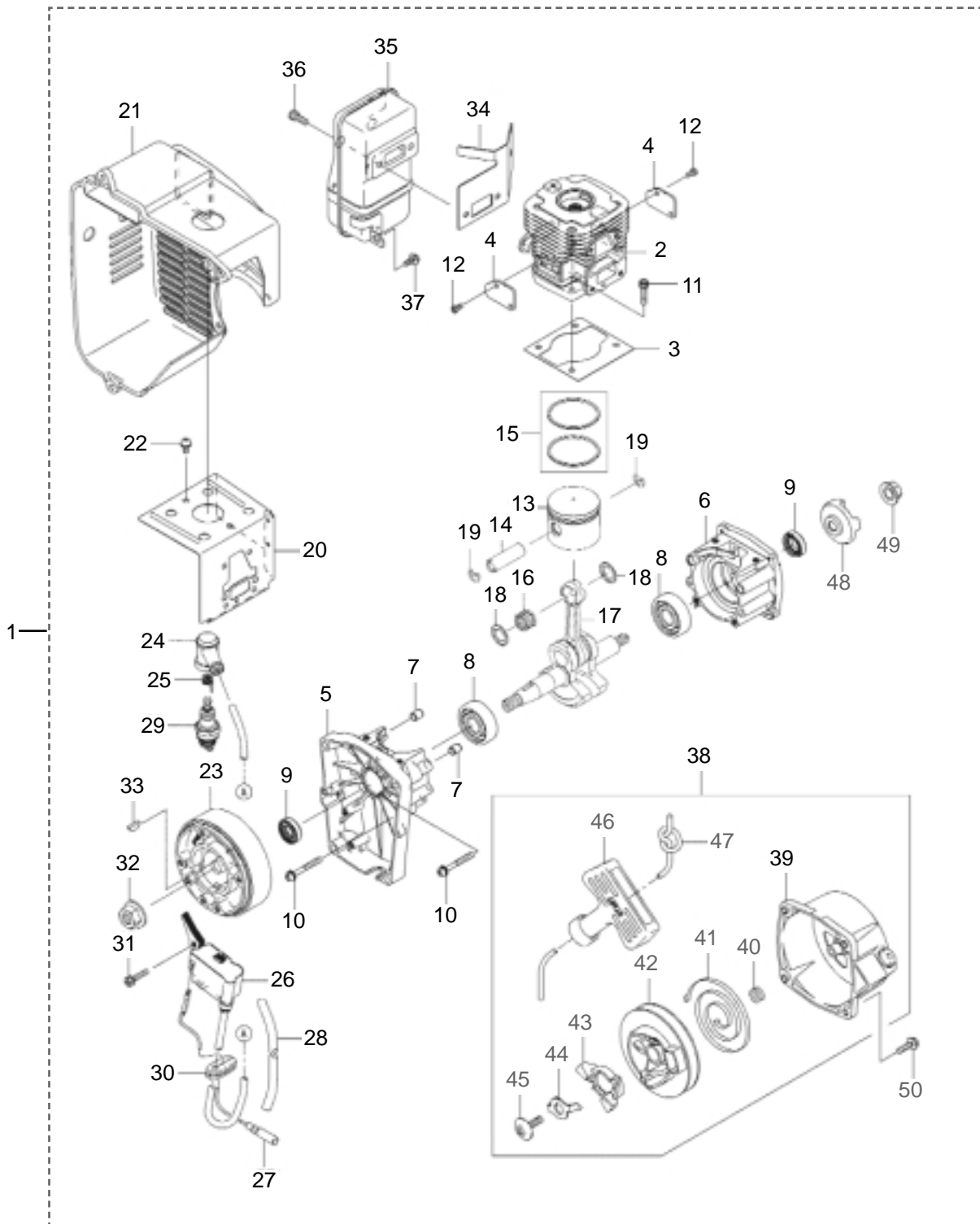
**MAIN BODY**



| <b>REF #</b> | <b>PART #</b> | <b>DESCRIPTION</b> | <b>Q'TY.</b> | <b>NOTES</b>    |
|--------------|---------------|--------------------|--------------|-----------------|
| 40           | 120617        | Packing            | 1            |                 |
| 41           | 109704        | Nut                | 3            | M6              |
| 42           | 119177        | Cushion Pad        | 1            |                 |
| 43           | 100749        | Fastener           | 4            |                 |
| 44           | 120154        | Fuel Tank          | 1            |                 |
| 45           | 125561        | Screw              | 2            | M5X14(W16XT1.6) |
| 46           | 125630        | Label              | 1            | BL5100          |
| 47           | 123954        | Label              | 1            | Recoil          |
| 48           | 266959        | Label              | 1            | CE-caution      |
| 49           | 125749        | Label              | 1            |                 |
| 50           | 121132        | Label              | 1            |                 |

**6** ILLUSTRATED PARTS LIST  
**BL5100**

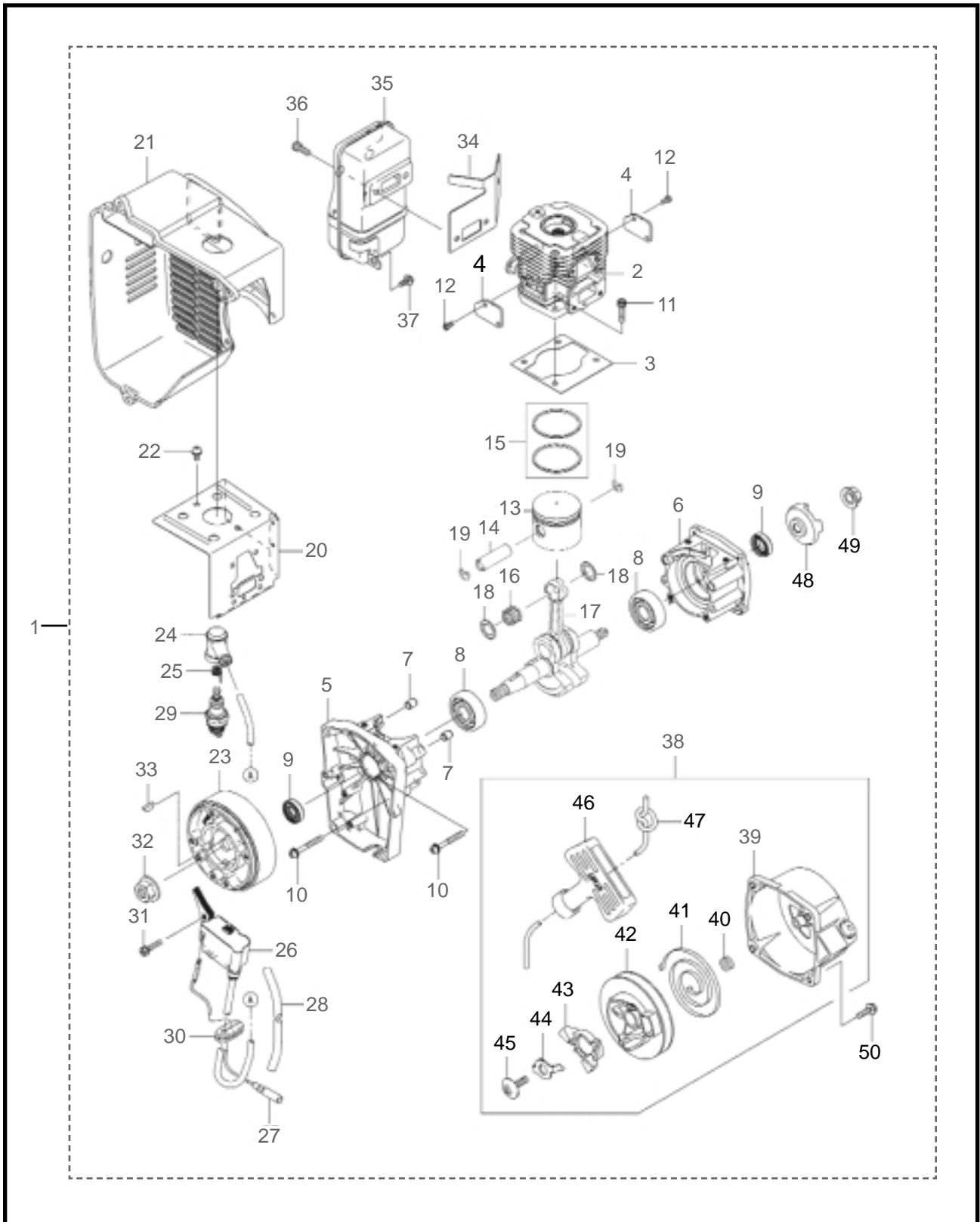
**ENGINE**



| Ref # | Part # | Description            | Q'ty. | Notes       |
|-------|--------|------------------------|-------|-------------|
| 1     | 125623 | Engine                 | 1     |             |
| 2     | 649683 | Cylinder               | 1     |             |
| 3     | 649684 | Gasket, Cylinder       | 1     |             |
| 4     | 649685 | Plate                  | 2     |             |
| 5     | 649686 | Crankcase              | 1     |             |
| 6     | 649687 | Crankcase              | 1     |             |
| 7     | 573908 | Pin                    | 2     |             |
| 8     | 649688 | Bearing                | 2     |             |
| 9     | 649689 | Oil Seal               | 2     |             |
| 10    | 944778 | Screw                  | 4     |             |
| 11    | 649320 | Bolt                   | 4     |             |
| 12    | 943572 | Screw                  | 4     |             |
| 13    | 649690 | Piston                 | 1     |             |
| 14    | 649691 | Piston Pin             | 1     |             |
| 15    | 649692 | Piston Ring Set        | 1     |             |
| 16    | 649693 | Bearing                | 1     |             |
| 17    | 649694 | Crankshaft Ass'y       | 1     |             |
| 18    | 649327 | Spacer                 | 2     |             |
| 19    | 943307 | Snap Ring              | 2     |             |
| 20    | 649695 | Shroud                 | 1     |             |
| 21    | 649696 | Shroud                 | 1     |             |
| 22    | 996258 | Screw                  | 1     |             |
| 23    | 649697 | Flywheel               | 1     |             |
| 24    | 591532 | "Cap, Spark Plug"      | 1     |             |
| 25    | 591533 | Terminal               | 1     |             |
| 26    | 649698 | Ignition Coil Ass'y    | 1     |             |
| 27    | 649332 | Lead Wire              | 1     |             |
| 28    | 998411 | Tube                   | 1     |             |
| 29    | 649333 | Spark Plug             | 1     |             |
| 30    | 649334 | Grommet                | 1     |             |
| 31    | 649335 | Bolt                   | 2     | M4X20       |
| 32    | 649336 | Nut                    | 1     | M10         |
| 33    | 071695 | Key                    | 1     |             |
| 34    | 649706 | Gasket                 | 1     |             |
| 35    | 649709 | Muffler Ass'y          | 1     |             |
| 36    | 649710 | Bolt                   | 2     |             |
| 37    | 943466 | Screw                  | 1     |             |
| 38    | 649375 | Recoil Starter Ass'y   | 1     | Incl. 39-47 |
| 39    | 649372 | "Case, Recoil Starter" | 1     |             |

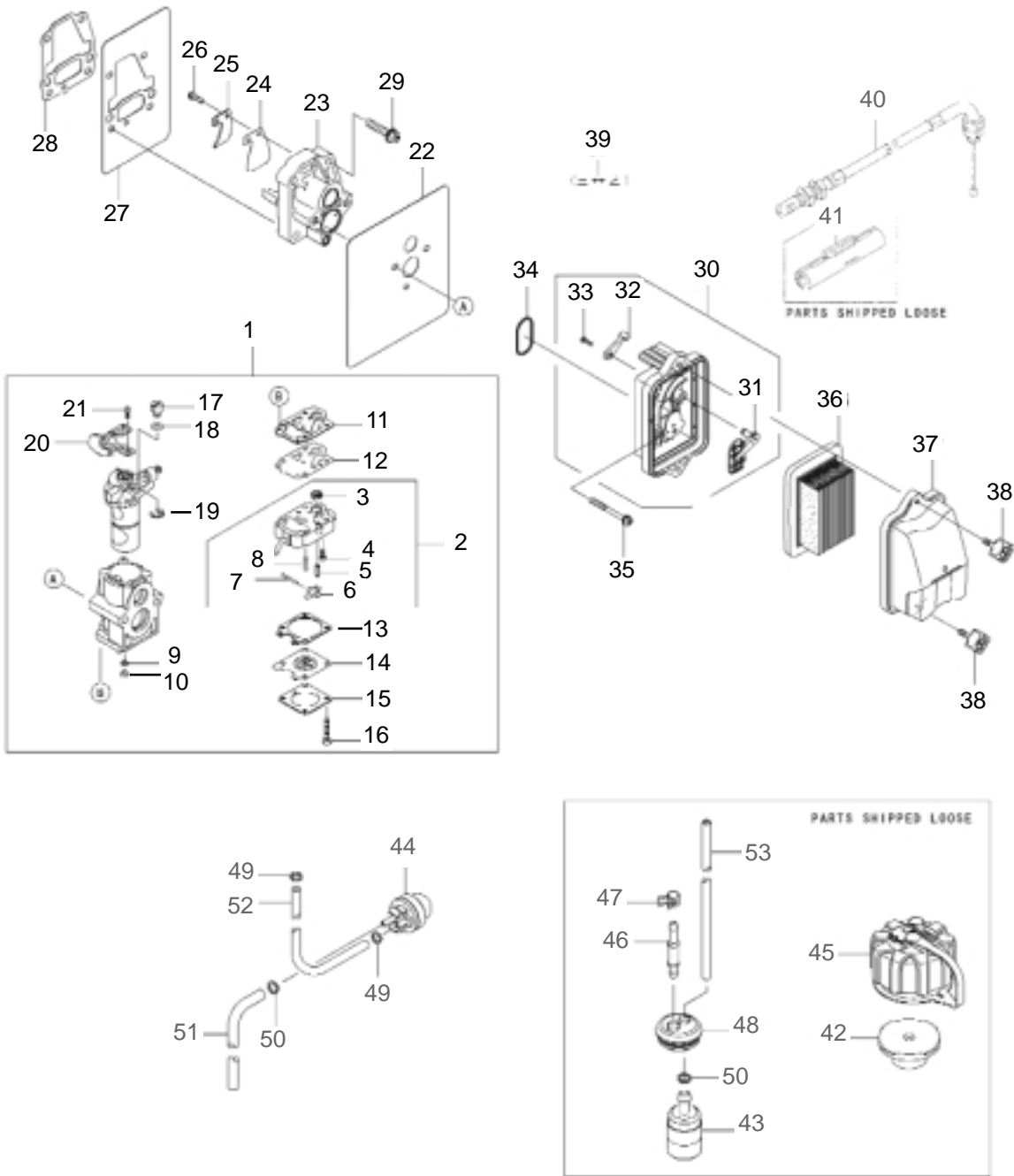


# ENGINE



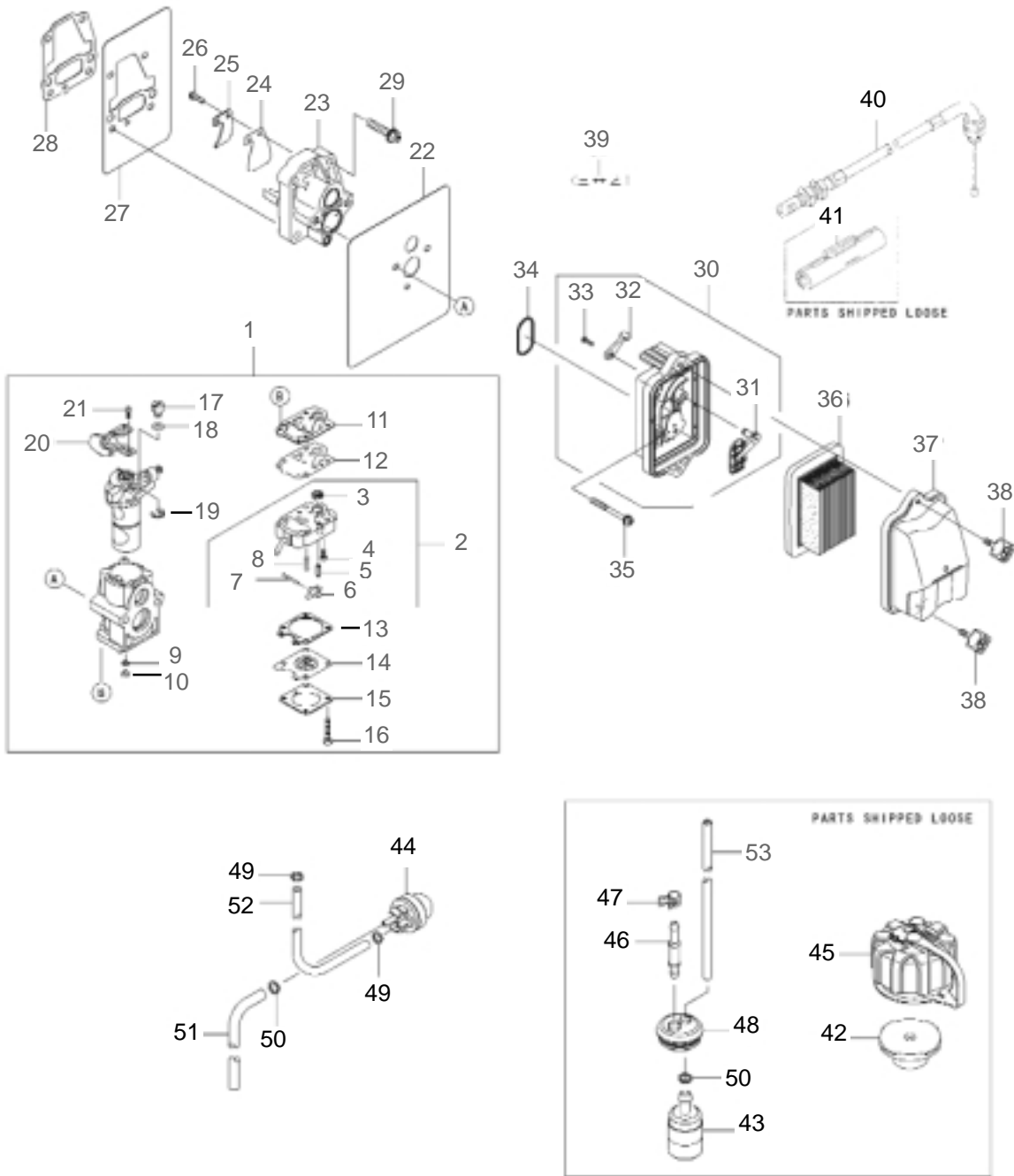
| <b>REF #</b> | <b>PART #</b> | <b>DESCRIPTION</b>   | <b>Q'TY.</b> | <b>NOTES</b> |
|--------------|---------------|----------------------|--------------|--------------|
| 40           | 649378        | Spring               | 1            |              |
| 41           | 649379        | Spring, Recoil       | 1            |              |
| 42           | 649376        | Reel, Recoil Starter | 1            |              |
| 43           | 649370        | Pawl                 | 1            |              |
| 44           | 649371        | Retainer             | 1            |              |
| 45           | 649380        | Screw                | 1            |              |
| 46           | 649373        | Grip, Recoil Starter | 1            |              |
| 47           | 649377        | Rope                 | 1            | 3.5X1000     |
| 48           | 649374        | Pulley, Starting     | 1            |              |
| 49           | 649381        | Nut                  | 1            |              |
| 50           | 624845        | Screw                | 4            | M4X16        |

# CARBURETOR



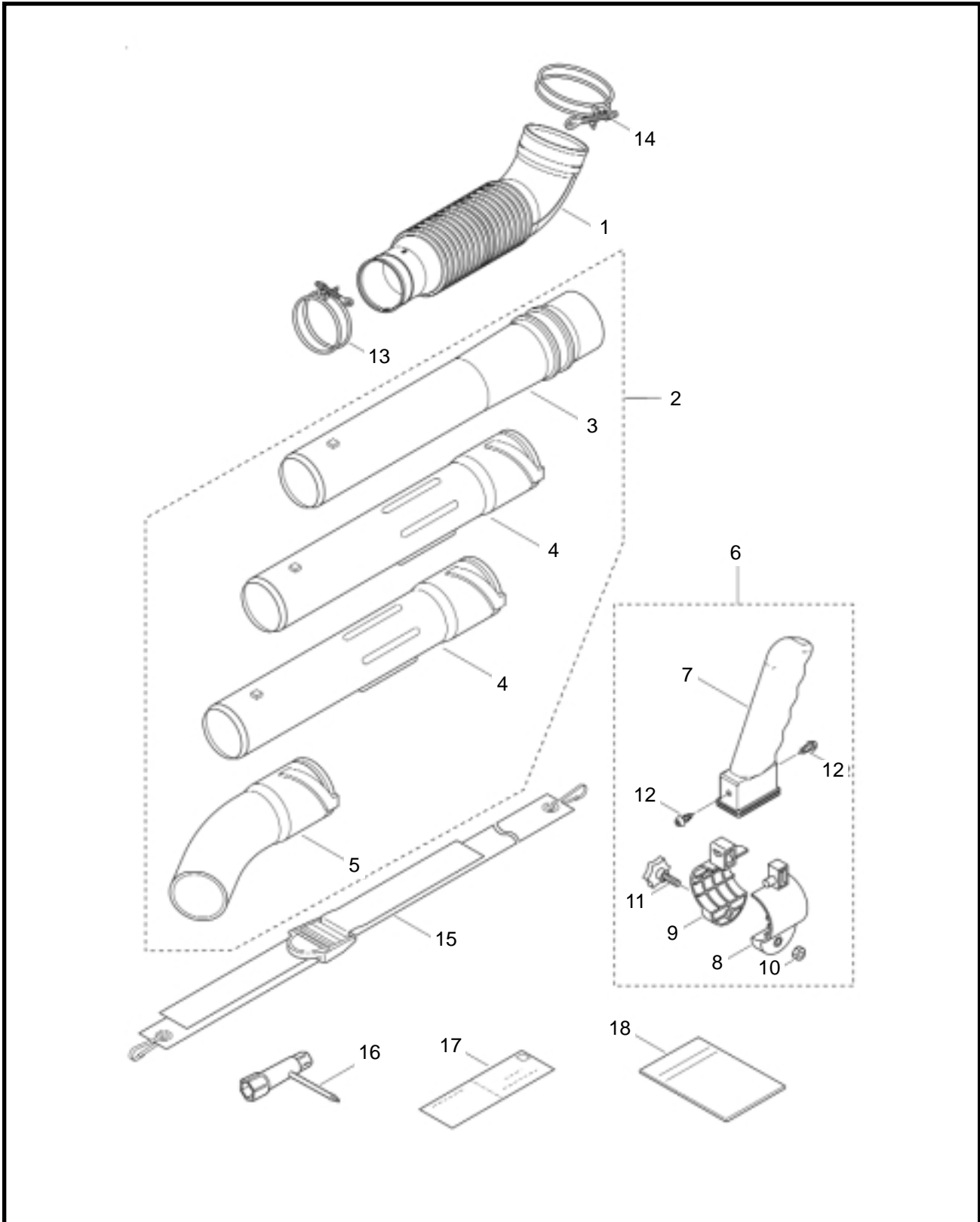
| <b>REF #</b> | <b>PART #</b> | <b>DESCRIPTION</b>       | <b>Q'TY.</b> | <b>NOTES</b> |
|--------------|---------------|--------------------------|--------------|--------------|
| 1            | 649701        | Carburetor Ass'y         | 1            | Incl. 2-21   |
| 2            | 649346        | Body                     | 1            | Incl. 3-8    |
| 3            | 624430        | Filter                   | 1            |              |
| 4            | 624432        | Screw                    | 1            |              |
| 5            | 624431        | Valve, Float             | 1            |              |
| 6            | 624429        | Lever                    | 1            |              |
| 7            | 624433        | Pin                      | 1            |              |
| 8            | 624434        | Spring                   | 1            |              |
| 9            | 577182        | O-Ring                   | 1            |              |
| 10           | 649703        | Main Jet                 | 1            |              |
| 11           | 634350        | Gasket                   | 1            |              |
| 12           | 577185        | Diaphragm, Fuel Pump     | 1            |              |
| 13           | 649339        | Gasket                   | 1            |              |
| 14           | 634357        | Diaphragm, Metering      | 1            |              |
| 15           | 649343        | Cover                    | 1            |              |
| 16           | 649348        | Screw                    | 4            |              |
| 17           | 598415        | Swivel Lug               | 1            |              |
| 18           | 624532        | Washer                   | 1            |              |
| 19           | 577175        | Snap Ring                | 1            |              |
| 20           | 649338        | Bracket                  | 1            |              |
| 21           | 577179        | Screw                    | 2            |              |
| 22           | 649341        | Gasket                   | 1            |              |
| 23           | 649702        | insulator                | 1            |              |
| 24           | 649342        | Valve, Reed              | 1            |              |
| 25           | 649347        | Stopper                  | 1            |              |
| 26           | 649350        | Screw                    | 1            | M3X12        |
| 27           | 649700        | Gasket                   | 1            |              |
| 28           | 649699        | Gasket                   | 1            |              |
| 29           | 577361        | Screw                    | 4            |              |
| 30           | 649705        | Air Filter Case Ass'y    | 1            | Incl. 31-33  |
| 31           | 649708        | Valve                    | 1            |              |
| 32           | 649355        | Lever                    | 1            |              |
| 33           | 628550        | Screw                    | 1            |              |
| 34           | 649359        | O-Ring                   | 1            |              |
| 35           | 944305        | Screw                    | 2            |              |
| 36           | 649704        | Air Filter Element Ass'y | 1            |              |
| 37           | 649707        | Cap, Air Filter          | 1            |              |
| 38           | 649360        | Bolt                     | 2            | M5X18        |
| 39           | 598438        | Label                    | 1            |              |

# CARBURETOR



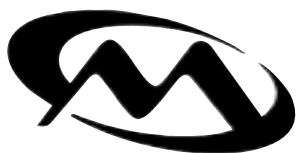
| <b>REF #</b> | <b>PART #</b> | <b>DESCRIPTION</b> | <b>Q'TY.</b> | <b>NOTES</b> |
|--------------|---------------|--------------------|--------------|--------------|
| 40           | 649337        | Throttle Cable     | 1            |              |
| 41           | 212250        | Connector          | 1            |              |
| 42           | 649362        | Breather           | 1            |              |
| 43           | 625872        | Filter, Fuel       | 1            |              |
| 44           | 649363        | Priming Pump       | 1            |              |
| 45           | 649364        | Tank Cap Ass'y     | 1            |              |
| 46           | 632199        | Joint              | 1            |              |
| 47           | 944177        | Clamp              | 1            |              |
| 48           | 597949        | Grommet            | 1            |              |
| 49           | 649365        | Clamp              | 2            |              |
| 50           | 649366        | Clamp              | 2            |              |
| 51           | 649367        | Tube               | 1            | 3X6X145      |
| 52           | 649368        | Tube               | 1            | 2.3X5X93     |
| 53           | 649369        | Tube               | 1            | 3X5X305      |

# ACCESSORIES



| <b>REF #</b> | <b>PART #</b> | <b>DESCRIPTION</b>   | <b>Q'TY.</b> | <b>NOTES</b> |
|--------------|---------------|----------------------|--------------|--------------|
| 1            | 119186        | Flexible Pipe        | 1            |              |
| 2            | 121238        | Blower Pipe Assembly | 1            | Incl. 3-5    |
| 3            | 121242        | Swivel Pipe          | 1            |              |
| 4            | 121243        | Straight Pipe        | 2            | 370L         |
| 5            | 121244        | Bent Pipe            | 1            |              |
| 6            | 122628        | Grip Assembly        | 1            | Incl. 7-12   |
| 7            | 122629        | Grip                 | 1            |              |
| 8            | 123132        | Band A               | 1            |              |
| 9            | 123134        | Band B               | 1            |              |
| 10           | 081031        | Nut                  | 1            | M6           |
| 11           | 122610        | Knob Bolt            | 1            | M6X30L       |
| 12           | 120319        | Tapping Screw        | 2            | M5X18        |
| 13           | 125645        | Wire Clamp, Small    | 1            | #78          |
| 14           | 125647        | Wire Clamp, Large    | 1            | #105         |
| 15           | 125439        | Hip Belt Assembly    | 1            |              |
| 16           | 210418        | Box Spanner          | 1            | 13X19X(+)    |
| 17           | 216007        | Warranty             | 1            |              |
| 18           | 125442        | Instruction Manual   | 1            | BL8100       |





**Maruyama U.S., Inc.**

Post Office Box 309

Auburn, WA 98071

253-735-7368voice

253-735-1416 fax

[www.maruyama-us.com](http://www.maruyama-us.com)