

Is Your Product Registered?

Contact your Dealer to verify.

Warranties are based on Registrations and reduced to 1 year without
Registration.



301 – 30th Street NE, Suite 118, Auburn, WA 98002
PO Box 309, Auburn, WA 98071-0309
Phone (253) 735-7368 Fax (253) 735-1416

ILLUSTRATED PARTS LIST

MODEL: MG51

MANUAL DUSTER

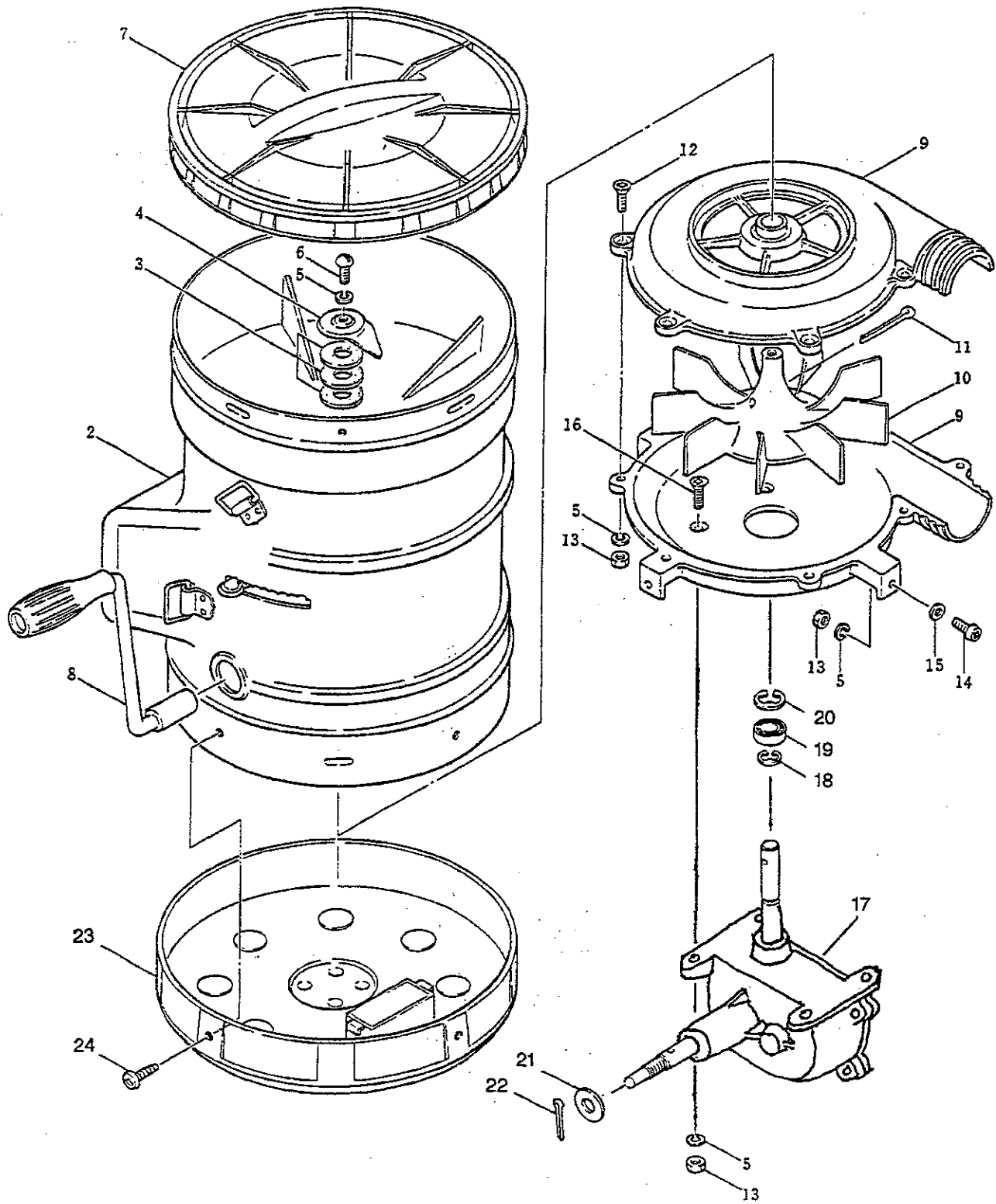
Effective 6-20-93



Maruyama — Manufacturing quality agricultural sprayers and equipment since 1895.

MODEL MG-51

1. Main Body & Tank Assembly

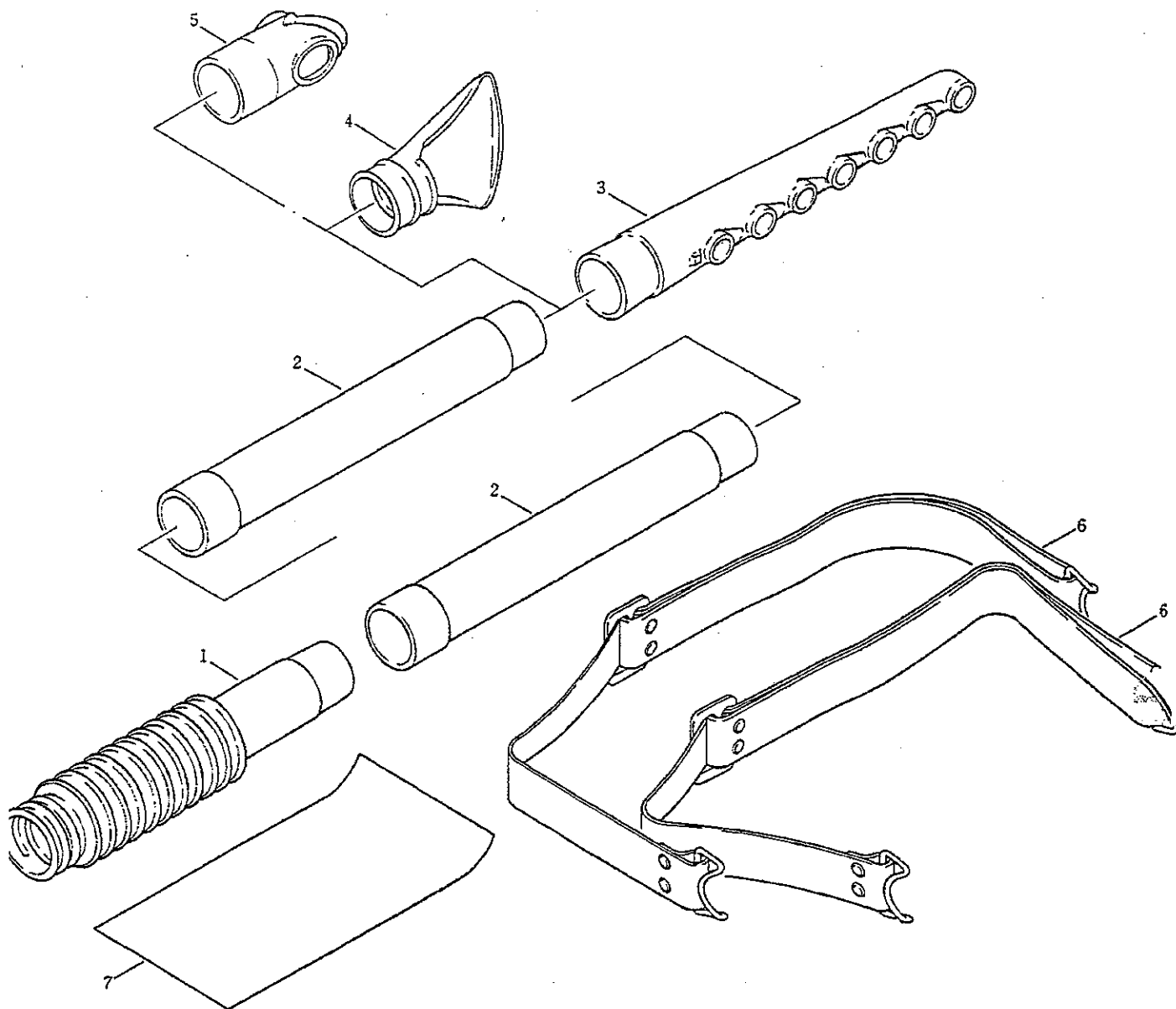


MG-51 MANUAL DUSTER

Ref. No.	Part No.	Part Name	Qty	Remarks
1- 1	338122	MG51	1	
1- 2	570730	Tank Ass'y	1	
1- 3	941002	Felt Packing	3	
1- 4	941003	Agitator	1	
1- 5	941004	Lock Washer	16	M5
1- 6	941005	Screw	1	M5 x 10LH
1- 7	999985	Lid, Tank	1	
1- 8	941011	Handle	1	
1- 9	941012	Fan Case	1	
1-10	570731	Fan	1	
1-11	941014	Cotter Pin	1	ø 3 x 35L
1-12	941015	Screw	7	M5 x 18L
1-13	941016	Nut	15	M5
1-14	941017	Screw	4	M5 x 12L
1-15	941018	Washer	4	M5
1-16	941019	Screw	4	M5 x 18L
1-17	941020	Gear Case Ass'y	1	
1-18	941024	E-Ring	1	ø 8
1-19	570732	Bearing	1	No6000Z
1-20	570733	Snap Ring	1	H26
1-21	941028	Washer	1	M10
1-22	941029	Cotter Pin	1	ø 2.5 x 15
1-23	570737	Tank Base	1	
1-24	570738	Screw	4	M4 x 16 x 10

MODEL MG-51

2. Accessories



Ref. No.	Part No.	Part Name	Qty	Remarks
2- 1	941035	Flexible Pipe	1	
2- 2	941036	Straight Pipe	2	
2- 3	941037	Multi-Blow Nozzle	1	
2- 4	941038	Fan Nozzle	1	
2- 5	941039	Y-Shape Nozzle	1	
2- 6	941040	Shoulder Band	1	
2- 7	570740	Instruction Manual	1	