

Is Your Product Registered?

Contact your Dealer to verify.

Warranties are based on Registrations and reduced to 1 year without  
Registration.

# PARTS LIST

B30L

## CONTENTS

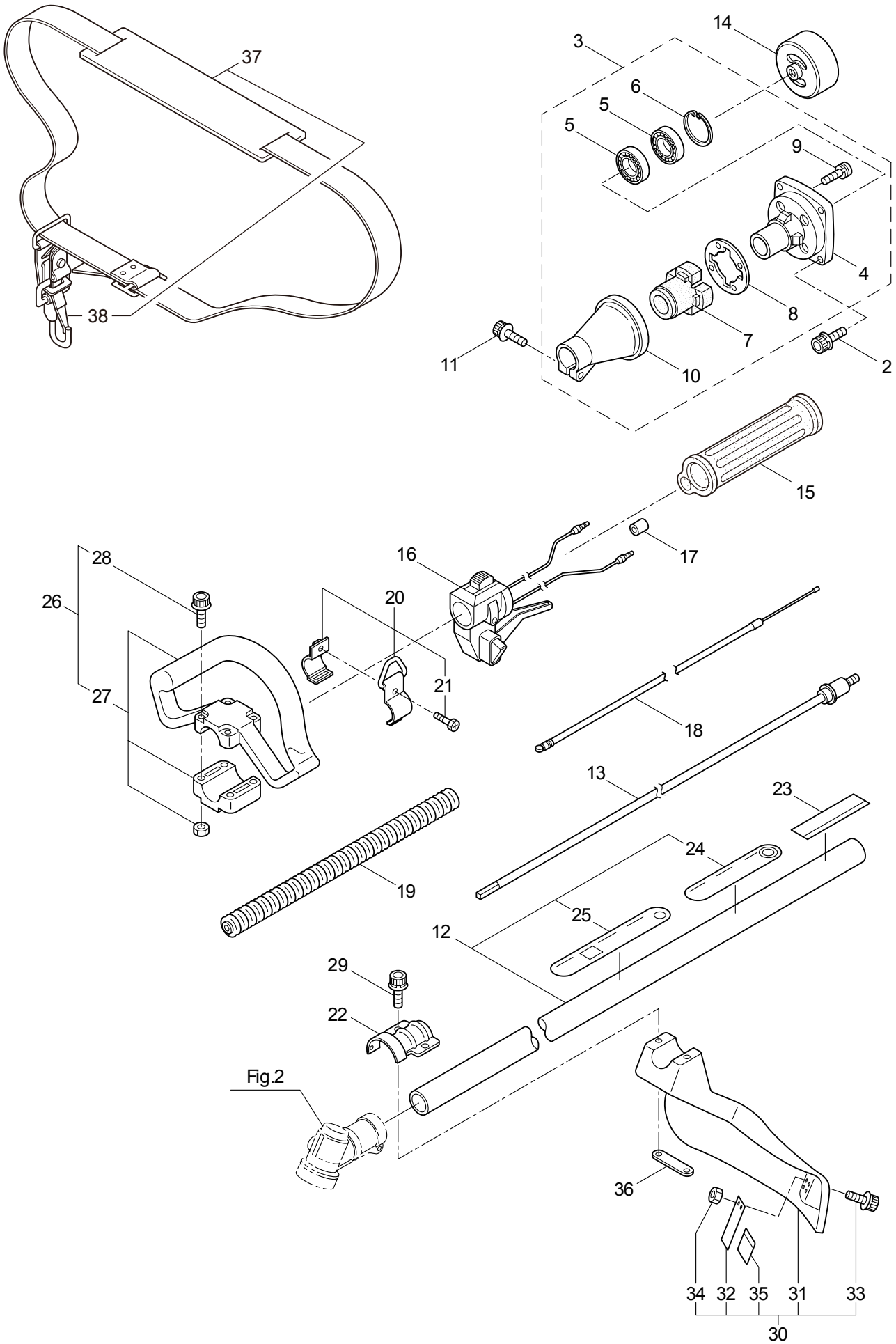
|                                |         |
|--------------------------------|---------|
| 1. MAIN BODY .....             | 1 ~ 2   |
| 2. GEARCASE.....               | 3 ~ 4   |
| 3. ENGINE.....                 | 5 ~ 8   |
| 4. CARBURETOR, FUEL TANK ..... | 9 ~ 12  |
| 5. ACCESSORIES .....           | 13 ~ 14 |

2010. 09.



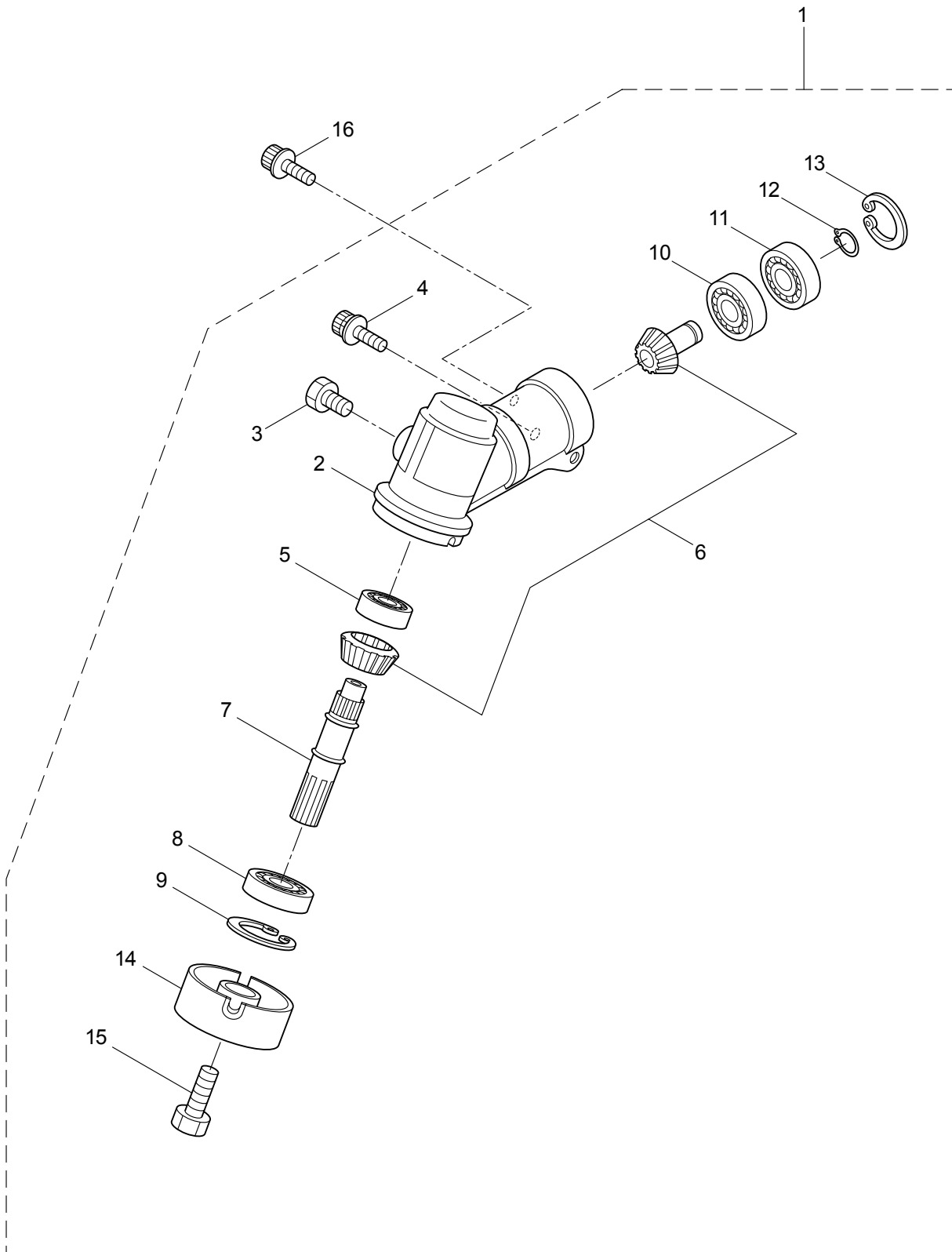
P/N 523054

1. B30L  
MAIN BODY



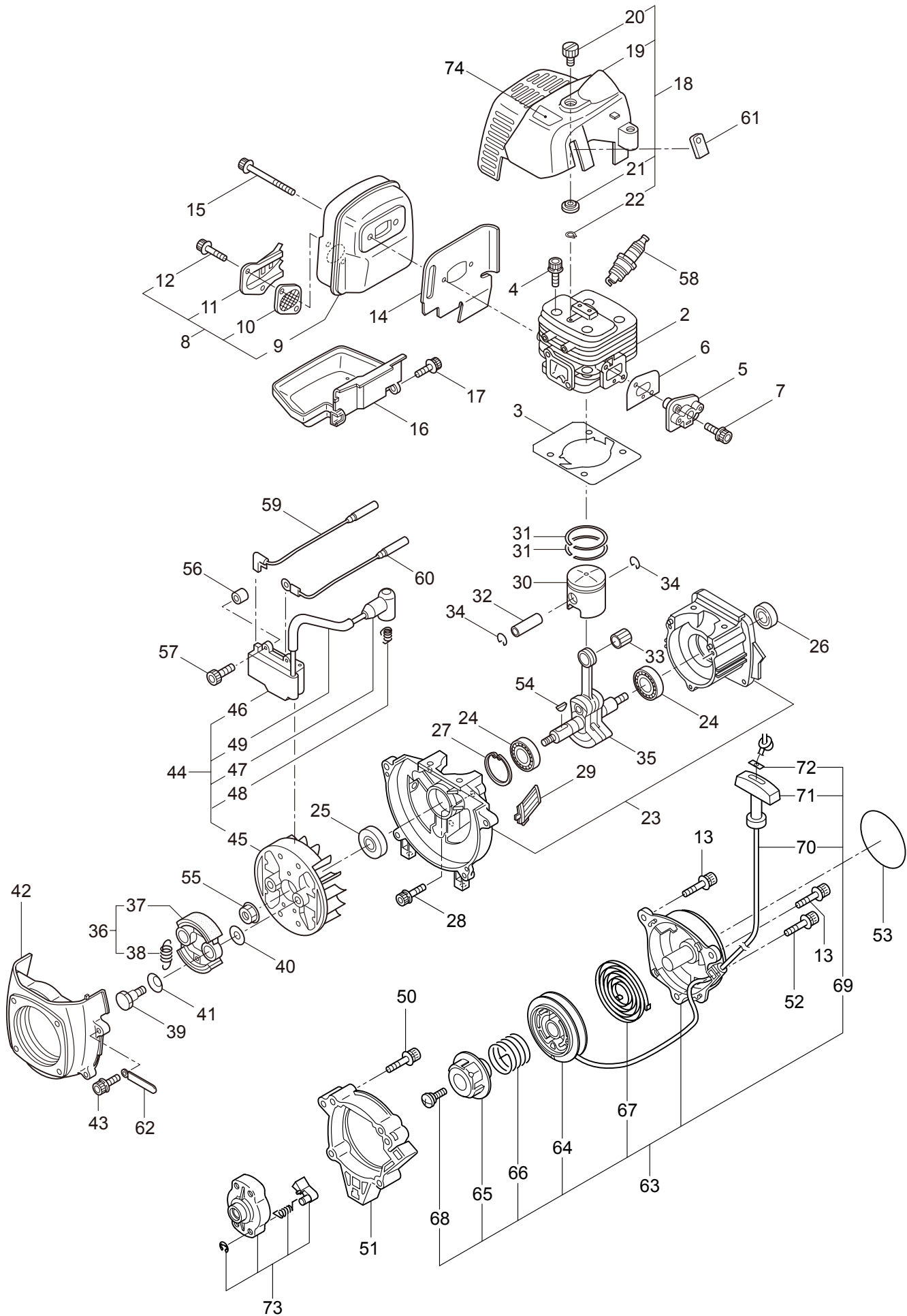
| Ref. No. | Part No. | Part Name               | Q'ty | Remarks    |
|----------|----------|-------------------------|------|------------|
| 1-1      | 363756   | B30L                    | 1    |            |
| 1-2      | 261250   | Cap Screw               | 4    | M5x20      |
| 1-3      | 215512   | Clutch Case Ass'y       | 1    | Incl.4-10  |
| 1-4      | 214592   | Bearing Case            | 1    |            |
| 1-5      | 214161   | Bearing                 | 2    | #6000ZZ    |
| 1-6      | 054676   | Snap Ring               | 1    | #26        |
| 1-7      | 214162   | Buffer                  | 1    |            |
| 1-8      | 214163   | Washer                  | 1    |            |
| 1-9      | 092033   | Screw                   | 4    | M5x15      |
| 1-10     | 214593   | Driveshaft Tube Adapter | 1    |            |
| 1-11     | 261246   | Cap Screw               | 1    | M5x25      |
| 1-12     | 220078   | Driveshaft Tube Ass'y   | 1    | Incl.24,25 |
| 1-13     | 219268   | Driveshaft Ass'y        | 1    |            |
| 1-14     | 054677   | Clutch Drum             | 1    |            |
| 1-15     | 215532   | Shaft Grip              | 1    |            |
| 1-16     | 221465   | Throttle Trigger        | 1    |            |
| 1-17     | 214083   | Outer Guide             | 1    |            |
| 1-18     | 213444   | Throttle Cable          | 1    | 340L       |
| 1-19     | 213548   | Plastic Tube            | 1    | #10x200L   |
| 1-20     | 054691   | Hanging Bracket Ass'y   | 1    | Incl.21    |
| 1-21     | 089738   | Bolt                    | 1    | M5x15      |
| 1-22     | 225962   | Bracket                 | 1    |            |
| 1-23     | 232024   | Label                   | 1    | B30L       |
| 1-24     | 221501   | Label                   | 1    | Warning    |
| 1-25     | 221502   | Label                   | 1    | Caution    |
| 1-26     | 227816   | Loop Handle Ass'y       | 1    | Incl.27,28 |
| 1-27     | 222139   | Loop Handle             | 1    |            |
| 1-28     | 215608   | Cap Screw               | 4    | M5x30x16   |
| 1-29     | 261612   | Cap Screw               | 2    | M5x30      |
| 1-30     | 226300   | Safety Cover Ass'y      | 1    | Incl.31-35 |
| 1-31     | 225961   | Safety Cover            | 1    |            |
| 1-32     | 231493   | String Cutter           | 1    |            |
| 1-33     | 227817   | Bolt                    | 2    | M5x12      |
| 1-34     | 089846   | Nut                     | 2    | M5         |
| 1-35     | 212972   | String Cutter Cover     | 1    |            |
| 1-36     | 225963   | Threaded Bracket        | 1    |            |
| 1-37     | 220533   | Hanging Strap Ass'y     | 1    | Incl.38    |
| 1-38     | 231657   | Hook                    | 1    |            |

2. B30L  
GEARCASE



| Ref. No. | Part No. | Part Name      | Q'ty | Remarks                |
|----------|----------|----------------|------|------------------------|
| 2-1      | 225959   | Gearcase Ass'y | 1    | Incl.2-15              |
| 2-2      | 225960   | Gearcase       | 1    |                        |
| 2-3      | 089101   | Bolt           | 1    | M8x10                  |
| 2-4      | 261246   | Cap Screw      | 1    | M5x25                  |
| 2-5      | 210554   | Bearing        | 1    | #608                   |
| 2-6      | 227106   | Gear Set       | 1    |                        |
| 2-7      | 215762   | Blade Shaft    | 1    |                        |
| 2-8      | 212999   | Bearing        | 1    | #6001 2RK              |
| 2-9      | 055185   | Snap Ring      | 1    | #28                    |
| 2-10     | 210560   | Bearing        | 1    | #609                   |
| 2-11     | 140268   | Bearing        | 1    | #609Z                  |
| 2-12     | 140269   | Snap Ring      | 1    | WR9                    |
| 2-13     | 140270   | Snap Ring      | 1    | #24                    |
| 2-14     | 222890   | Boss Adapter   | 1    |                        |
| 2-15     | 221998   | Bolt           | 1    | M8x12,Counterclockwise |
| 2-16     | 261233   | Cap Screw      | 1    | M5x12                  |

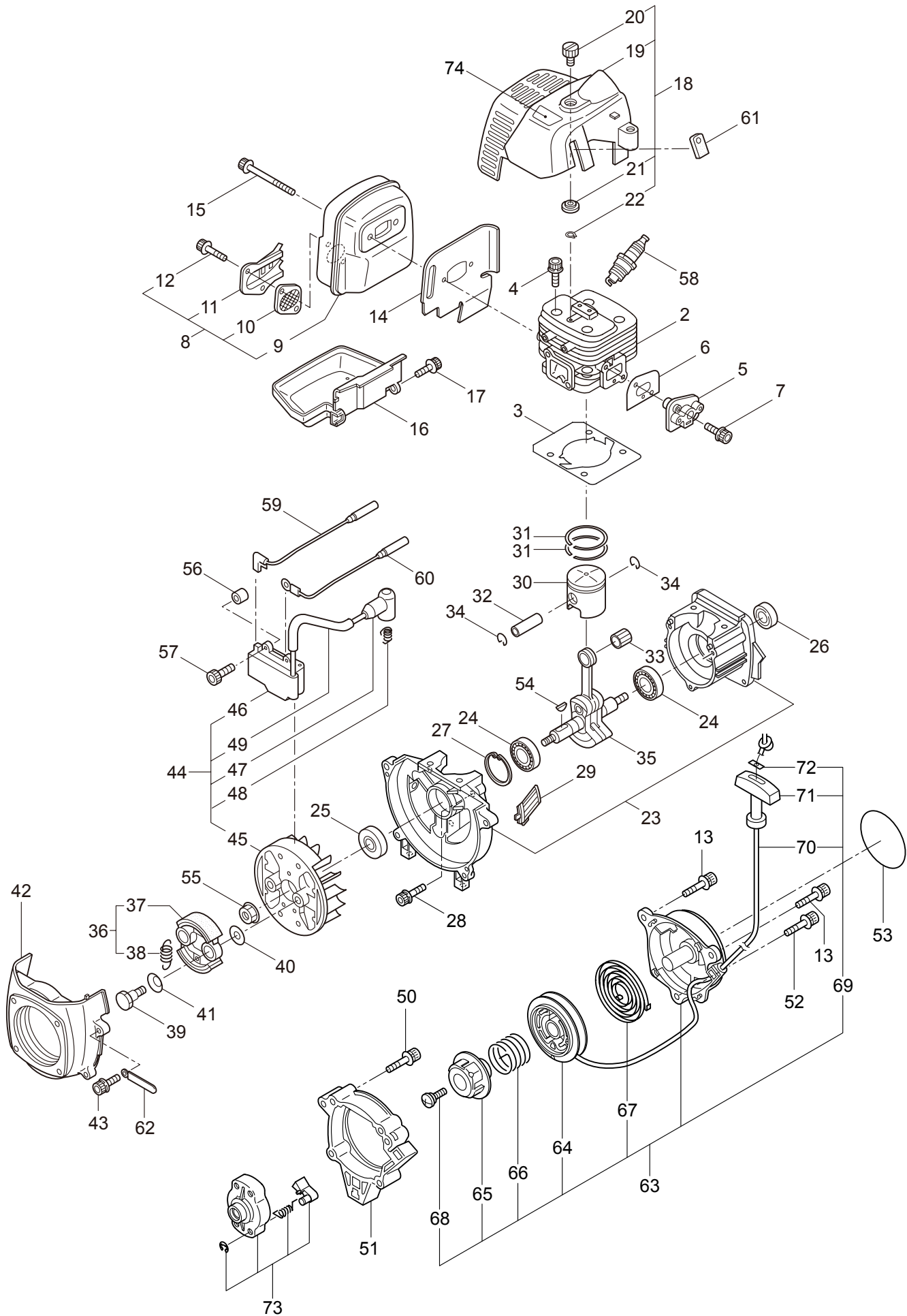
3.B30L  
ENGINE



| Ref. No. | Part No. | Part Name                 | Q'ty | Remarks             |
|----------|----------|---------------------------|------|---------------------|
| 3-1      | 858754   | Engine                    | 1    | CE300/37            |
| 3-2      | 286791   | Cylinder                  | 1    |                     |
| 3-3      | 286846   | Gasket                    | 1    |                     |
| 3-4      | 261250   | Cap Screw                 | 4    | M5x20               |
| 3-5      | 269144   | Insulator                 | 1    | New gasket required |
| 3-6      | 267049   | Gasket                    | 1    |                     |
| 3-7      | 265924   | Cap Screw                 | 2    | M5x25               |
| 3-8      | 283007   | Muffler Ass'y             | 1    | Incl.9-12           |
| 3-9      | 283003   | Muffler Comp.             | 1    |                     |
| 3-10     | 267056   | Spark Arrester            | 1    |                     |
| 3-11     | 268171   | Muffler Tail              | 1    |                     |
| 3-12     | 265107   | Cap Screw                 | 2    | M4x10               |
| 3-13     | 283391   | Cap Screw                 | 2    | M4x20               |
| 3-14     | 281440   | Gasket                    | 1    |                     |
| 3-15     | 266402   | Cap Screw                 | 2    | M5x55               |
| 3-16     | 281435   | Under Cover               | 1    |                     |
| 3-17     | 267191   | Cap Screw                 | 1    | M5x16               |
| 3-18     | 281742   | Top Cover Ass'y           | 1    | Incl.19-22          |
| 3-19     | 281434   | Top Cover                 | 1    |                     |
| 3-20     | 261018   | Knob                      | 1    |                     |
| 3-21     | 261020   | Spacer                    | 1    |                     |
| 3-22     | 261734   | Snap Ring                 | 1    | #5                  |
| 3-23     | 286851   | Crankcase                 | 1    |                     |
| 3-24     | 280488   | Bearing                   | 2    | PPL 6001            |
| 3-25     | 261492   | Oil Seal                  | 1    | ISCD12287           |
| 3-26     | 261386   | Oil Seal                  | 1    | ISCD12227           |
| 3-27     | 055185   | Snap Ring                 | 1    | #28                 |
| 3-28     | 261612   | Cap Screw                 | 3    | M5x30               |
| 3-29     | 281442   | Screen                    | 1    |                     |
| 3-30     | 268782   | Piston                    | 1    |                     |
| 3-31     | 265067   | Piston Ring               | 2    | (2)Required         |
| 3-32     | 265068   | Piston Pin                | 1    |                     |
| 3-33     | 265225   | Bearing,Needle            | 1    |                     |
| 3-34     | 261393   | Clip,Piston Pin           | 2    |                     |
| 3-35     | 265141   | Crankshaft/Conn.Rod Ass'y | 1    |                     |
| 3-36     | 267327   | Clutch Ass'y              | 1    | Incl.37,38          |
| 3-37     | 267342   | Clutch Shoe               | 2    | (2)required         |
| 3-38     | 267345   | Spring,Clutch             | 1    |                     |
| 3-39     | 264505   | Bolt                      | 2    |                     |
| 3-40     | 261189   | Washer                    | 2    | 6x16.5x1.2          |
| 3-41     | 261777   | Wave Washer               | 2    |                     |
| 3-42     | 281433   | Fan Cover                 | 1    |                     |
| 3-43     | 261250   | Cap Screw                 | 4    | M5x20               |
| 3-44     | 286848   | Magneto Ass'y             | 1    | Incl.45-49          |
| 3-45     | 286849   | Rotor/Fan                 | 1    |                     |

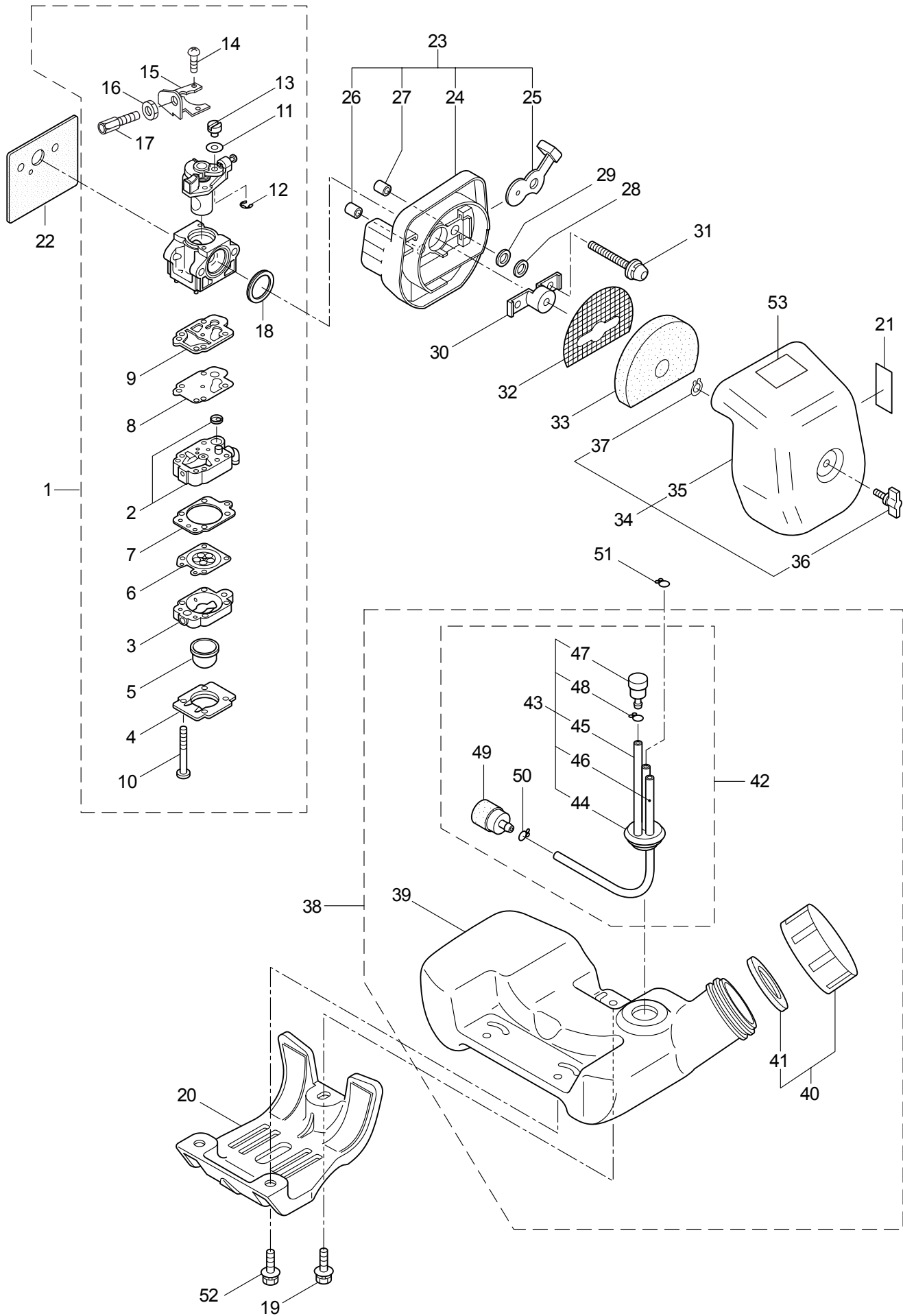


### 3. B30L ENGINE



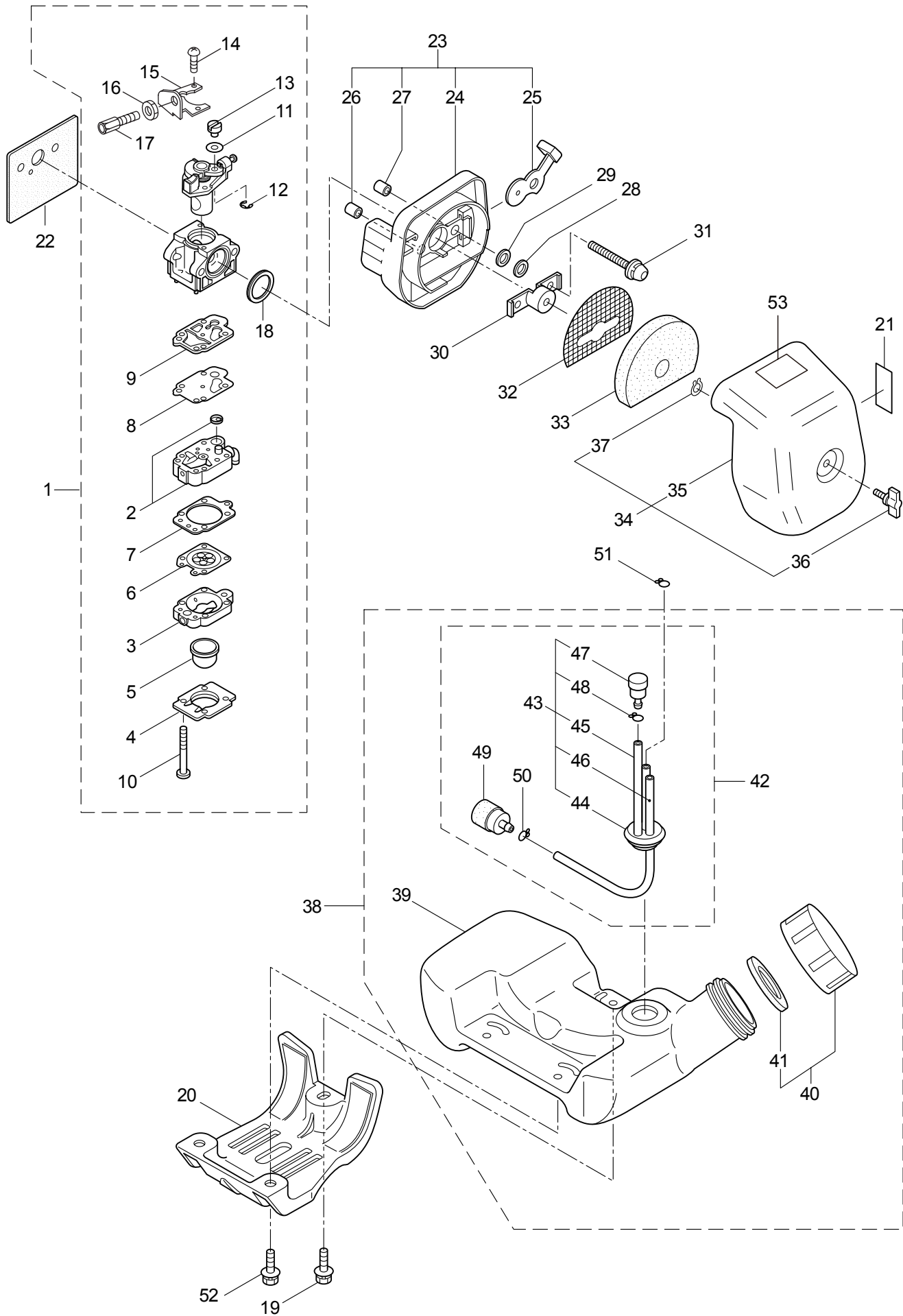
| Ref. No. | Part No. | Part Name           | Q'ty | Remarks     |
|----------|----------|---------------------|------|-------------|
| 3-46     | 281746   | Ignition Coil Ass'y | 1    | Incl.47-49  |
| 3-47     | 269714   | Plug Boot           | 1    |             |
| 3-48     | 269715   | Connector           | 1    |             |
| 3-49     | 281756   | Insulator           | 1    |             |
| 3-50     | 265726   | Cap Screw           | 4    | M4x16       |
| 3-51     | 284698   | Adapter Ass'y       | 1    |             |
| 3-52     | 282096   | Cap Screw           | 1    | M4x16WSW    |
| 3-53     | 287381   | Label               | 1    | B30L/CER300 |
| 3-54     | 261076   | Woodruff Key        | 1    | 3x10        |
| 3-55     | 261417   | Nut,Rotor           | 1    | M8          |
| 3-56     | 280381   | Spacer              | 2    |             |
| 3-57     | 261256   | Cap Screw           | 2    | M4x25       |
| 3-58     | 285982   | Spark Plug          | 1    | NGK BPM8Y   |
| 3-59     | 269722   | Lead                | 1    |             |
| 3-60     | 268044   | Lead                | 1    |             |
| 3-61     | 269189   | Grommet             | 1    |             |
| 3-62     | 264588   | Clamp               | 1    |             |
| 3-63     | 283477   | Recoil Ass'y        | 1    | Incl.64-72  |
| 3-64     | 283504   | Reel                | 1    |             |
| 3-65     | 283505   | Cam Plate           | 1    |             |
| 3-66     | 283506   | Spring              | 1    |             |
| 3-67     | 280931   | Spiral Spring       | 1    |             |
| 3-68     | 267213   | Screw               | 1    |             |
| 3-69     | 283578   | Stator Rope Ass'y   | 1    | Incl.70-72  |
| 3-70     | 283579   | Stator Rope         | 1    |             |
| 3-71     | 261725   | Starter Grip        | 1    |             |
| 3-72     | 283511   | Rope Stopper        | 1    |             |
| 3-73     | 283575   | Starter Pawl Ass'y  | 1    |             |
| 3-74     | 287382   | Label               | 1    | B30L        |

4. B30L  
 CARBURETOR, FUEL TANK



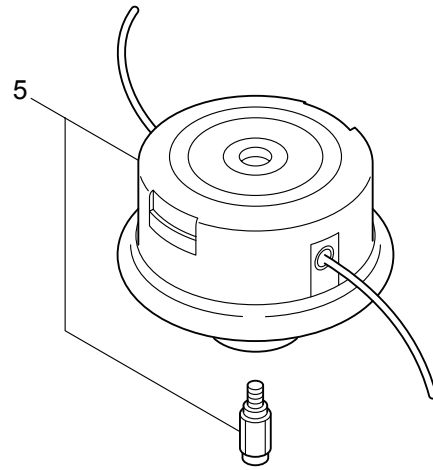
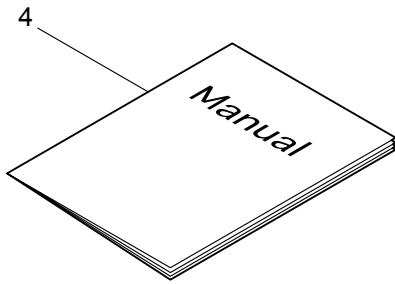
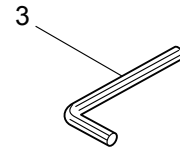
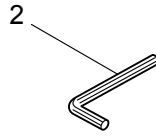
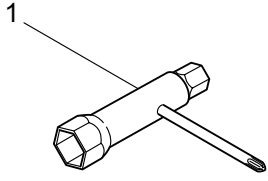
| Ref. No. | Part No. | Part Name               | Q'ty | Remarks                       |
|----------|----------|-------------------------|------|-------------------------------|
| 4-1      | 282542   | Carburetor Ass'y        | 1    | Incl.2-18 New gasket required |
| 4-2      | 264155   | Pump Body               | 1    |                               |
| 4-3      | 262991   | Purge Body              | 1    |                               |
| 4-4      | 262992   | Cover Plate             | 1    |                               |
| 4-5      | 261874   | Primer Bulb             | 1    |                               |
| 4-6      | 283905   | Diaphragm, Meterring    | 1    |                               |
| 4-7      | 262993   | Gasket                  | 1    |                               |
| 4-8      | 262994   | Diaphragm,Fuel Pump     | 1    |                               |
| 4-9      | 282576   | Gasket                  | 1    |                               |
| 4-10     | 262996   | Screw                   | 4    |                               |
| 4-11     | 264678   | Washer                  | 1    |                               |
| 4-12     | 261876   | E-Ring                  | 1    |                               |
| 4-13     | 261658   | Swivel                  | 1    |                               |
| 4-14     | 261875   | Screw                   | 2    |                               |
| 4-15     | 264677   | Bracket                 | 1    |                               |
| 4-16     | 261878   | Nut                     | 1    |                               |
| 4-17     | 263994   | Adapter                 | 1    |                               |
| 4-18     | 261657   | Packing                 | 1    |                               |
| 4-19     | 281715   | Cap Screw               | 1    | M5x20                         |
| 4-20     | 281441   | Stand                   | 1    |                               |
| 4-21     | 261352   | Label                   | 1    | Choke                         |
| 4-22     | 269762   | Gasket                  | 1    |                               |
| 4-23     | 268055   | Air Filter Case Ass'y   | 1    | Incl.24-27                    |
| 4-24     | 268056   | Air Filter Case         | 1    |                               |
| 4-25     | 268057   | Valve                   | 1    |                               |
| 4-26     | 268157   | Sleeve                  | 1    | 5.5x7.1x6L                    |
| 4-27     | 268412   | Sleeve                  | 1    | 5.5x7.1x6.6L                  |
| 4-28     | 263345   | Packing                 | 1    | 7.2x11xt1.3                   |
| 4-29     | 263942   | Washer                  | 1    | 7.2x12xt0.15                  |
| 4-30     | 263815   | Stay                    | 1    |                               |
| 4-31     | 264016   | Cap Screw               | 2    | M5x60                         |
| 4-32     | 265026   | Screen                  | 1    |                               |
| 4-33     | 265027   | Foam Element            | 1    |                               |
| 4-34     | 268058   | Air Filter Cover Ass'y  | 1    | Incl.35-37                    |
| 4-35     | 268059   | Air Filter Cover        | 1    |                               |
| 4-36     | 281438   | Knob                    | 1    |                               |
| 4-37     | 261734   | Snap Ring               | 1    | #5                            |
| 4-38     | 285226   | Fuel Tank Ass'y         | 1    | Incl.39-50                    |
| 4-39     | 284820   | Fuel Tank               | 1    |                               |
| 4-40     | 281565   | Fuel Tank Cap Ass'y     | 1    | Incl.41                       |
| 4-41     | 269377   | Gasket                  | 1    |                               |
| 4-42     | 282538   | Fuel Pipe Pick-up Ass'y | 1    | Incl.43-50                    |
| 4-43     | 282539   | Fuel Pipe Ass'y         | 1    | Incl.44-48                    |
| 4-44     | 268065   | Grommet                 | 1    |                               |
| 4-45     | 282541   | Return Pipe             | 1    | 3x6x151L                      |

4. B30L  
 CARBURETOR, FUEL TANK



| Ref. No. | Part No. | Part Name    | Q'ty | Remarks |
|----------|----------|--------------|------|---------|
| 4-46     | 261690   | Fuel Pipe    | 1    | 160L    |
| 4-47     | 261590   | Breather     | 1    |         |
| 4-48     | 261117   | Clip         | 1    |         |
| 4-49     | 264653   | Filter Ass'y | 1    |         |
| 4-50     | 261117   | Clip         | 1    |         |
| 4-51     | 261117   | Clip         | 1    |         |
| 4-52     | 281714   | Cap Screw    | 2    | M5x20   |
| 4-53     | 285188   | Label        | 1    |         |

5. B30L  
ACCESSORIES



| Ref. No. | Part No. | Part Name          | Q'ty | Remarks   |
|----------|----------|--------------------|------|-----------|
| 5-1      | 210418   | Box Spanner        | 1    | 13x19x(+) |
| 5-2      | 219431   | Wrench             | 1    | 3mm       |
| 5-3      | 219432   | Wrench             | 1    | 4mm       |
| 5-4      | 232025   | Instruction Manual | 1    |           |
| 5-5      | 840399   | Semi-Auto Head(L)5 | 1    |           |