

Is Your Product Registered?

Contact your Dealer to verify.

Warranties are based on Registrations and reduced to 1 year without
Registration.

PARTS LIST

E27

CONTENTS

| | |
|--------------------------------|---------|
| 1. MAIN BODY | 1 ~ 4 |
| 2. ACCESSORIES | 5 ~ 6 |
| 3. ENGINE | 7 ~ 10 |
| 4. CARBURETOR, FUEL TANK | 11 ~ 14 |

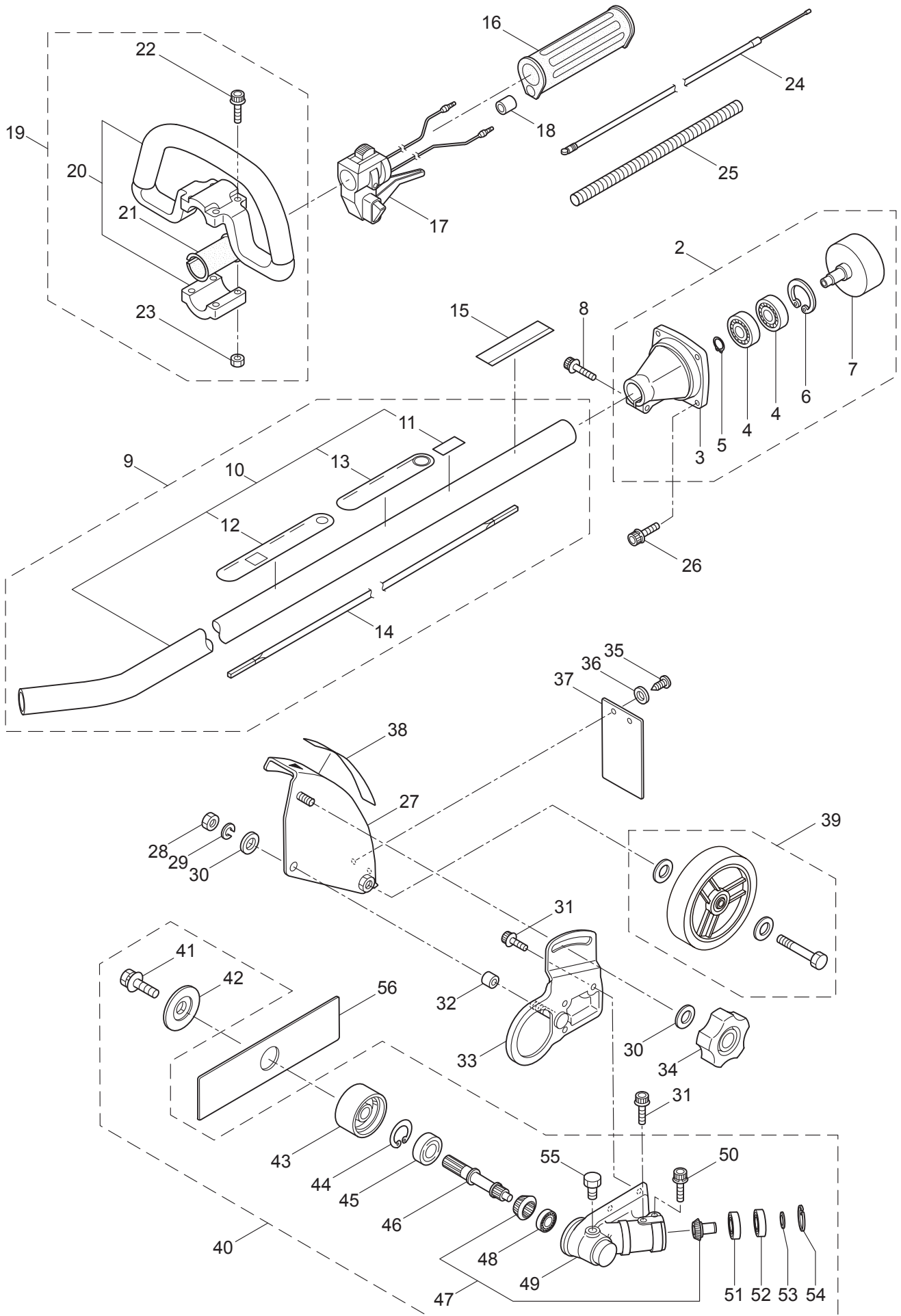
2013. 01.



MARUYAMA

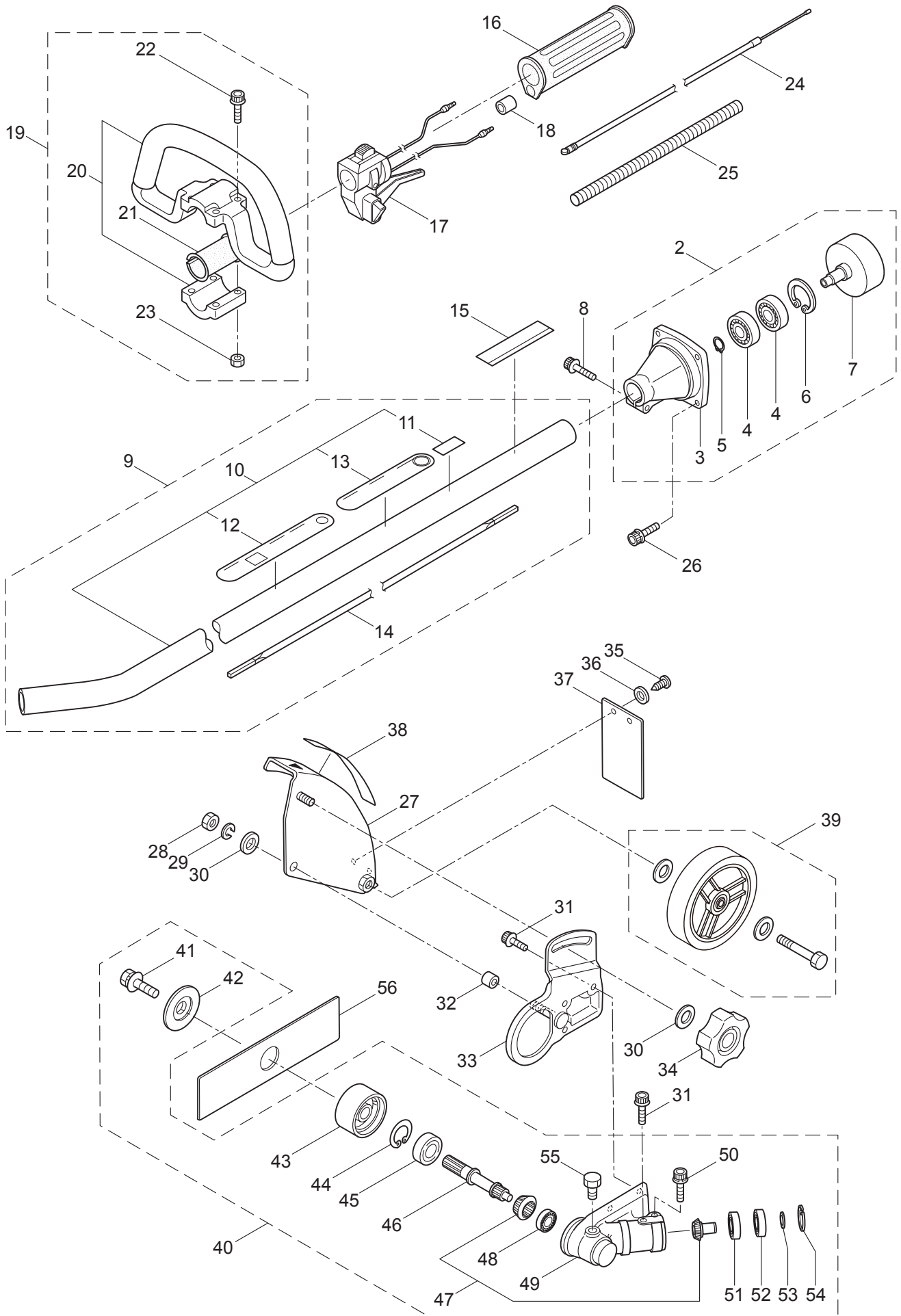
P/N 523543

1. E27
MAIN BODY



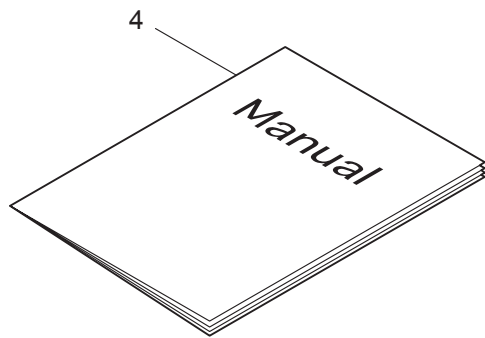
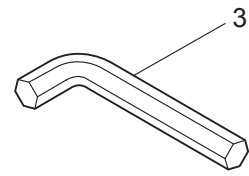
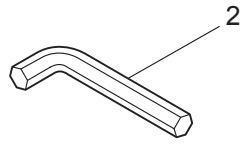
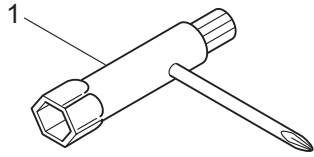
| Ref. No. | Part No. | Part Name | Q'ty | Remarks |
|----------|----------|-----------------------|------|------------------------|
| 1-1 | 364083 | E27 | 1 | |
| 1-2 | 220155 | Clutch Case Ass'y | 1 | Incl.3-7 |
| 1-3 | 220156 | Clutch Case | 1 | |
| 1-4 | 214161 | Bearing | 2 | #6000ZZ |
| 1-5 | 014210 | Snap Ring | 1 | #10 |
| 1-6 | 054676 | Snap Ring | 1 | #26 |
| 1-7 | 218588 | Clutch Drum | 1 | |
| 1-8 | 261246 | Cap Screw | 1 | M5x25 |
| 1-9 | 224556 | Driveshaft Kit | 1 | Incl.10-14 |
| 1-10 | 224557 | Driveshaft Tube Ass'y | 1 | Incl.11-13 |
| 1-11 | 223926 | Label | 1 | Lubricate |
| 1-12 | 221501 | Label | 1 | Warning |
| 1-13 | 221502 | Label | 1 | Caution |
| 1-14 | 224555 | Driveshaft | 1 | |
| 1-15 | 234299 | Label | 1 | E27 |
| 1-16 | 215532 | Shaft Grip | 1 | |
| 1-17 | 221465 | Throttle Trigger | 1 | |
| 1-18 | 214083 | Outer Guide | 1 | |
| 1-19 | 215601 | Loop Handle Ass'y | 1 | Incl.20-23 |
| 1-20 | 214982 | Loop Handle | 1 | |
| 1-21 | 213171 | Packing | 1 | |
| 1-22 | 215608 | Cap Screw | 4 | M5x30x16 |
| 1-23 | 081027 | Nut | 4 | M5 |
| 1-24 | 213444 | Throttle Cable | 1 | 340L |
| 1-25 | 215403 | Plastic Tube | 1 | |
| 1-26 | 261250 | Cap Screw | 4 | M5x20 |
| 1-27 | 220158 | Shield | 1 | |
| 1-28 | 126521 | Nut | 1 | M8 |
| 1-29 | 126232 | Spring Washer | 1 | M8 |
| 1-30 | 127216 | Washer | 2 | M8 |
| 1-31 | 215993 | Cap Screw | 4 | M5x10 |
| 1-32 | 220165 | Collar | 1 | 8.2x10x8L |
| 1-33 | 229572 | Plate | 1 | |
| 1-34 | 219088 | Clamping Knob Ass'y | 1 | |
| 1-35 | 128195 | Screw | 2 | M4x8 |
| 1-36 | 550163 | Washer | 2 | 4.3x12xt0.8 |
| 1-37 | 220162 | Flap | 1 | |
| 1-38 | 221528 | Label | 1 | Caution |
| 1-39 | 229590 | Wheel Ass'y | 1 | |
| 1-40 | 220168 | Gearcase Ass'y | 1 | Incl.41-55 |
| 1-41 | 215610 | Bolt | 1 | M8x22,Counterclockwise |
| 1-42 | 232852 | Clamping Washer | 1 | |
| 1-43 | 220148 | Boss Adapter | 1 | |
| 1-44 | 055185 | Snap Ring | 1 | #28 |
| 1-45 | 212999 | Bearing | 1 | #6001 2RK |

1. E27
MAIN BODY



| Ref. No. | Part No. | Part Name | Q'ty | Remarks |
|----------|----------|---------------|------|-------------|
| 1-46 | 216056 | Blade Shaft | 1 | |
| 1-47 | 227101 | Gear Set | 1 | |
| 1-48 | 210554 | Bearing | 1 | #608 |
| 1-49 | 219077 | Gearcase | 1 | |
| 1-50 | 261246 | Cap Screw | 1 | M5x25 |
| 1-51 | 210560 | Bearing | 1 | #609 |
| 1-52 | 140268 | Bearing | 1 | #609Z |
| 1-53 | 228477 | Snap Ring | 1 | #9 |
| 1-54 | 140270 | Snap Ring | 1 | #24 |
| 1-55 | 234109 | Bolt | 1 | M8x8 |
| 1-56 | 216062 | Cutting Blade | 1 | 50x195xt3.2 |

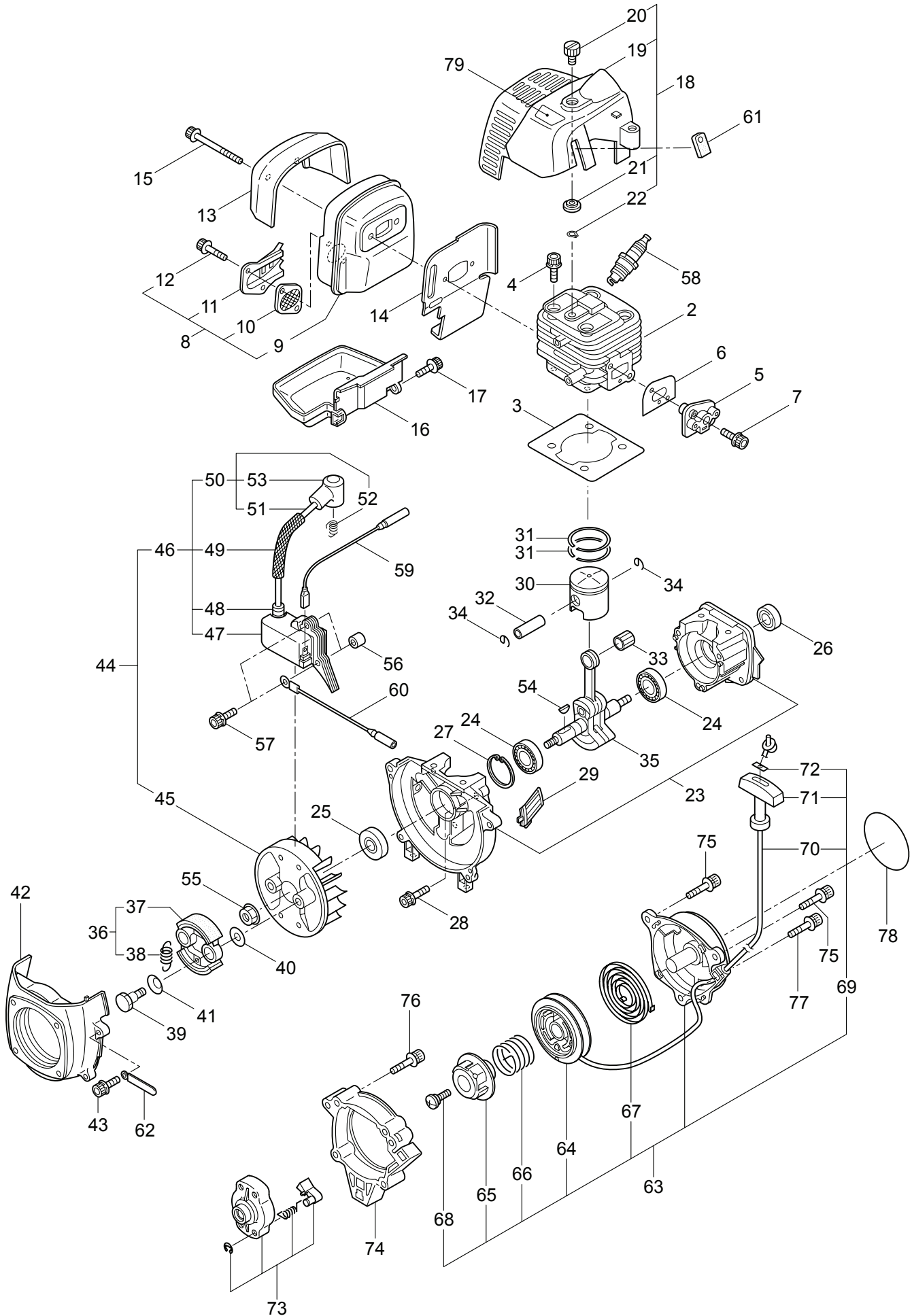
2. E27
ACCESSORIES



| Ref. No. | Part No. | Part Name | Q'ty | Remarks |
|----------|----------|--------------------|------|-----------|
| 2-1 | 210418 | Box Spanner | 1 | 13x19x(+) |
| 2-2 | 219431 | Wrench | 1 | 3mm |
| 2-3 | 219432 | Wrench | 1 | 4mm |
| 2-4 | 234303 | Instruction Manual | 1 | E23/27 |

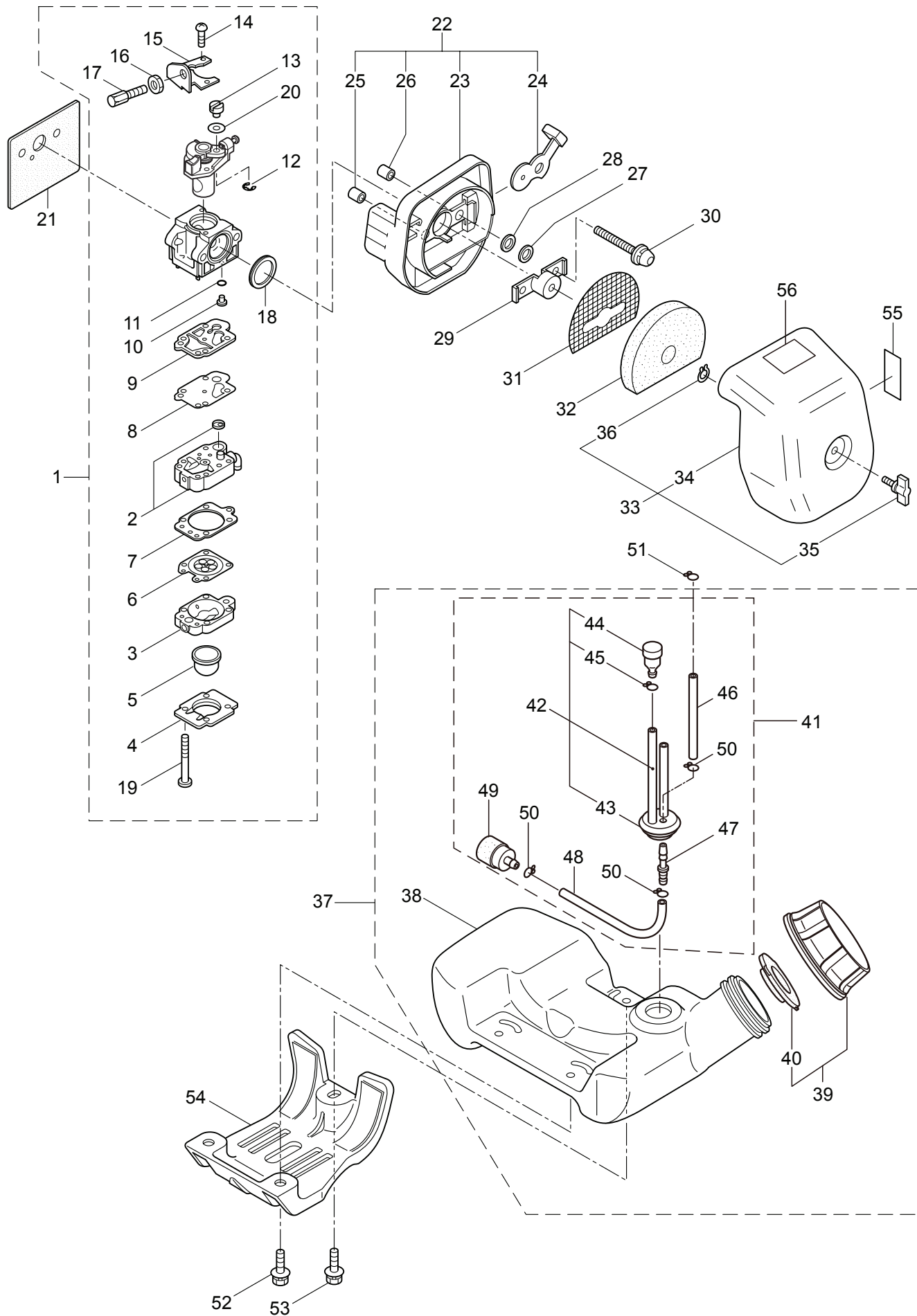
| Ref. No. | Part No. | Part Name | Q'ty | Remarks |
|----------|----------|---------------------------|------|---------------------|
| 3-1 | 859299 | Engine | 1 | CE260/39 |
| 3-2 | 283734 | Cylinder | 1 | |
| 3-3 | 283783 | Gasket | 1 | |
| 3-4 | 261250 | Cap Screw | 4 | M5x20 |
| 3-5 | 269144 | Insulator | 1 | New gasket required |
| 3-6 | 267049 | Gasket | 1 | |
| 3-7 | 265924 | Cap Screw | 2 | M5x25 |
| 3-8 | 282208 | Muffler Ass'y | 1 | Incl.9-12 |
| 3-9 | 282209 | Muffler Comp. | 1 | |
| 3-10 | 267056 | Spark Arrester | 1 | |
| 3-11 | 268171 | Muffler Tail | 1 | |
| 3-12 | 265107 | Cap Screw | 2 | M4x10 |
| 3-13 | 284071 | Holder | 1 | |
| 3-14 | 283940 | Gasket | 1 | |
| 3-15 | 266402 | Cap Screw | 2 | M5x55 |
| 3-16 | 281435 | Under Cover | 1 | |
| 3-17 | 267191 | Cap Screw | 1 | M5x16 |
| 3-18 | 281742 | Top Cover Ass'y | 1 | Incl.19-22 |
| 3-19 | 281434 | Top Cover | 1 | |
| 3-20 | 261018 | Knob | 1 | |
| 3-21 | 261020 | Spacer | 1 | |
| 3-22 | 261734 | Snap Ring | 1 | #5 |
| 3-23 | 289582 | Crankcase | 1 | |
| 3-24 | 280488 | Bearing | 2 | PPL 6001 |
| 3-25 | 261492 | Oil Seal | 1 | ISCD12287 |
| 3-26 | 261386 | Oil Seal | 1 | ISCD12227 |
| 3-27 | 055185 | Snap Ring | 1 | #28 |
| 3-28 | 261612 | Cap Screw | 3 | M5x30 |
| 3-29 | 281442 | Screen | 1 | |
| 3-30 | 268247 | Piston | 1 | |
| 3-31 | 261496 | Piston Ring | 2 | (2)Required |
| 3-32 | 261497 | Piston Pin | 1 | |
| 3-33 | 261037 | Bearing,Needle | 1 | KBK8x11x11.8x1 |
| 3-34 | 261576 | Clip,Piston | 2 | |
| 3-35 | 265197 | Crankshaft/Conn.Rod Ass'y | 1 | |
| 3-36 | 267327 | Clutch Ass'y | 1 | Incl.37,38 |
| 3-37 | 267342 | Clutch Shoe | 2 | (2)required |
| 3-38 | 267345 | Spring,Clutch | 1 | |
| 3-39 | 264505 | Bolt | 2 | |
| 3-40 | 261189 | Washer | 2 | 6x16.5xt1.2 |
| 3-41 | 261777 | Wave Washer | 2 | |
| 3-42 | 281433 | Fan Cover | 1 | |
| 3-43 | 261250 | Cap Screw | 4 | M5x20 |
| 3-44 | 283729 | Magneto Ass'y | 1 | Incl.45-53 |
| 3-45 | 268253 | Rotor/Fan | 1 | |

3. E27 ENGINE



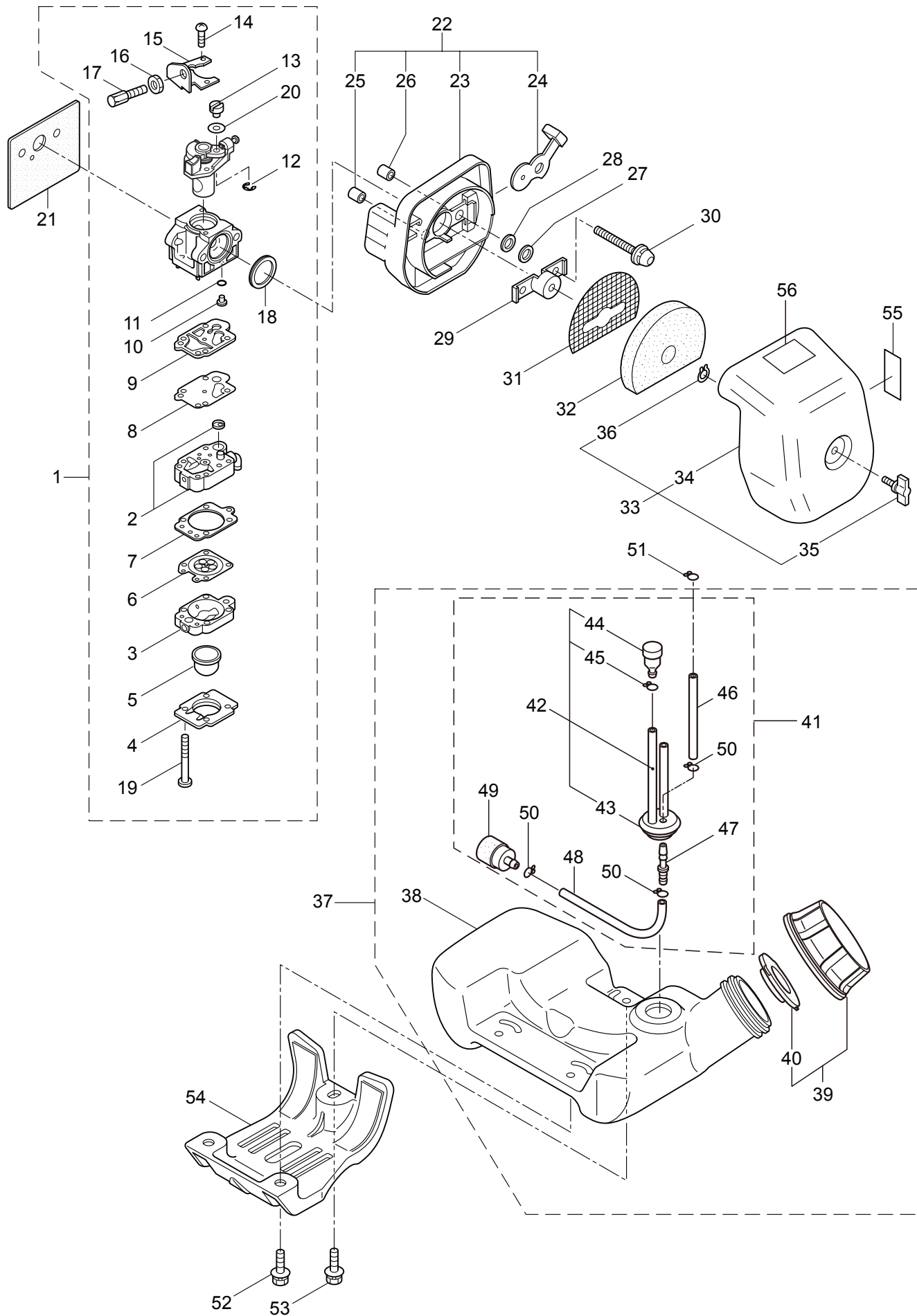
| Ref. No. | Part No. | Part Name | Q'ty | Remarks |
|----------|----------|-----------------------|------|--------------|
| 3-46 | 283705 | Ignition Coil Ass'y | 1 | Incl.47-53 |
| 3-47 | 283730 | Coil | 1 | |
| 3-48 | 261072 | Cap | 1 | |
| 3-49 | 283731 | Tube | 1 | |
| 3-50 | 283732 | Spark Plug Wire Ass'y | 1 | Incl.51-53 |
| 3-51 | 283733 | Spark Plug Wire | 1 | |
| 3-52 | 261075 | Connector | 1 | |
| 3-53 | 261074 | Plug Boot | 1 | |
| 3-54 | 261076 | Woodruff Key | 1 | 3x10 |
| 3-55 | 261417 | Nut,Rotor | 1 | M8 |
| 3-56 | 280381 | Spacer | 2 | |
| 3-57 | 261256 | Cap Screw | 2 | M4x25 |
| 3-58 | 285982 | Spark Plug | 1 | NGK BPM8Y |
| 3-59 | 261772 | Lead | 1 | |
| 3-60 | 268044 | Lead | 1 | |
| 3-61 | 269189 | Grommet | 1 | |
| 3-62 | 264588 | Clamp | 1 | |
| 3-63 | 283477 | Recoil Ass'y | 1 | Incl.64-72 |
| 3-64 | 283504 | Reel | 1 | |
| 3-65 | 283505 | Cam Plate | 1 | |
| 3-66 | 283506 | Spring | 1 | |
| 3-67 | 280931 | Spiral Spring | 1 | |
| 3-68 | 267213 | Screw | 1 | |
| 3-69 | 283578 | Stator Rope Ass'y | 1 | Incl.70-72 |
| 3-70 | 283579 | Stator Rope | 1 | |
| 3-71 | 261725 | Starter Grip | 1 | |
| 3-72 | 283511 | Rope Stopper | 1 | |
| 3-73 | 283575 | Starter Pawl Ass'y | 1 | |
| 3-74 | 284698 | Adapter Ass'y | 1 | |
| 3-75 | 283391 | Cap Screw | 2 | M4x20 |
| 3-76 | 265726 | Cap Screw | 4 | M4x16 |
| 3-77 | 282096 | Cap Screw | 1 | M4x16WSW |
| 3-78 | 272329 | Label | 1 | E27 |
| 3-79 | 272330 | Label | 1 | MARUYAMA E27 |

4. E27
 CARBURETOR, FUEL TANK



| Ref. No. | Part No. | Part Name | Q'ty | Remarks |
|----------|----------|-------------------------|------|--------------|
| 4-1 | 283898 | Carburetor Ass'y | 1 | Incl.2-20 |
| 4-2 | 264155 | Pump Body | 1 | |
| 4-3 | 262991 | Purge Body | 1 | |
| 4-4 | 262992 | Cover Plate | 1 | |
| 4-5 | 261874 | Primer Bulb | 1 | |
| 4-6 | 283905 | Diaphragm, Meterring | 1 | |
| 4-7 | 262993 | Gasket | 1 | |
| 4-8 | 262994 | Diaphragm,Fuel Pump | 1 | |
| 4-9 | 282576 | Gasket | 1 | |
| 4-10 | 281487 | Main Jet | 1 | #37 |
| 4-11 | 261871 | O-Ring | 1 | |
| 4-12 | 261876 | E-Ring | 1 | |
| 4-13 | 261658 | Swivel | 1 | |
| 4-14 | 261875 | Screw | 2 | |
| 4-15 | 264677 | Bracket | 1 | |
| 4-16 | 261878 | Nut | 1 | |
| 4-17 | 263994 | Adapter | 1 | |
| 4-18 | 261657 | Packing | 1 | |
| 4-19 | 262996 | Screw | 4 | |
| 4-20 | 264678 | Washer | 1 | |
| 4-21 | 269762 | Gasket | 1 | |
| 4-22 | 268055 | Air Filter Case Ass'y | 1 | Incl.23-26 |
| 4-23 | 268056 | Air Filter Case | 1 | |
| 4-24 | 268057 | Valve | 1 | |
| 4-25 | 268157 | Sleeve | 1 | 5.5x7.1x6L |
| 4-26 | 268412 | Sleeve | 1 | 5.5x7.1x6.6L |
| 4-27 | 263345 | Packing | 1 | 7.2x11xt1.3 |
| 4-28 | 263942 | Washer | 1 | 7.2x12xt0.15 |
| 4-29 | 263815 | Stay | 1 | |
| 4-30 | 264016 | Cap Screw | 2 | M5x60 |
| 4-31 | 265026 | Screen | 1 | |
| 4-32 | 265027 | Foam Element | 1 | |
| 4-33 | 268058 | Air Filter Cover Ass'y | 1 | Incl.34-36 |
| 4-34 | 268059 | Air Filter Cover | 1 | |
| 4-35 | 281438 | Knob | 1 | |
| 4-36 | 261734 | Snap Ring | 1 | #5 |
| 4-37 | 289034 | Fuel Tank Ass'y | 1 | Incl.38-50 |
| 4-38 | 284820 | Fuel Tank | 1 | |
| 4-39 | 289043 | Fuel Tank Cap Ass'y | 1 | Incl.40 |
| 4-40 | 287058 | Gasket | 1 | |
| 4-41 | 289035 | Fuel Pipe Pick-up Ass'y | 1 | Incl.42-50 |
| 4-42 | 289036 | Fuel Pipe Ass'y | 1 | Incl.43-45 |
| 4-43 | 268065 | Grommet | 1 | |
| 4-44 | 261590 | Breather | 1 | |
| 4-45 | 261117 | Clip | 1 | |

4. E27
 CARBURETOR, FUEL TANK



| Ref. No. | Part No. | Part Name | Q'ty | Remarks |
|----------|----------|--------------|------|----------|
| 4-46 | 289028 | Pipe A | 1 | 3x5x53L |
| 4-47 | 288921 | Joint | 1 | |
| 4-48 | 289033 | Pipe | 1 | 3x5x100L |
| 4-49 | 264653 | Filter Ass'y | 1 | |
| 4-50 | 261117 | Clip | 3 | |
| 4-51 | 261117 | Clip | 1 | |
| 4-52 | 281714 | Cap Screw | 2 | M5x20 |
| 4-53 | 281715 | Cap Screw | 1 | M5x20 |
| 4-54 | 281441 | Stand | 1 | |
| 4-55 | 261352 | Label | 1 | Choke |
| 4-56 | 285188 | Label | 1 | |