

Is Your Product Registered?

Contact your Dealer to verify.

Warranties are based on Registrations and reduced to 1 year without
Registration.

PARTS LIST

M30BK-S

CONTENTS

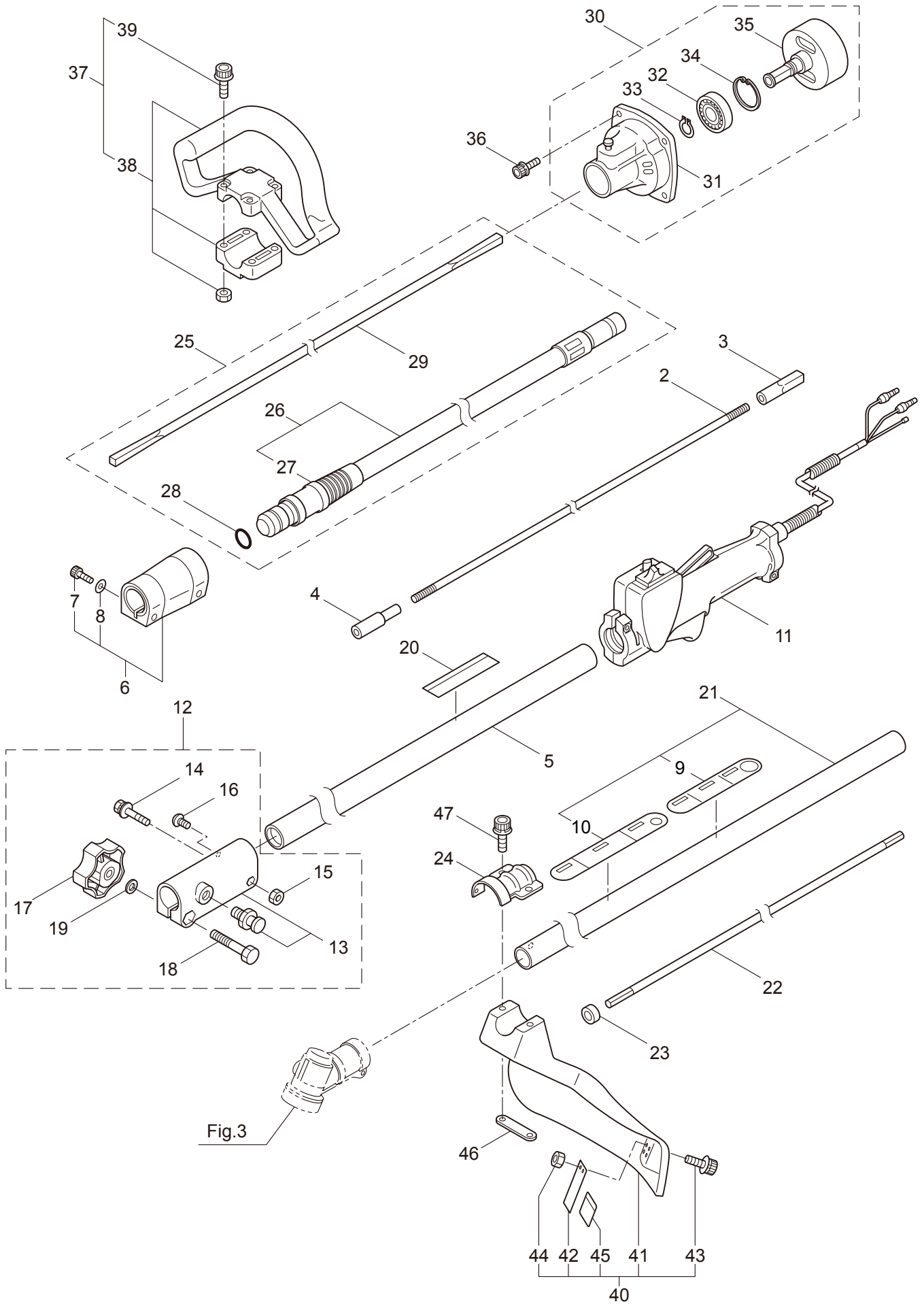
1. MAIN BODY	1 ~ 4
2. SUPPORT FRAME	5 ~ 6
3. GEARCASE	7 ~ 8
4. ENGINE	9 ~ 12
5. CARBURETOR, FUEL TANK	13 ~ 16
6. ACCESSORIES	17 ~ 18

2011. 08.



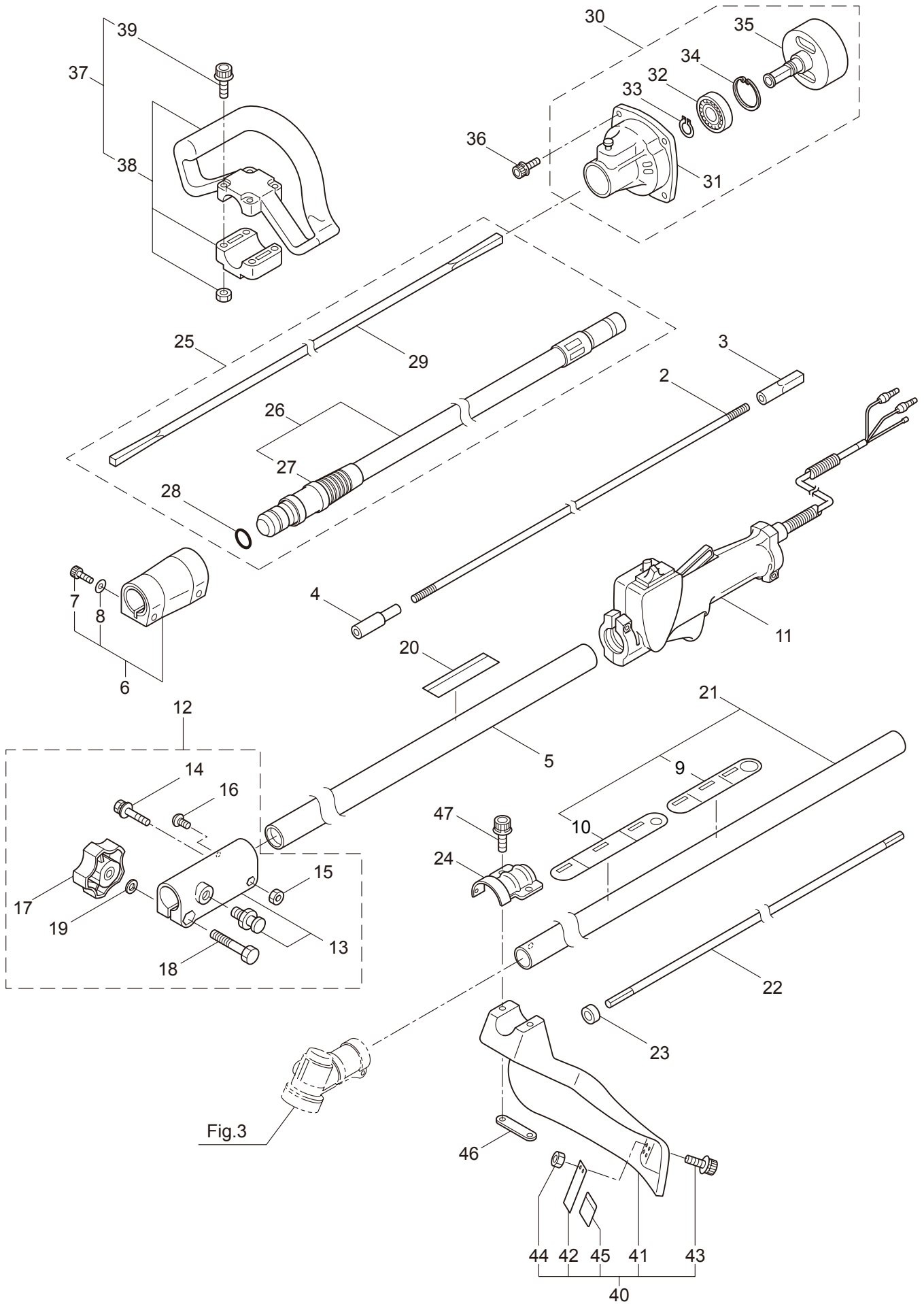
P/N 523225

1. M30BK-S
MAIN BODY



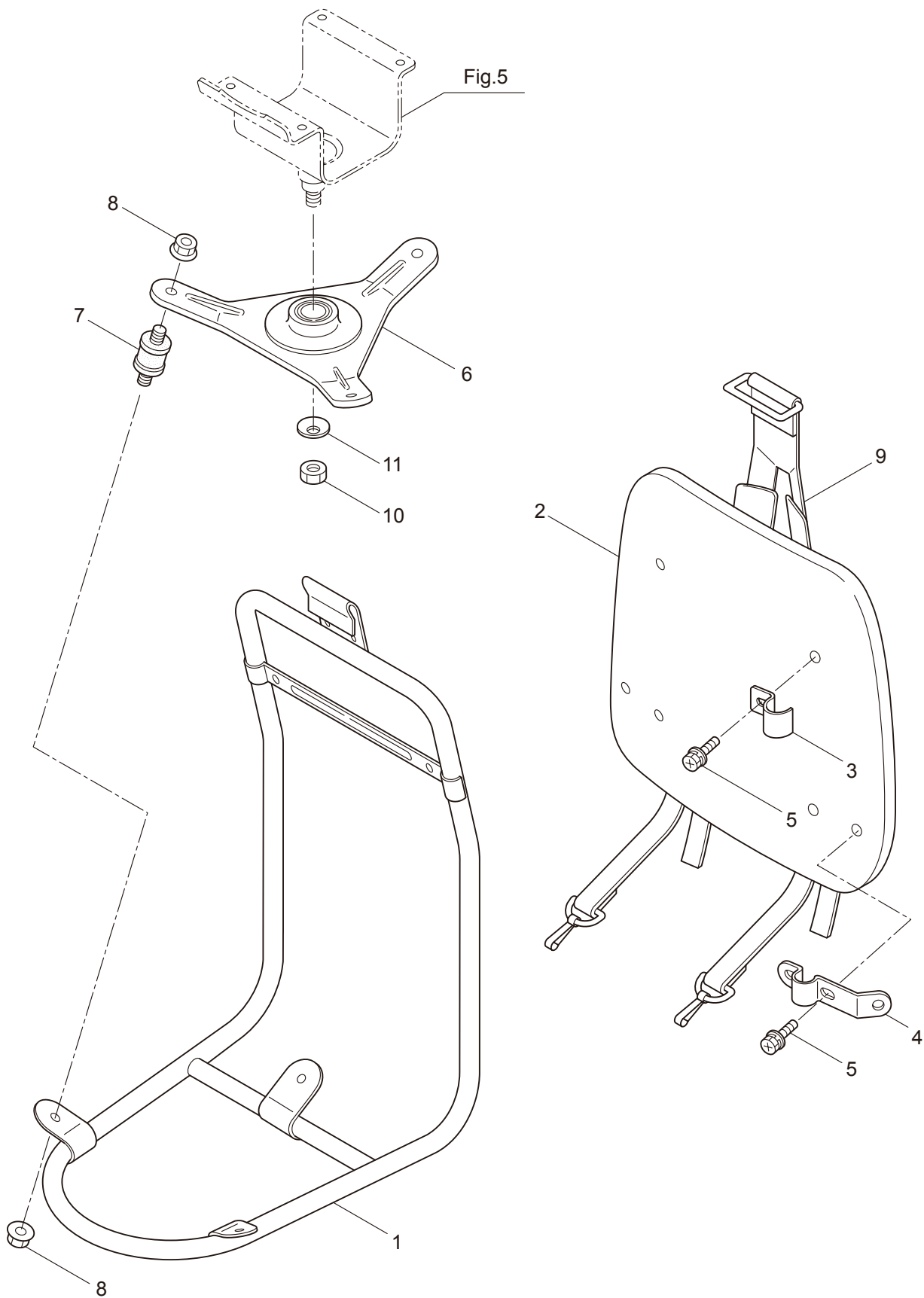
Ref. No.	Part No.	Part Name	Q'ty	Remarks
1-1	363830	M30BK-S	1	
1-2	221978	Driveshaft	1	
1-3	216924	Adapter	1	
1-4	215276	Lower Adapt	1	
1-5	221979	Driveshaft Tube	1	
1-6	214365	Joint Pipe Ass'y	1	Incl.7,8
1-7	087786	Cap Screw	2	M5x25
1-8	012487	Washer	1	M5
1-9	221501	Label	1	Warning
1-10	221502	Label	1	Caution
1-11	223647	Throttle Trigger	1	
1-12	219489	Shaft Coupler Ass'y	1	Incl.13-19
1-13	219490	Shaft Coupler Ass'y	1	
1-14	215351	Cap Screw	1	M5x25
1-15	089846	Nut	1	M5
1-16	219087	Cap Screw	1	M5x10
1-17	219088	Clamping Knob Ass'y	1	
1-18	089976	Bolt	1	M8x45
1-19	550131	Washer	1	M8
1-20	232483	Label	1	M30BK-S
1-21	220086	Driveshaft Tube Ass'y	1	Incl.9,10
1-22	216090	Driveshaft	1	749L
1-23	216079	Stopper	1	
1-24	225962	Bracket	1	
1-25	222530	Outer Ass'y	1	Incl.26-29
1-26	222531	Outer	1	Incl.27
1-27	215885	Cover	1	
1-28	011338	O-Ring	1	P18
1-29	211895	Inner Shaft	1	
1-30	220202	Clutch Case Ass'y	1	Incl.31-35
1-31	220203	Clutch Case	1	
1-32	217659	Bearing	1	#6201 2RK
1-33	055186	Snap Ring	1	#12
1-34	016732	Snap Ring	1	#32
1-35	220052	Clutch Drum	1	
1-36	261250	Cap Screw	4	M5x20
1-37	227816	Loop Handle Ass'y	1	Incl.38,39
1-38	222139	Loop Handle	1	
1-39	215608	Cap Screw	4	M5x30x16
1-40	226300	Safety Cover Ass'y	1	Incl.41-45
1-41	225961	Safety Cover	1	
1-42	231493	String Cutter	1	
1-43	227817	Bolt	2	M5x12
1-44	089846	Nut	2	M5
1-45	212972	String Cutter Cover	1	

1. M30BK-S
MAIN BODY



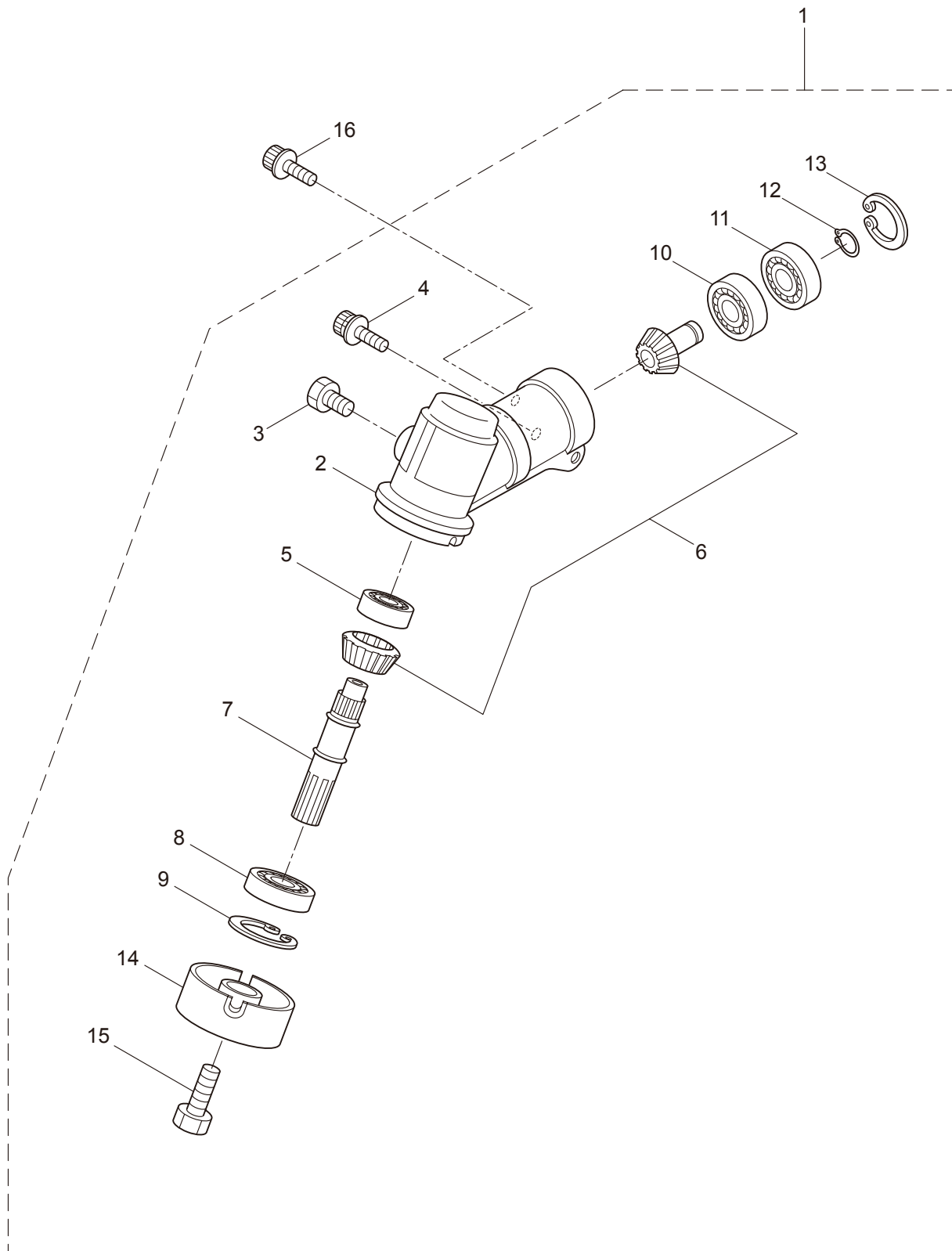
Ref. No.	Part No.	Part Name	Q'ty	Remarks
1-46 1-47	225963 261612	Threaded Bracket Cap Screw	1 2	M5x30

2. M30BK-S
SUPPORT FRAME



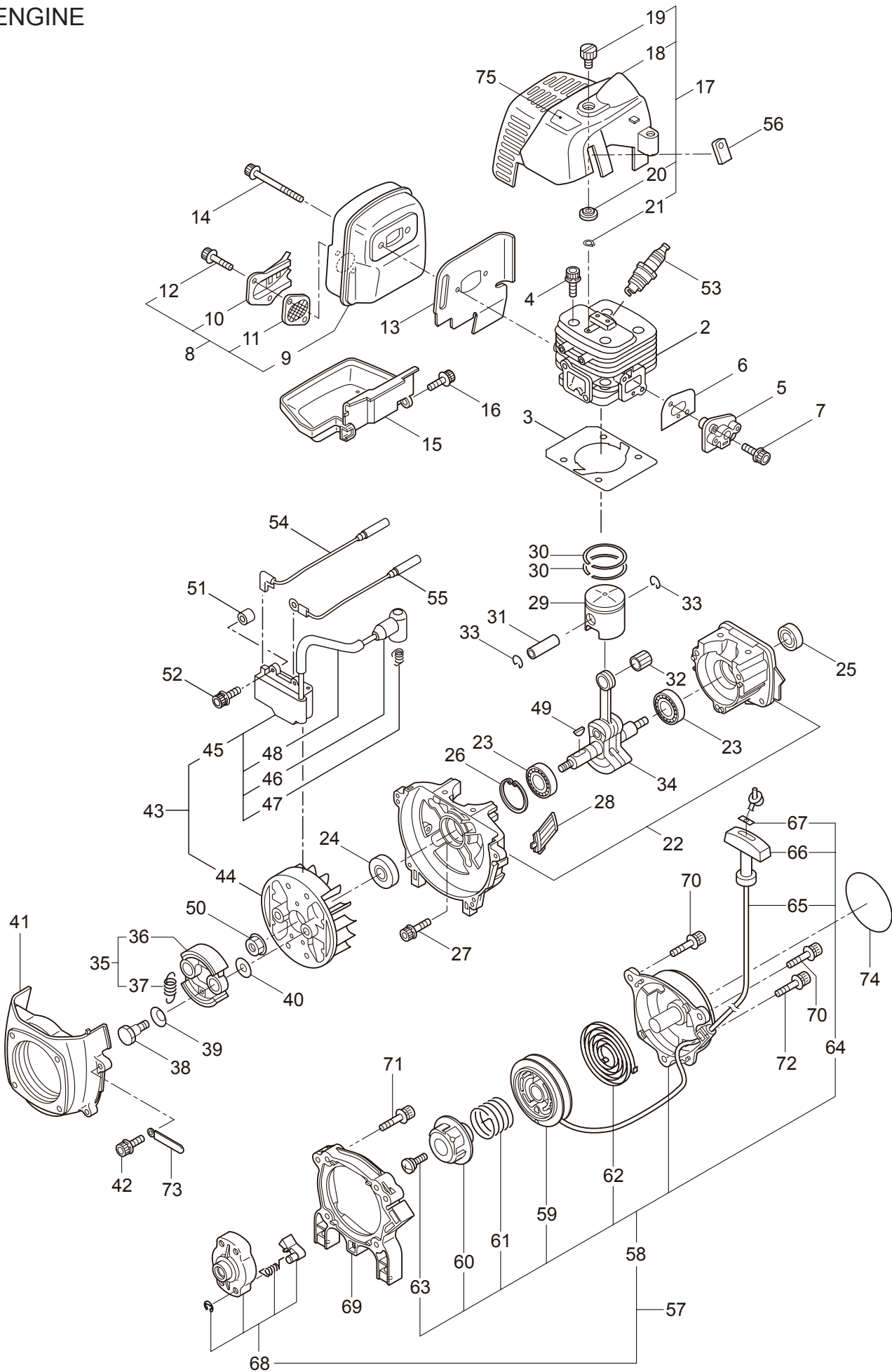
Ref. No.	Part No.	Part Name	Q'ty	Remarks
2-1	230669	Support Frame	1	
2-2	230670	Pad	1	
2-3	230671	Bracket	2	
2-4	230672	Bracket	2	
2-5	092548	Bolt	6	M5x15
2-6	229626	Turn Bracket	1	
2-7	229627	Buffer	3	
2-8	126756	Nut	6	M6
2-9	230673	Knapsack Belt	1	
2-10	127329	Nut	1	M10
2-11	229631	Washer	1	

3. M30BK-S
GEARCASE



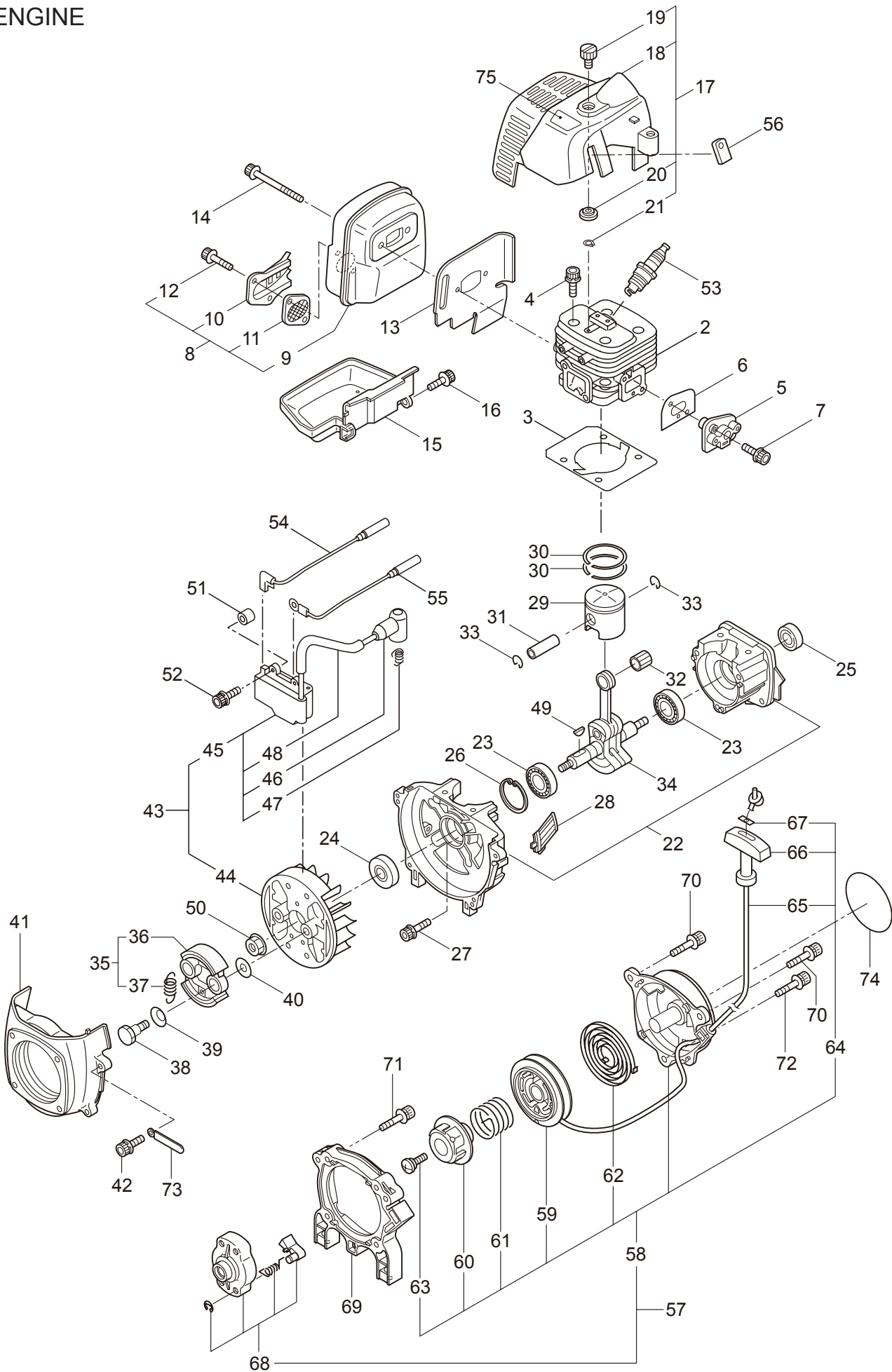
Ref. No.	Part No.	Part Name	Q'ty	Remarks
3-1	225959	Gearcase Ass'y	1	Incl.2-15
3-2	225960	Gearcase	1	
3-3	089101	Bolt	1	M8x10
3-4	261246	Cap Screw	1	M5x25
3-5	210554	Bearing	1	#608
3-6	227106	Gear Set	1	
3-7	215762	Blade Shaft	1	
3-8	212999	Bearing	1	#6001 2RK
3-9	055185	Snap Ring	1	#28
3-10	210560	Bearing	1	#609
3-11	140268	Bearing	1	#609Z
3-12	140269	Snap Ring	1	WR9
3-13	140270	Snap Ring	1	#24
3-14	222890	Boss Adapter	1	
3-15	221998	Bolt	1	M8x12,Counterclockwise
3-16	261233	Cap Screw	1	M5x12

4. M30BK-S
ENGINE



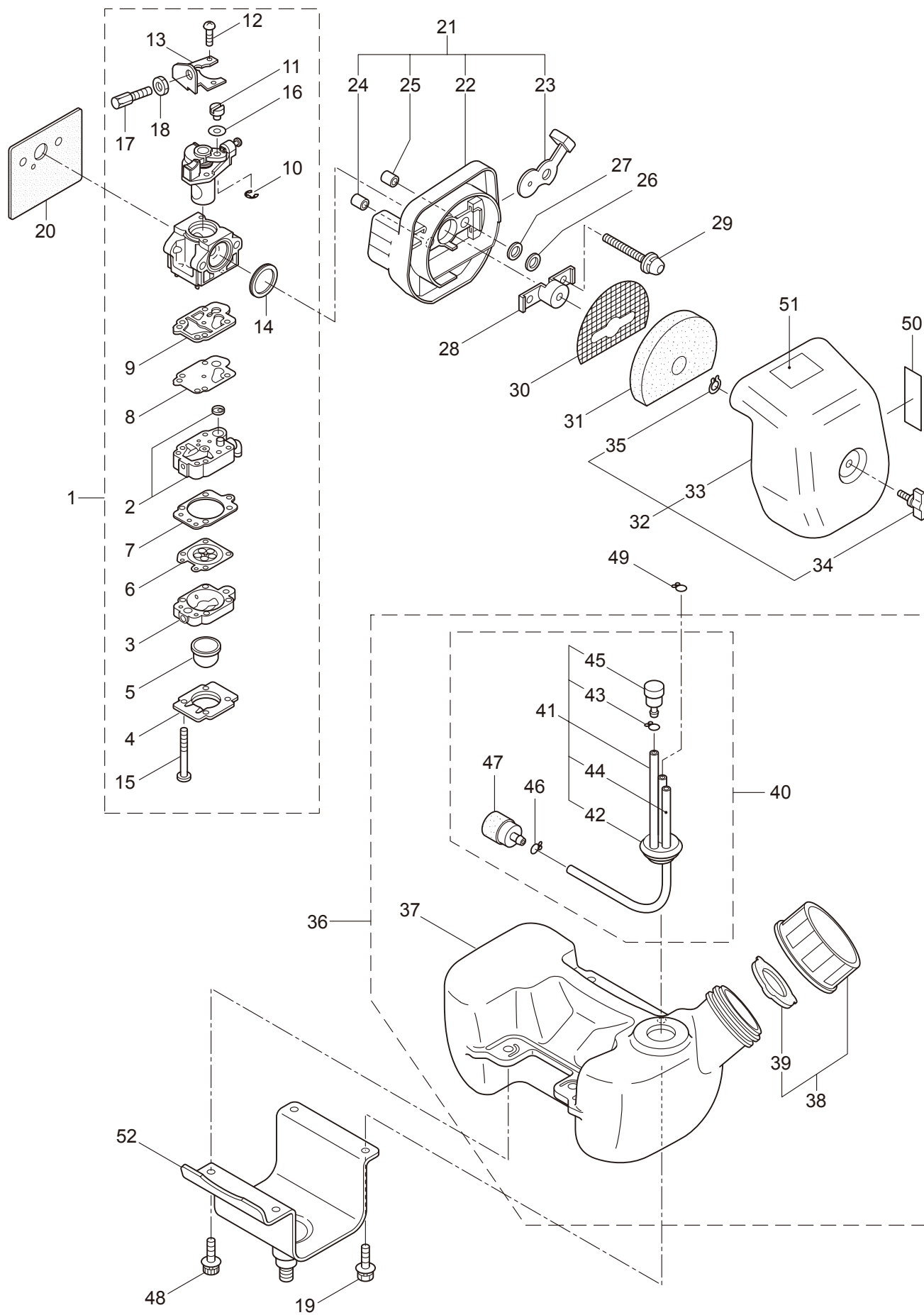
Ref. No.	Part No.	Part Name	Q'ty	Remarks
4-1	858768	Engine	1	CE300/48
4-2	286791	Cylinder	1	
4-3	286846	Gasket	1	
4-4	261250	Cap Screw	4	M5x20
4-5	269144	Insulator	1	New gasket required
4-6	267049	Gasket	1	
4-7	265924	Cap Screw	2	M5x25
4-8	283007	Muffler Ass'y	1	Incl.9-12
4-9	283003	Muffler Comp.	1	
4-10	268171	Muffler Tail	1	
4-11	267056	Spark Arrester	1	
4-12	265107	Cap Screw	2	M4x10
4-13	281440	Gasket	1	
4-14	266402	Cap Screw	2	M5x55
4-15	281435	Under Cover	1	
4-16	267191	Cap Screw	1	M5x16
4-17	281742	Top Cover Ass'y	1	Incl.18-21
4-18	281434	Top Cover	1	
4-19	261018	Knob	1	
4-20	261020	Spacer	1	
4-21	261734	Snap Ring	1	#5
4-22	286851	Crankcase	1	
4-23	280488	Bearing	2	PPL 6001
4-24	261492	Oil Seal	1	ISCD12287
4-25	261386	Oil Seal	1	ISCD12227
4-26	055185	Snap Ring	1	#28
4-27	261612	Cap Screw	3	M5x30
4-28	281442	Screen	1	
4-29	268782	Piston	1	
4-30	265067	Piston Ring	2	(2)Required
4-31	265068	Piston Pin	1	
4-32	265225	Bearing,Needle	1	
4-33	261393	Clip,Piston Pin	2	
4-34	265141	Crankshaft/Conn.Rod Ass'y	1	
4-35	267327	Clutch Ass'y	1	Incl.36,37
4-36	267342	Clutch Shoe	2	(2)required
4-37	267345	Spring,Clutch	1	
4-38	264505	Bolt	2	
4-39	261777	Wave Washer	2	
4-40	261189	Washer	2	6x16.5x1.2
4-41	281433	Fan Cover	1	
4-42	261250	Cap Screw	4	M5x20
4-43	286848	Magneto Ass'y	1	Incl.44-48
4-44	286849	Rotor/Fan	1	
4-45	281746	Ignition Coil Ass'y	1	Incl.46-48

4. M30BK-S
ENGINE



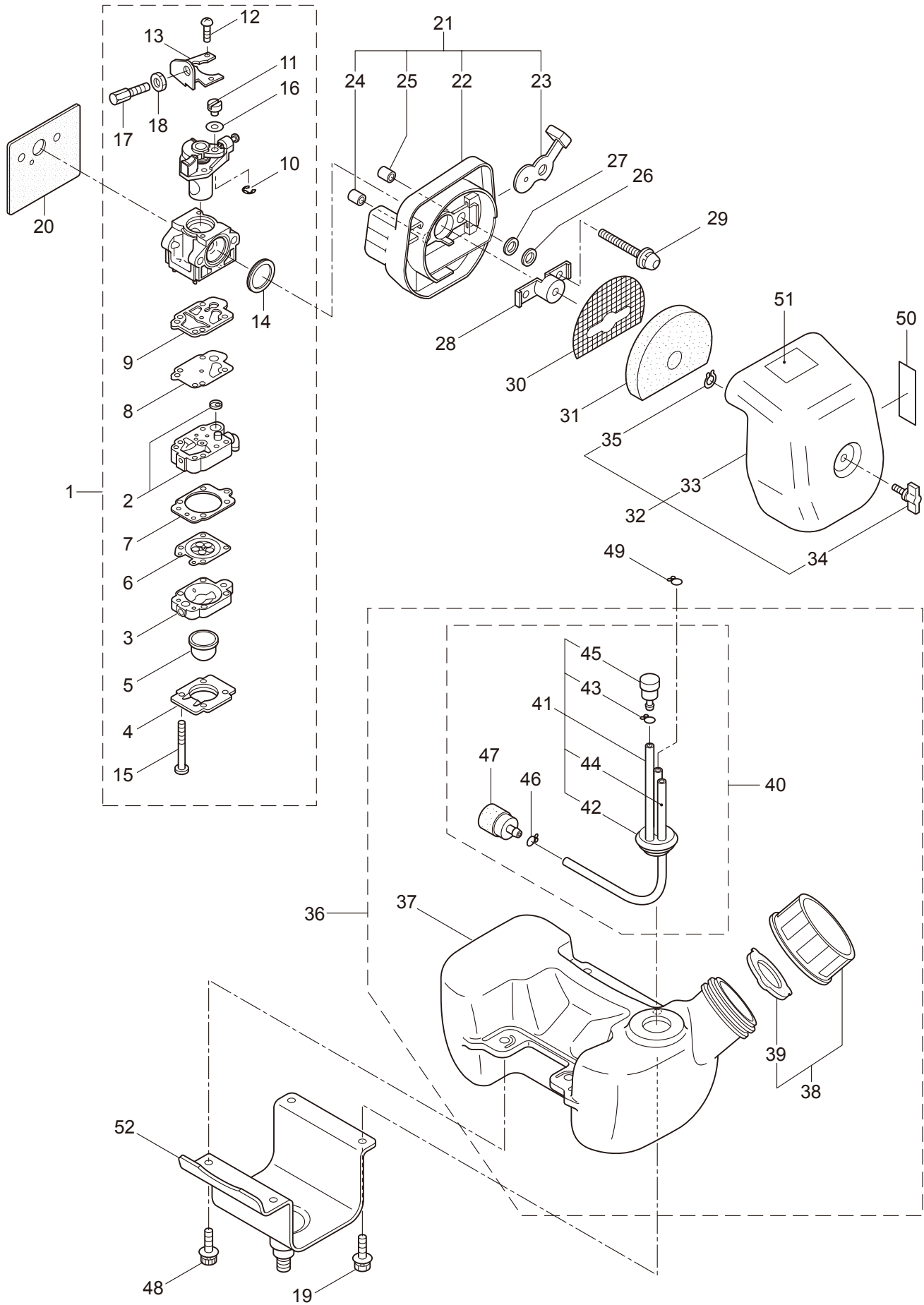
Ref. No.	Part No.	Part Name	Q'ty	Remarks
4-46	269714	Plug Boot	1	
4-47	269715	Connector	1	
4-48	281756	Insulator	1	
4-49	261076	Woodruff Key	1	3x10
4-50	261417	Nut,Rotor	1	M8
4-51	280381	Spacer	2	
4-52	261256	Cap Screw	2	M4x25
4-53	285982	Spark Plug	1	NGK BPM8Y
4-54	281864	Lead	1	
4-55	282087	Lead	1	
4-56	269189	Grommet	1	
4-57	283476	Recoil Starter Ass'y	1	Incl.58-68
4-58	283477	Recoil Ass'y	1	Incl.59-67
4-59	283504	Reel	1	
4-60	283505	Cam Plate	1	
4-61	283506	Spring	1	
4-62	280931	Spiral Spring	1	
4-63	267213	Screw	1	
4-64	283578	Stater Rope Ass'y	1	Incl.65-67
4-65	283579	Stater Rope	1	
4-66	261725	Starter Grip	1	
4-67	283511	Rope Stopper	1	
4-68	283575	Starter Pawl Ass'y	1	
4-69	286284	Adapter Ass'y	1	
4-70	283391	Cap Screw	2	M4x20
4-71	265726	Cap Screw	4	M4x16
4-72	282096	Cap Screw	1	M4x16WSW
4-73	264588	Clamp	1	
4-74	287841	Label	1	CER300BP/M30BKS
4-75	287842	Label	1	M30BKS

5. M30BK-S
CARBURETOR, FUEL TANK



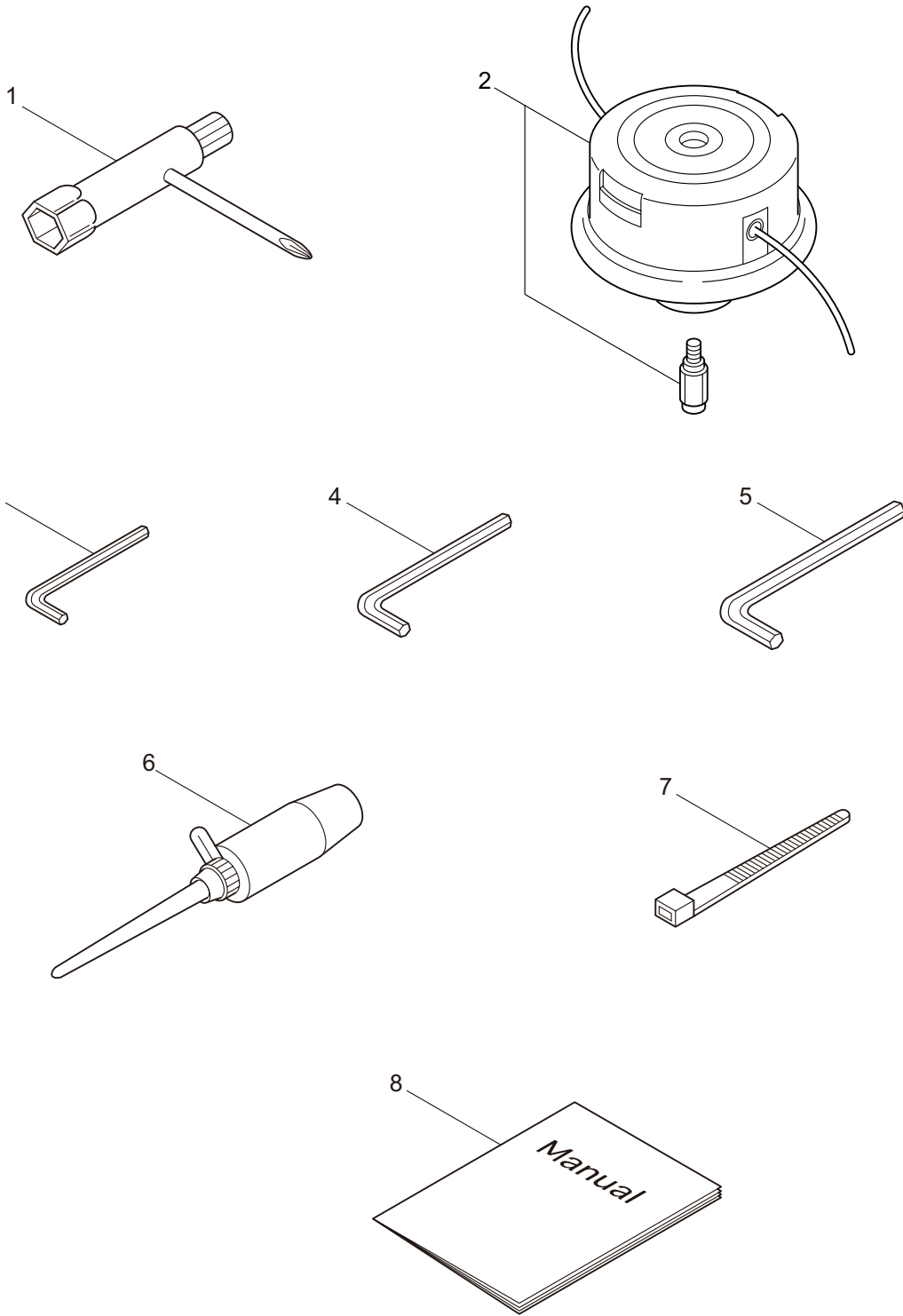
Ref. No.	Part No.	Part Name	Q'ty	Remarks
5-1	282542	Carburetor Ass'y	1	Incl.2-18 New gasket required
5-2	264155	Pump Body	1	
5-3	262991	Purge Body	1	
5-4	262992	Cover Plate	1	
5-5	261874	Primer Bulb	1	
5-6	283905	Diaphragm, Meterring	1	
5-7	262993	Gasket	1	
5-8	262994	Diaphragm,Fuel Pump	1	
5-9	282576	Gasket	1	
5-10	261876	E-Ring	1	
5-11	261658	Swivel	1	
5-12	261875	Screw	2	
5-13	264677	Bracket	1	
5-14	261657	Packing	1	
5-15	262996	Screw	4	
5-16	264678	Washer	1	
5-17	263994	Adapter	1	
5-18	261878	Nut	1	
5-19	267290	Cap Screw	2	M5x20
5-20	269762	Gasket	1	
5-21	268055	Air Filter Case Ass'y	1	Incl.22-25
5-22	268056	Air Filter Case	1	
5-23	268057	Valve	1	
5-24	268157	Sleeve	1	5.5x7.1x6L
5-25	268412	Sleeve	1	5.5x7.1x6.6L
5-26	263345	Packing	1	7.2x11xt1.3
5-27	263942	Washer	1	7.2x12xt0.15
5-28	263815	Stay	1	
5-29	264016	Cap Screw	2	M5x60
5-30	265026	Screen	1	
5-31	265027	Foam Element	1	
5-32	268058	Air Filter Cover Ass'y	1	Incl.33-35
5-33	268059	Air Filter Cover	1	
5-34	281438	Knob	1	
5-35	261734	Snap Ring	1	#5
5-36	286287	Fuel Tank Ass'y	1	Incl.37-47
5-37	286288	Fuel Tank	1	
5-38	281565	Fuel Tank Cap Ass'y	1	Incl.39
5-39	269377	Gasket	1	
5-40	282538	Fuel Pipe Pick-up Ass'y	1	Incl.41-47
5-41	282539	Fuel Pipe Ass'y	1	Incl.42-45
5-42	268065	Grommet	1	
5-43	261117	Clip	1	
5-44	261690	Fuel Pipe	1	160L
5-45	261590	Breather	1	

5. M30BK-S
CARBURETOR, FUEL TANK



Ref. No.	Part No.	Part Name	Q'ty	Remarks
5-46	261117	Clip	1	
5-47	264653	Filter Ass'y	1	
5-48	261250	Cap Screw	2	M5x20
5-49	261117	Clip	1	
5-50	261352	Label	1	Choke
5-51	285188	Label	1	
5-52	286098	Bracket	1	

6. M30BK-S
ACCESSORIES



Ref. No.	Part No.	Part Name	Q'ty	Remarks
6-1	210418	Box Spanner	1	13x19x(+)
6-2	840399	Semi-Auto Head(L)5	1	
6-3	219431	Wrench	1	3mm
6-4	219432	Wrench	1	4mm
6-5	219433	Wrench	1	5mm
6-6	211337	Grease Tube	1	
6-7	220548	Band	4	
6-8	232486	Instruction Manual	1	M30BK-S