

Is Your Product Registered?

Contact your Dealer to verify.

Warranties are based on Registrations and reduced to 1 year without  
Registration.

# PARTS LIST

BL32

## CONTENTS

|   |         |
|---|---------|
| 1. MAIN BODY .....                      | 1 ~ 2   |
| 2. ENGINE (Cylinder, Crankcase) .....   | 3 ~ 6   |
| 3. ENGINE (Carburetor, Fuel Tank) ..... | 7 ~ 10  |
| 4. ACCESSORIES .....                    | 11 ~ 12 |

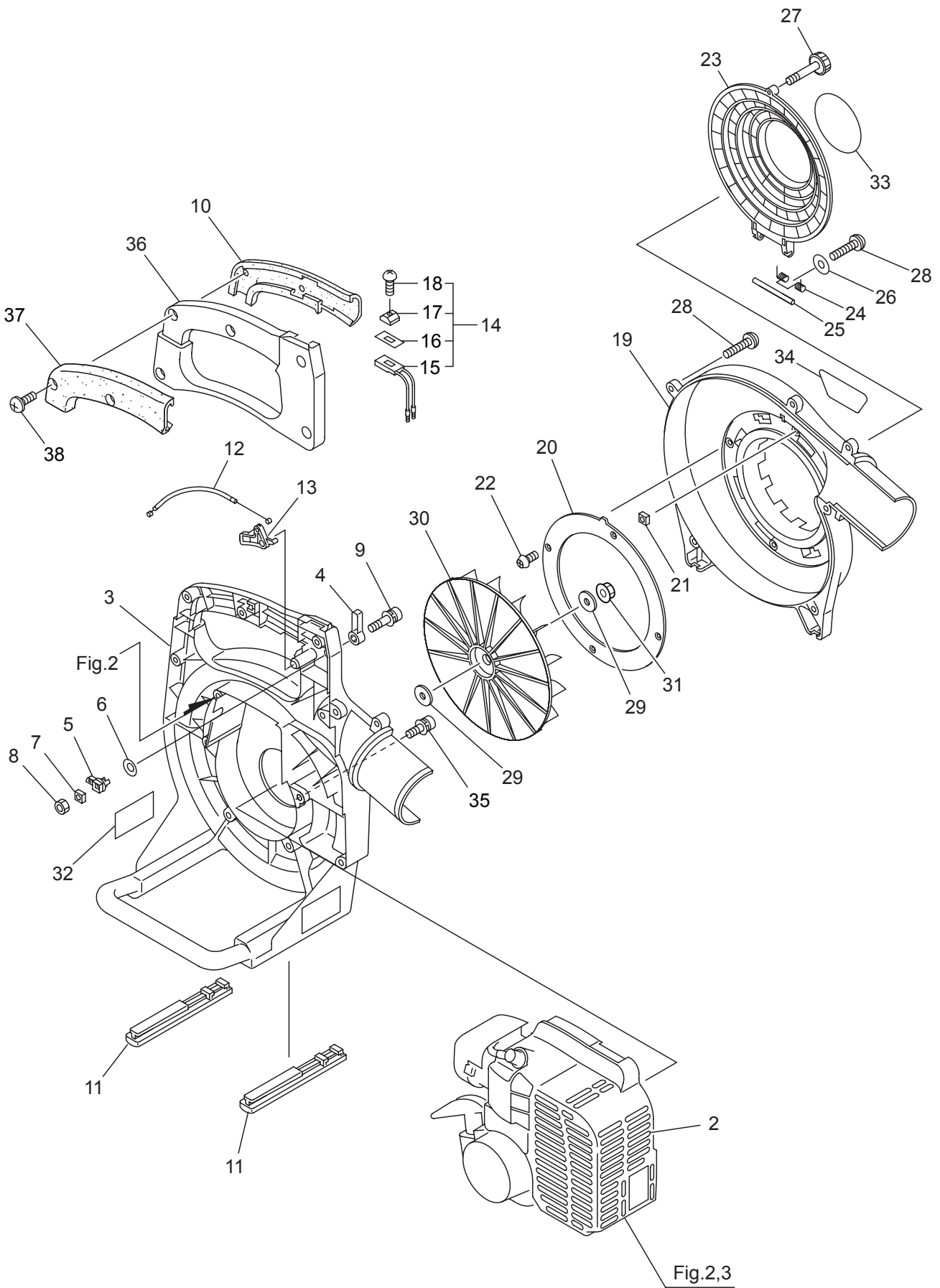
2012. 02.



**MARUYAMA**

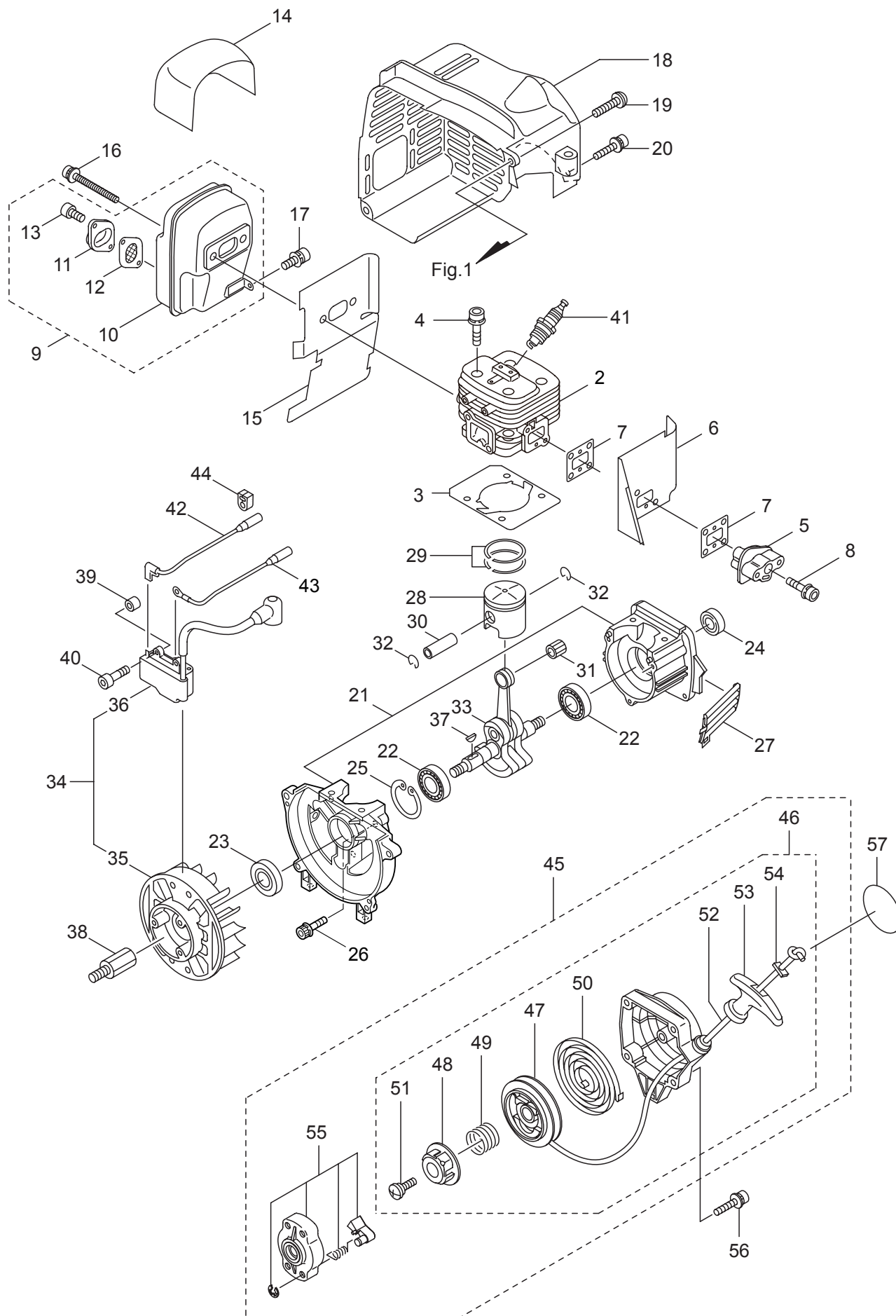
P/N 523279-1

1. BL32  
MAIN BODY



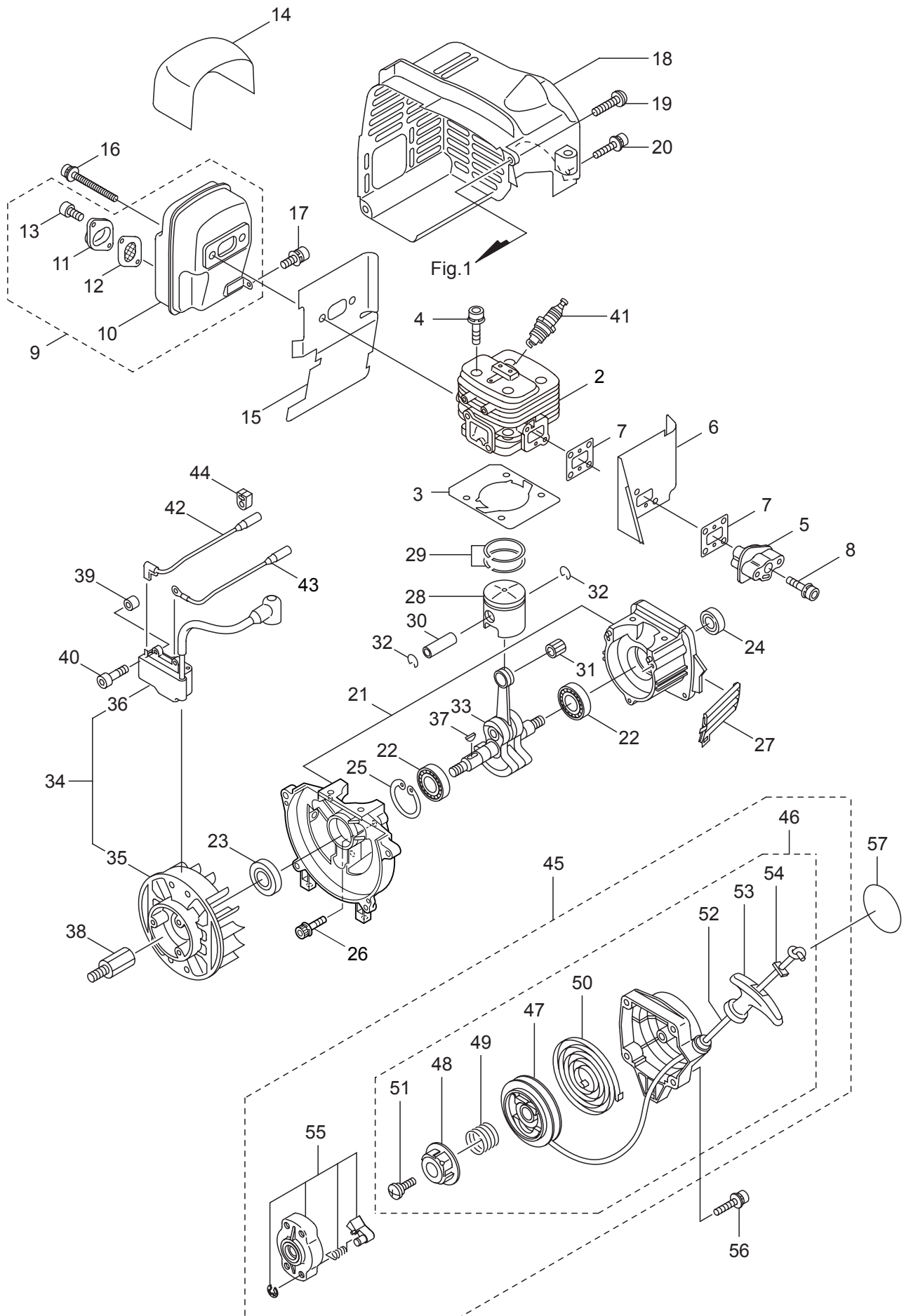
| Ref. No. | Part No. | Part Name     | Q'ty | Remarks     |
|----------|----------|---------------|------|-------------|
| 1-1      | 395824   | BL32          | 1    |             |
| 1-2      | 858917   | Engine        | 1    | CE300/64    |
| 1-3      | 281535   | Fan Case      | 1    |             |
| 1-4      | 281586   | Stopper (A)   | 1    |             |
| 1-5      | 281867   | Stopper (B)   | 1    |             |
| 1-6      | 282862   | Washer        | 1    |             |
| 1-7      | 269423   | Nut           | 1    |             |
| 1-8      | 126993   | Nut           | 1    | M5          |
| 1-9      | 261246   | Cap Screw     | 1    | M5x25       |
| 1-10     | 281880   | Grip (B)      | 1    |             |
| 1-11     | 281865   | Stand         | 2    |             |
| 1-12     | 281862   | Cable Comp.   | 1    |             |
| 1-13     | 281585   | Lever         | 1    |             |
| 1-14     | 282170   | Switch Ass'y  | 1    | Incl.15-18  |
| 1-15     | 281863   | Switch        | 1    |             |
| 1-16     | 282028   | Label         | 1    |             |
| 1-17     | 282171   | Knob          | 1    |             |
| 1-18     | 282172   | Screw         | 1    |             |
| 1-19     | 281536   | Fan Cover     | 1    |             |
| 1-20     | 281869   | Plate         | 1    |             |
| 1-21     | 280008   | Nut           | 1    | M4          |
| 1-22     | 282060   | Tapping Screw | 4    | 4x10        |
| 1-23     | 281563   | Cover         | 1    |             |
| 1-24     | 281870   | Spring        | 1    |             |
| 1-25     | 281878   | Rod           | 1    |             |
| 1-26     | 263743   | Washer        | 1    | 5.7x15.8xt2 |
| 1-27     | 282149   | Knob          | 1    |             |
| 1-28     | 281989   | Tapping Screw | 7    | 5x20        |
| 1-29     | 281873   | Washer        | 2    | 8.5x26xt2.9 |
| 1-30     | 281874   | Fan           | 1    |             |
| 1-31     | 283041   | Nut           | 1    | M8          |
| 1-32     | 282549   | Label         | 1    |             |
| 1-33     | 288304   | Label         | 1    | BL32        |
| 1-34     | 288307   | Label         | 1    | BL32        |
| 1-35     | 261250   | Cap Screw     | 4    | M5x20       |
| 1-36     | 281538   | Handle        | 1    |             |
| 1-37     | 281879   | Grip (A)      | 1    |             |
| 1-38     | 281989   | Tapping Screw | 5    | 5x20        |

2. BL32  
ENGINE (Cylinder, Crankcase)



| Ref. No. | Part No. | Part Name                 | Q'ty | Remarks     |
|----------|----------|---------------------------|------|-------------|
| 2-1      | 858917   | Engine                    | 1    | CE300/64    |
| 2-2      | 286791   | Cylinder                  | 1    |             |
| 2-3      | 286846   | Gasket                    | 1    |             |
| 2-4      | 261250   | Cap Screw                 | 4    | M5x20       |
| 2-5      | 282579   | Insulator                 | 1    |             |
| 2-6      | 281590   | Air Duct                  | 1    |             |
| 2-7      | 261171   | Gasket                    | 2    |             |
| 2-8      | 265924   | Cap Screw                 | 2    | M5x25       |
| 2-9      | 282585   | Muffler Ass'y             | 1    | Incl.10-13  |
| 2-10     | 282586   | Muffler Comp.             | 1    |             |
| 2-11     | 281860   | Tail                      | 1    |             |
| 2-12     | 267056   | Spark Arrester            | 1    |             |
| 2-13     | 265107   | Cap Screw                 | 2    | M4x10       |
| 2-14     | 268461   | Holder                    | 1    |             |
| 2-15     | 281589   | Gasket                    | 1    |             |
| 2-16     | 266713   | Cap Screw                 | 2    | M5x60       |
| 2-17     | 261607   | Cap Screw                 | 1    | M5x16       |
| 2-18     | 281537   | Top Cover                 | 1    |             |
| 2-19     | 281989   | Tapping Screw             | 2    | 5x20        |
| 2-20     | 265724   | Cap Screw                 | 2    | M4x25       |
| 2-21     | 286851   | Crankcase                 | 1    |             |
| 2-22     | 280488   | Bearing                   | 2    | PPL 6001    |
| 2-23     | 261492   | Oil Seal                  | 1    | ISCD12287   |
| 2-24     | 261386   | Oil Seal                  | 1    | ISCD12227   |
| 2-25     | 055185   | Snap Ring                 | 1    | #28         |
| 2-26     | 261612   | Cap Screw                 | 3    | M5x30       |
| 2-27     | 281442   | Screen                    | 1    |             |
| 2-28     | 268782   | Piston                    | 1    |             |
| 2-29     | 265067   | Piston Ring               | 2    | (2)Required |
| 2-30     | 265068   | Piston Pin                | 1    |             |
| 2-31     | 265225   | Bearing,Needle            | 1    |             |
| 2-32     | 261393   | Clip,Piston Pin           | 2    |             |
| 2-33     | 265141   | Crankshaft/Conn.Rod Ass'y | 1    |             |
| 2-34     | 287004   | Magneto Ass'y             | 1    | Incl.35,36  |
| 2-35     | 286889   | Rotor/Fan                 | 1    |             |
| 2-36     | 282010   | Ignition Coil Ass'y       | 1    |             |
| 2-37     | 261076   | Woodruff Key              | 1    | 3x10        |
| 2-38     | 281872   | Shaft                     | 1    |             |
| 2-39     | 280381   | Spacer                    | 2    |             |
| 2-40     | 261256   | Cap Screw                 | 2    | M4x25       |
| 2-41     | 285982   | Spark Plug                | 1    | NGK BPM8Y   |
| 2-42     | 281864   | Lead                      | 1    |             |
| 2-43     | 282087   | Lead                      | 1    |             |
| 2-44     | 281172   | Grommet                   | 1    |             |
| 2-45     | 283039   | Recoil Starter Ass'y      | 1    | Incl.46-55  |

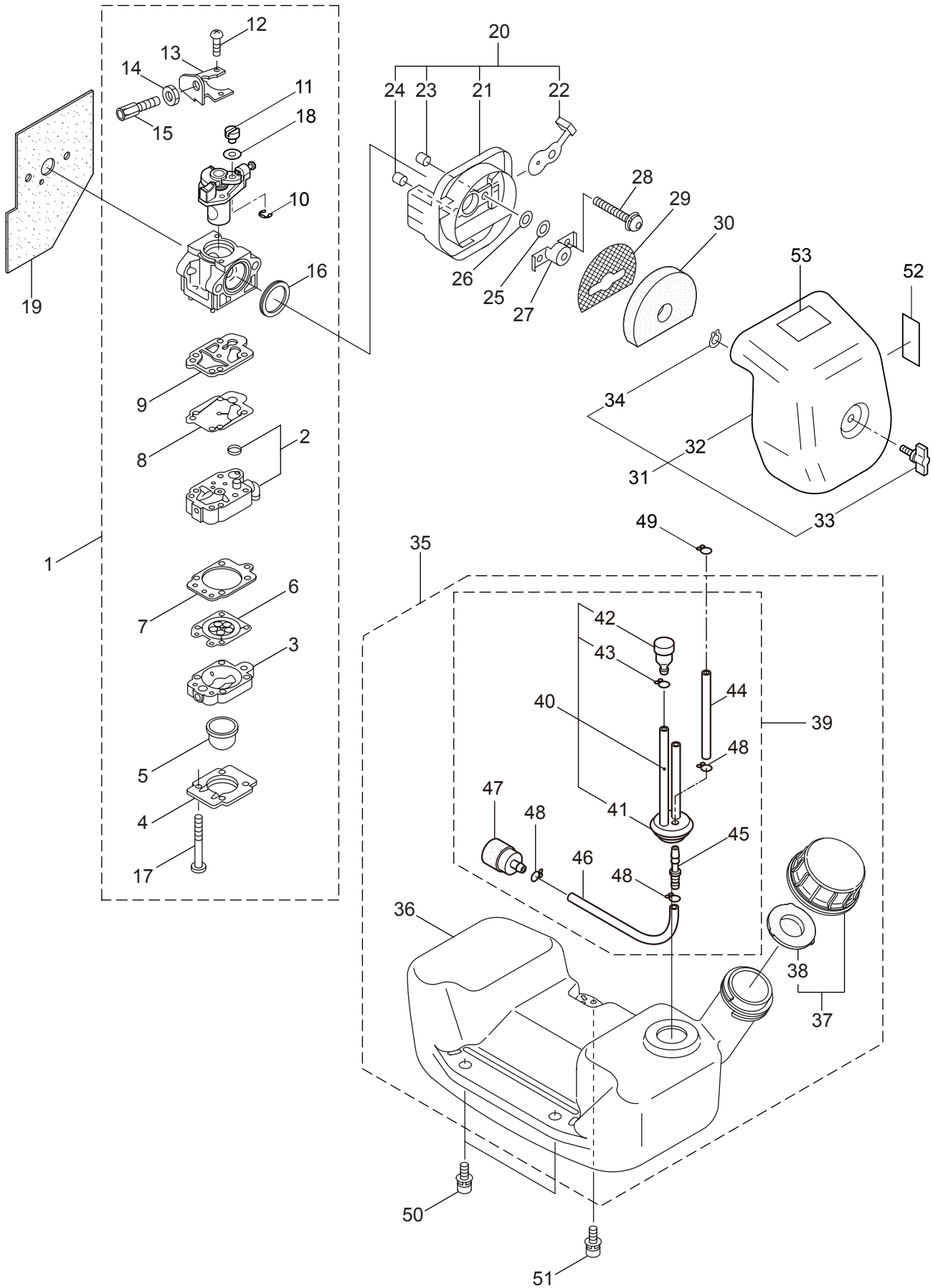
2. BL32  
ENGINE (Cylinder, Crankcase)



| Ref. No. | Part No. | Part Name          | Q'ty | Remarks    |
|----------|----------|--------------------|------|------------|
| 2-46     | 283502   | Starter Ass'y      | 1    | Incl.47-54 |
| 2-47     | 283504   | Reel               | 1    |            |
| 2-48     | 283505   | Cam Plate          | 1    |            |
| 2-49     | 283506   | Spring             | 1    |            |
| 2-50     | 283507   | Spiral Spring      | 1    |            |
| 2-51     | 267213   | Screw              | 1    |            |
| 2-52     | 283509   | Starter Rope       | 1    |            |
| 2-53     | 283510   | Starter Grip       | 1    |            |
| 2-54     | 283511   | Rope Stopper       | 1    |            |
| 2-55     | 280934   | Starter Pawl Ass'y | 1    |            |
| 2-56     | 265724   | Cap Screw          | 2    | M4x25      |
| 2-57     | 288303   | Label              | 1    | BL32       |

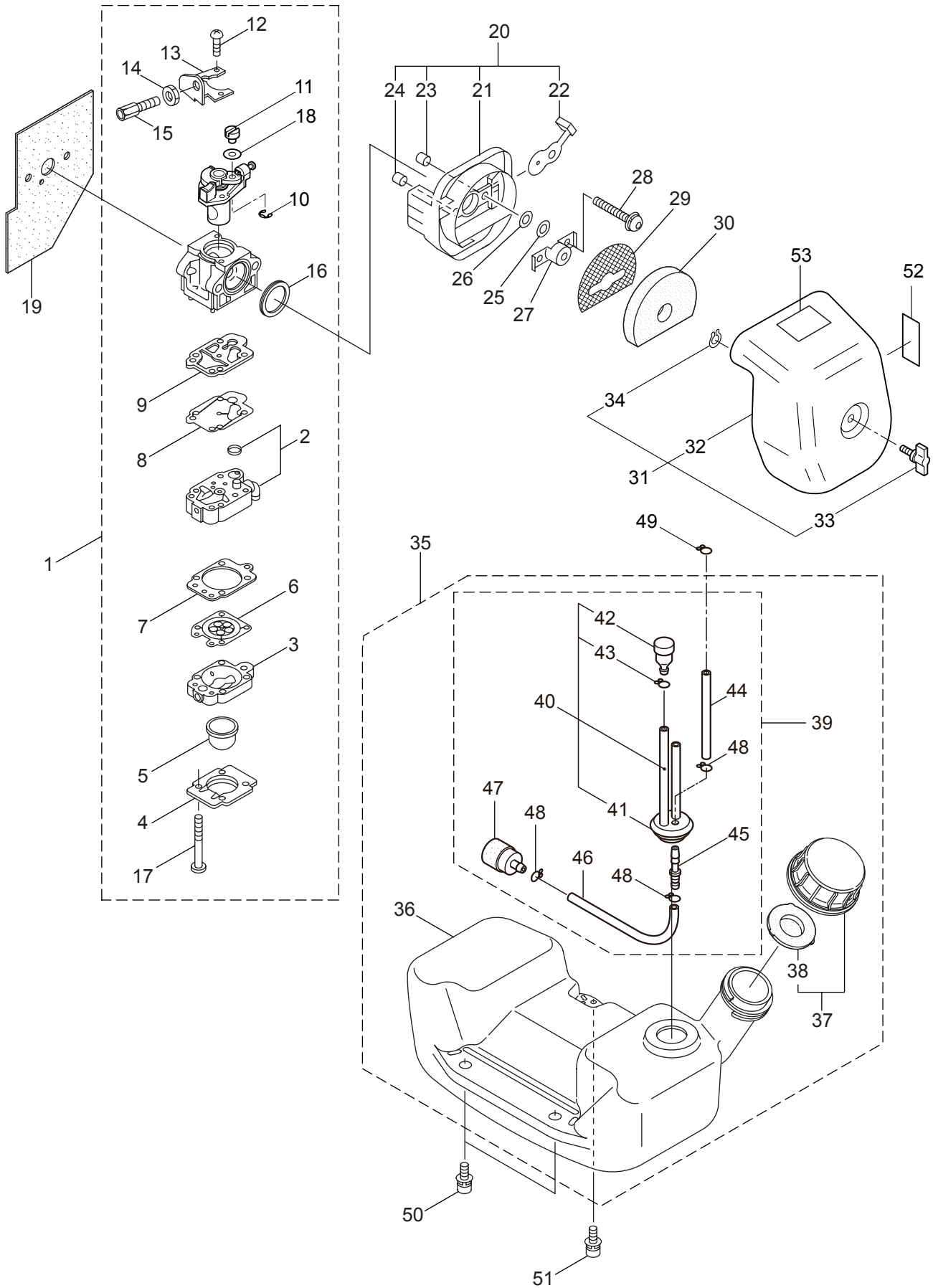


3. BL32  
ENGINE (Carburetor, Fuel Tank)



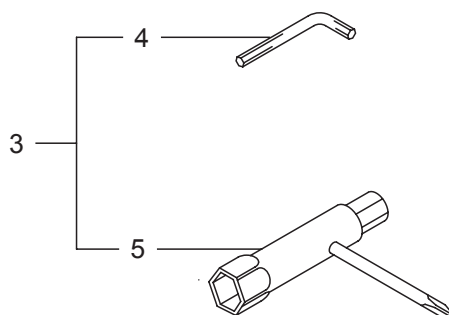
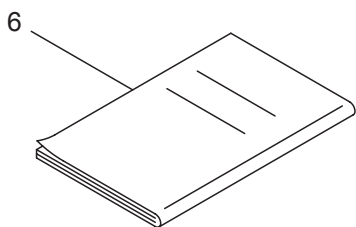
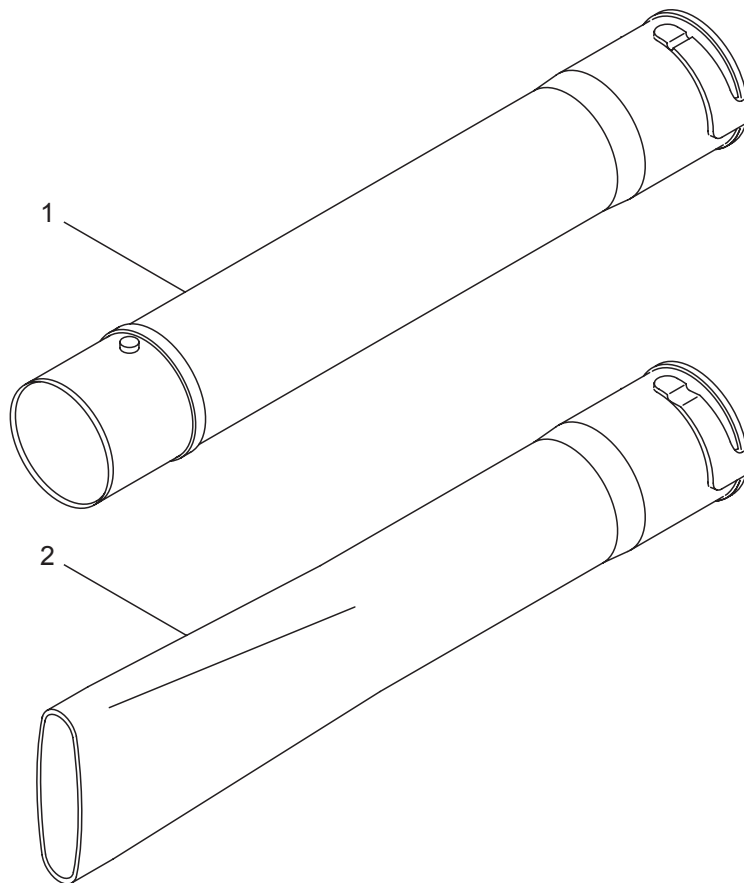
| Ref. No. | Part No. | Part Name               | Q'ty | Remarks                       |
|----------|----------|-------------------------|------|-------------------------------|
| 3-1      | 282528   | Carburetor Ass'y        | 1    | Incl.2-18 New gasket required |
| 3-2      | 264155   | Pump Body               | 1    |                               |
| 3-3      | 262991   | Purge Body              | 1    |                               |
| 3-4      | 262992   | Cover Plate             | 1    |                               |
| 3-5      | 261874   | Primer Bulb             | 1    |                               |
| 3-6      | 283905   | Diaphragm, Meterring    | 1    |                               |
| 3-7      | 262993   | Gasket                  | 1    |                               |
| 3-8      | 262994   | Diaphragm,Fuel Pump     | 1    |                               |
| 3-9      | 282576   | Gasket                  | 1    |                               |
| 3-10     | 261876   | E-Ring                  | 1    |                               |
| 3-11     | 261658   | Swivel                  | 1    |                               |
| 3-12     | 261875   | Screw                   | 2    |                               |
| 3-13     | 264677   | Bracket                 | 1    |                               |
| 3-14     | 261878   | Nut                     | 1    |                               |
| 3-15     | 261877   | Adapter                 | 1    |                               |
| 3-16     | 261657   | Packing                 | 1    |                               |
| 3-17     | 262996   | Screw                   | 4    |                               |
| 3-18     | 264678   | Washer                  | 1    |                               |
| 3-19     | 282578   | Gasket                  | 1    |                               |
| 3-20     | 268055   | Air Filter Case Ass'y   | 1    | Incl.21-24                    |
| 3-21     | 268056   | Air Filter Case         | 1    |                               |
| 3-22     | 268057   | Valve                   | 1    |                               |
| 3-23     | 268412   | Sleeve                  | 1    | 5.5x7.1x6.6L                  |
| 3-24     | 268157   | Sleeve                  | 1    | 5.5x7.1x6L                    |
| 3-25     | 263345   | Packing                 | 1    | 7.2x11xt1.3                   |
| 3-26     | 263942   | Washer                  | 1    | 7.2x12xt0.15                  |
| 3-27     | 263815   | Stay                    | 1    |                               |
| 3-28     | 264016   | Cap Screw               | 2    | M5x60                         |
| 3-29     | 265026   | Screen                  | 1    |                               |
| 3-30     | 281861   | Element                 | 1    |                               |
| 3-31     | 268058   | Air Filter Cover Ass'y  | 1    | Incl.32-34                    |
| 3-32     | 268059   | Air Filter Cover        | 1    |                               |
| 3-33     | 281438   | Knob                    | 1    |                               |
| 3-34     | 261734   | Snap Ring               | 1    | #5                            |
| 3-35     | 289038   | Fuel Tank Ass'y         | 1    | Incl.36-48                    |
| 3-36     | 283891   | Fuel Tank               | 1    |                               |
| 3-37     | 289043   | Fuel Tank Cap Ass'y     | 1    | Incl.38                       |
| 3-38     | 287058   | Gasket                  | 1    |                               |
| 3-39     | 289035   | Fuel Pipe Pick-up Ass'y | 1    | Incl.40-48                    |
| 3-40     | 289036   | Fuel Pipe Ass'y         | 1    | Incl.41-43                    |
| 3-41     | 268065   | Grommet                 | 1    |                               |
| 3-42     | 261590   | Breather                | 1    |                               |
| 3-43     | 261117   | Clip                    | 1    |                               |
| 3-44     | 289028   | Pipe A                  | 1    | 3x5x53L                       |
| 3-45     | 288921   | Joint                   | 1    |                               |

3. BL32  
ENGINE (Carburetor, Fuel Tank)



| Ref. No. | Part No. | Part Name    | Q'ty | Remarks  |
|----------|----------|--------------|------|----------|
| 3-46     | 289033   | Pipe         | 1    | 3x5x100L |
| 3-47     | 264653   | Filter Ass'y | 1    |          |
| 3-48     | 261117   | Clip         | 3    |          |
| 3-49     | 261117   | Clip         | 1    |          |
| 3-50     | 268940   | Screw        | 2    | M5x18    |
| 3-51     | 281715   | Cap Screw    | 1    | M5x20    |
| 3-52     | 261352   | Label        | 1    | Choke    |
| 3-53     | 285188   | Label        | 1    |          |

4. BL32  
ACCESSORIES



| Ref. No. | Part No. | Part Name          | Q'ty | Remarks   |
|----------|----------|--------------------|------|-----------|
| 4-1      | 281875   | Pipe (A)           | 1    |           |
| 4-2      | 281876   | Pipe (B)           | 1    |           |
| 4-3      | 282738   | Tool Set           | 1    | Incl.4,5  |
| 4-4      | 219431   | Wrench             | 1    | 3mm       |
| 4-5      | 210418   | Box Spanner        | 1    | 13x19x(+) |
| 4-6      | 288298   | Instruction Manual | 1    | BL32      |