

Is Your Product Registered?

Contact your Dealer to verify.

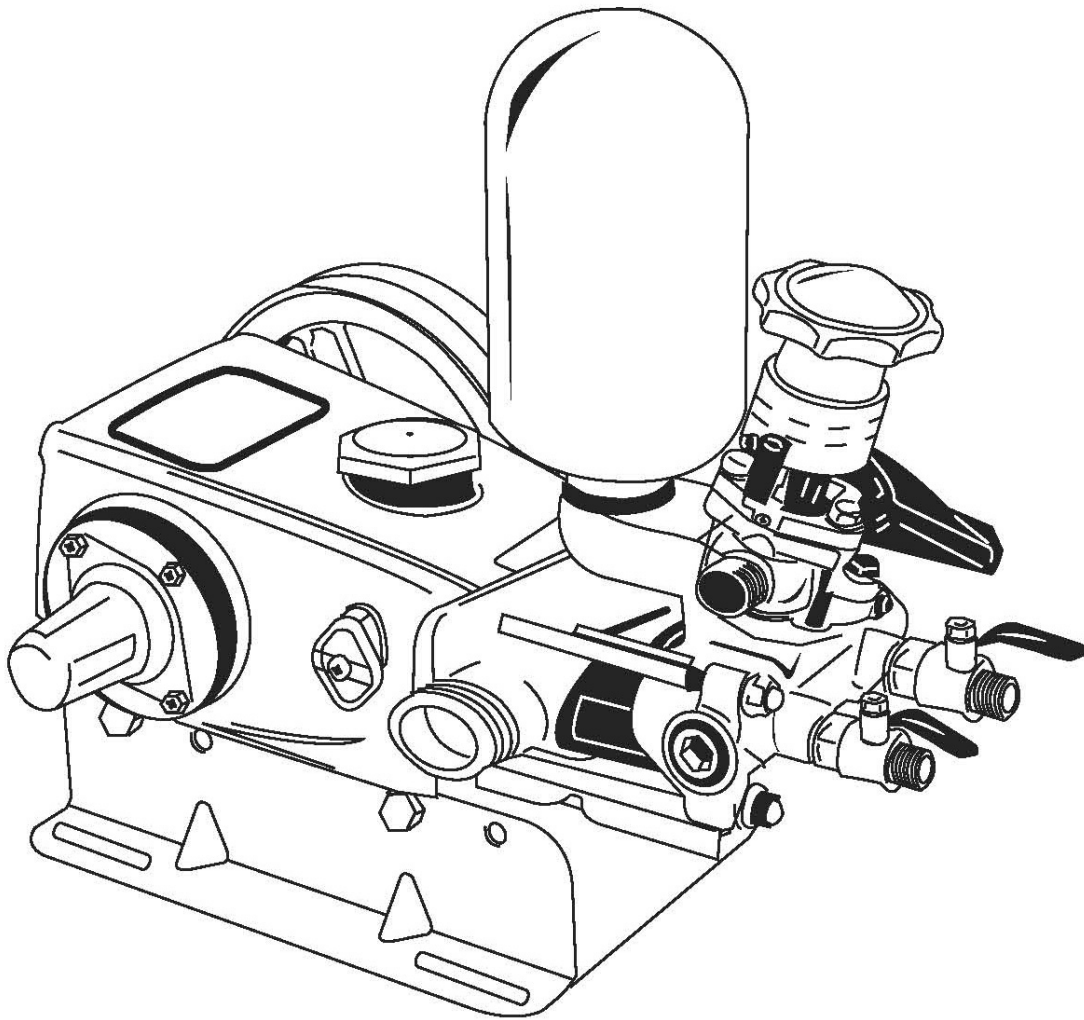
Warranties are based on Registrations and reduced to 1 year without
Registration.

MARUYAMA

ILLUSTRATED PARTS LIST

MS753-A

PUMP

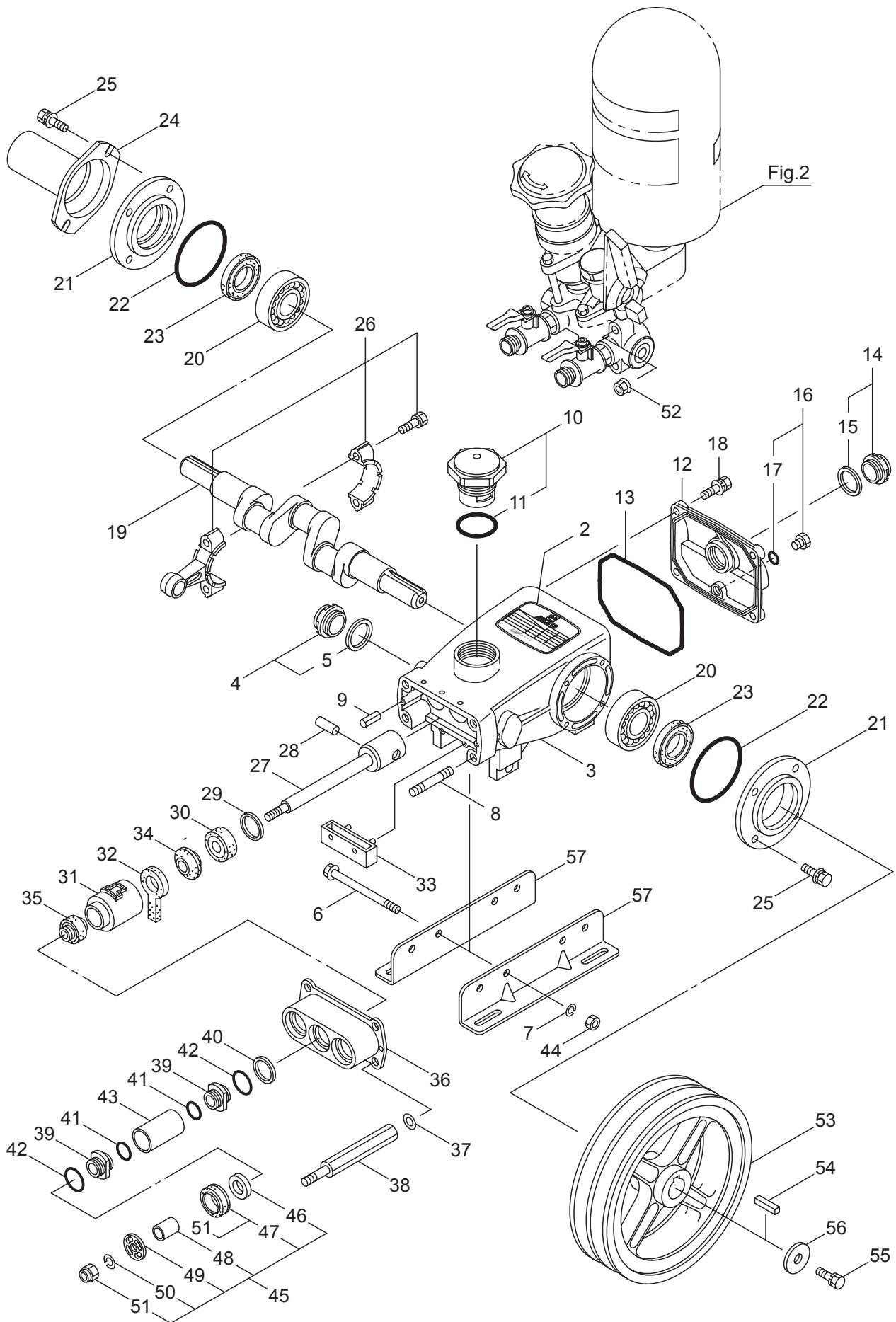


MS753-A
PUMP
PART #522810 06/2009



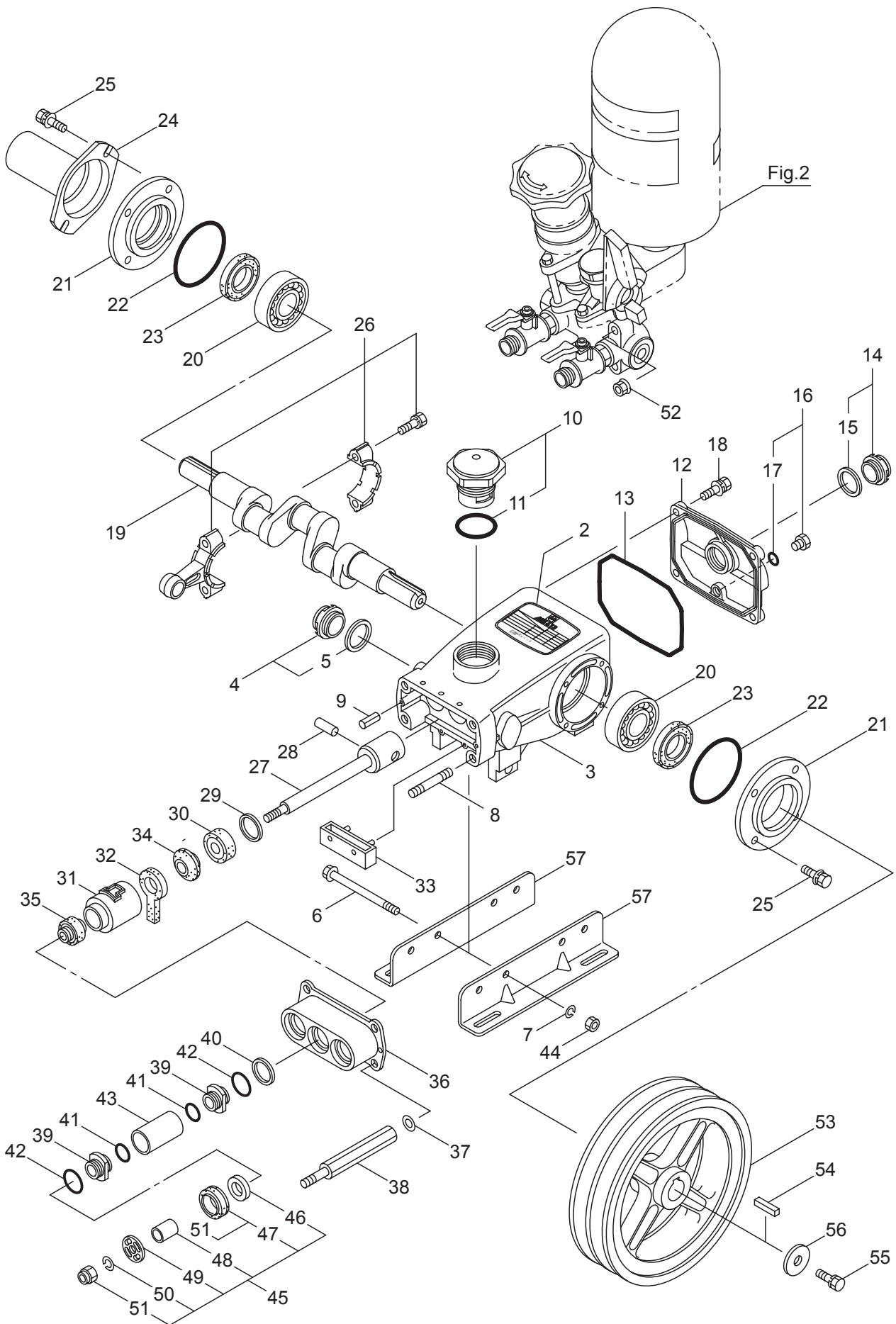
Maruyama. *E x t r a o r d i n a r y .*

1. MS753-A
CRANKCASE, SUCTION VALVE



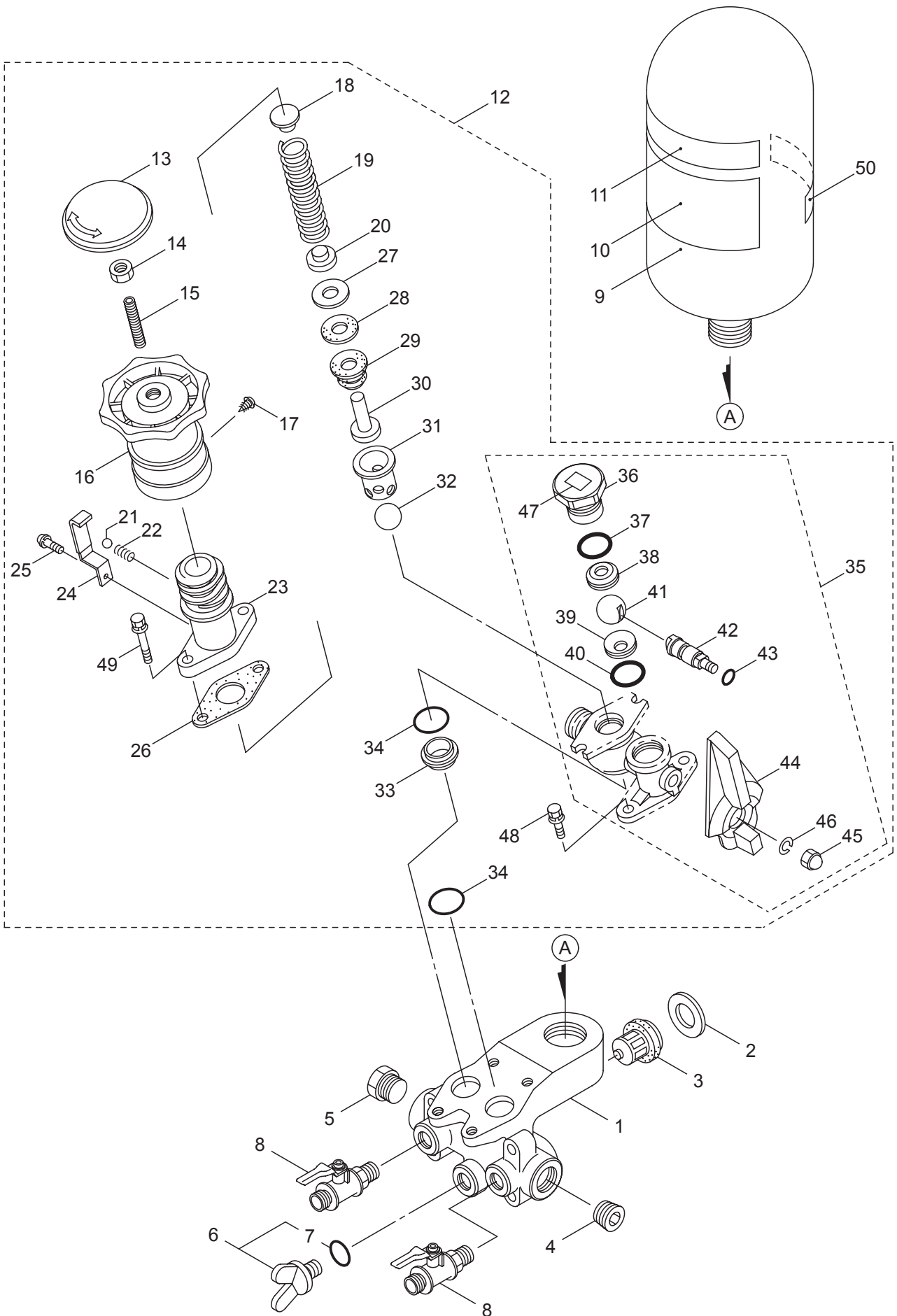
Ref. No.	Part No.	Part Name	Q'ty	Remarks
1-2	128689	Label	1	MS753-A
1-3	126836	Crankcase	1	
1-4	092241	Oil Gauge Ass'y	1	Incl.5
1-5	044428	Packing	1	25x34xt2.5
1-6	126533	Bolt	2	M10x140x32
1-7	126231	Spring Washer	2	M10
1-8	126545	Stud Bolt	4	M10x25x20x20
1-9	027488	Guide Pin	2	
1-10	091264	Oil Filler Cap	1	Incl.11
1-11	014177	O-Ring	1	P35
1-12	121363	Rear Cover	1	
1-13	044834	O-Ring,Rear Cover	1	148x126x2.4
1-14	092241	Oil Gauge Ass'y	1	Incl.15
1-15	044428	Packing	1	25x34xt2.5
1-16	091376	Drain Plug	1	Incl.17, G1/4
1-17	023170	O-Ring	1	P12.5
1-18	126541	Bolt	4	M6x20
1-19	028203	Crankshaft	1	
1-20	047080	Bearing	2	#6306
1-21	027930	Oil Seal Case	2	
1-22	026965	O-Ring,Oil Seal Case	2	71.7x1.6
1-23	027330	Oil Seal	2	D30458
1-24	108379	Shaft Protector	1	
1-25	125824	Bolt	8	M6x16
1-26	048733	Connecting Rod Ass'y	3	
1-27	120971	Piston Rod	3	
1-28	020251	Piston Pin	3	11X29L
1-29	126585	Washer	3	24x32xT1.2
1-30	027987	Oil Seal	3	S10.5 32 7
1-31	027341	Seal Retainer	3	
1-32	027910	Oil Wick	3	
1-33	027911	Oil Pan	1	
1-34	026853	Packing	3	
1-35	100015	Seal	3	
1-36	129075	Inlet Manifold	1	
1-37	126593	Washer	4	10.5x15.5xt1.5
1-38	120973	Cylinder Bolt	4	M10x175.5
1-39	108424	Adapter	6	
1-40	027954	Packing	1	32x38xt0.5
1-41	027536	O-Ring	6	27.2x2.65
1-42	026969	O-Ring	6	31.3x2.65
1-43	108425	Cylinder Pipe	3	32x38x70
1-44	126522	Nut	2	M10
1-45	632584	Inlet Valve Ass'y	3	Incl.46-51

1. MS753-A
CRANKCASE, SUCTION VALVE



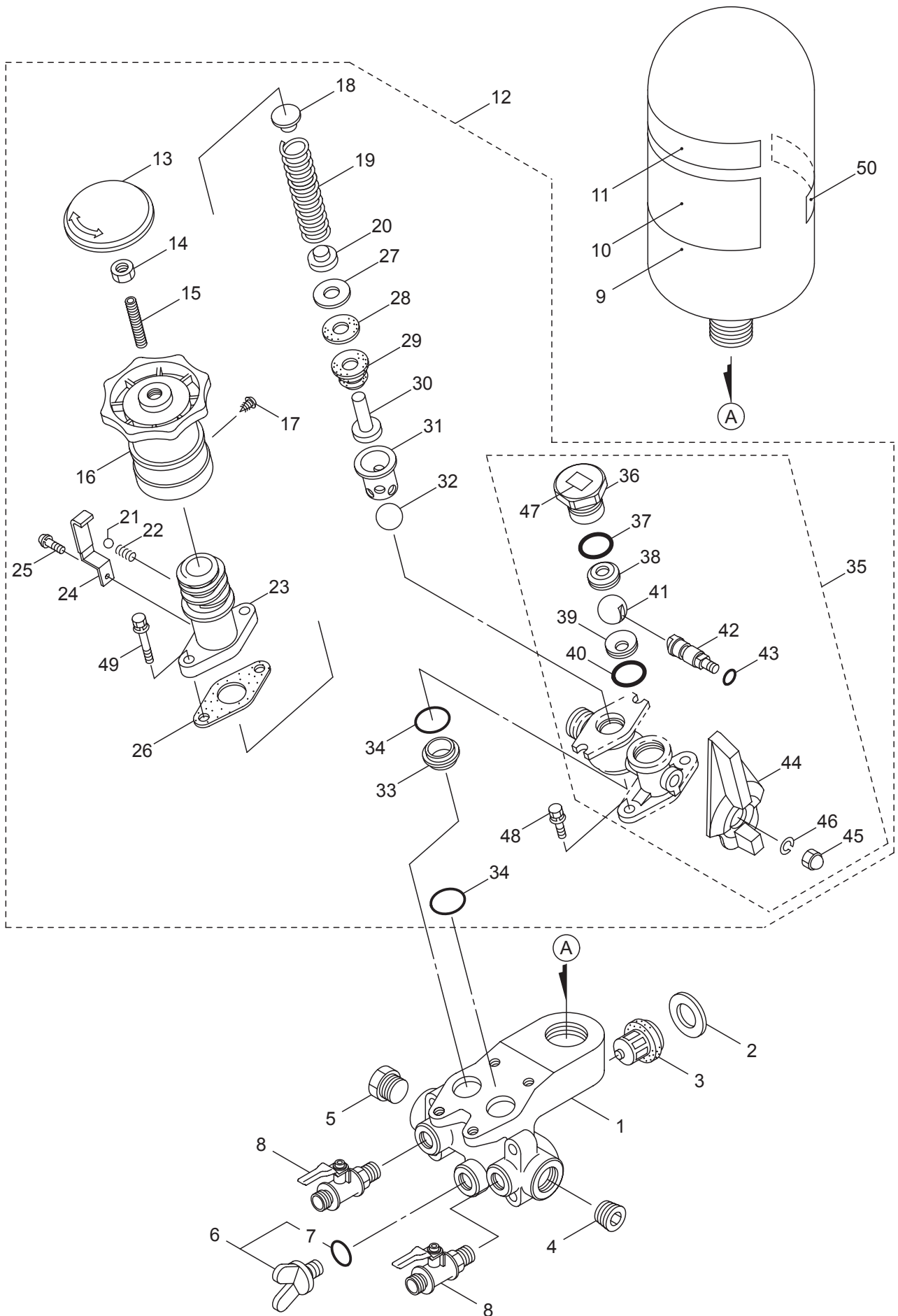
Ref. No.	Part No.	Part Name	Q'ty	Remarks
1-46	027944	Inlet Valve Seat	3	7x28x3.8
1-47	632587	Piston Packing Set	3	Incl.51
1-48	027796	Collar	3	7x10x11.5L
1-49	027947	Piston Retainer	3	7x26x3
1-50	015850	Spring Washer	3	M7
1-51	115598	Nut	3	M7
1-52	126567	Nut	4	M10
1-53	108408	V-pulley	1	229-Bx2
1-54	064203	Key	1	7x7x30L
1-55	126258	Bolt	1	M8x20
1-56	126198	Washer	1	8.5x30xT3.2
1-57	117634	Angle Rail	2	

2. MS753-A
PRESSURE REGULATOR VALVE



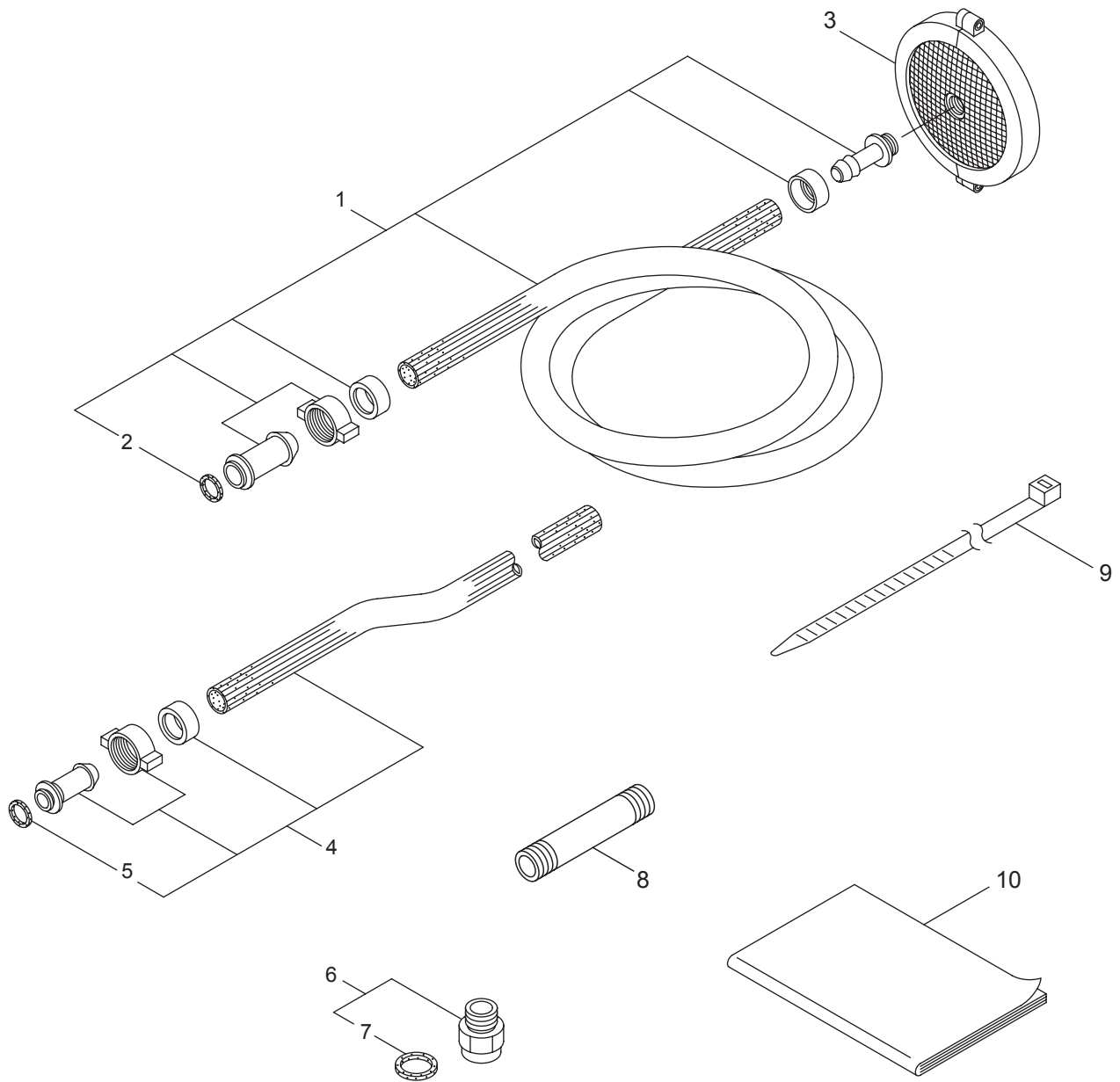
Ref. No.	Part No.	Part Name	Q'ty	Remarks
2-1	120906	Discharge Manifold	1	
2-2	108406	Washer	3	21.5x36xt3
2-3	120236	Discharge Valve Ass'y	3	
2-4	120909	Plug	1	R3/4
2-5	108399	Plug	1	R3/4
2-6	632737	Plug Ass'y	1	Incl.7 G1/4
2-7	023170	O-Ring	1	P12.5
2-8	120835	Cock Ass'y	2	G3/8xR3/8
2-9	108392	Air Chamber Assy	1	
2-10	121443	Label	1	
2-11	115372	Label	1	
2-12	120910	Pressure Regulator Valve Ass'y	1	Incl.13-49
2-13	120911	Cap	1	
2-14	126195	Nut	1	M10
2-15	120913	Screw	1	M10x35
2-16	120914	Grip	1	
2-17	089899	Tapping Screw	1	M4x13
2-18	108402	Retainer(upper)	1	
2-19	120917	Spring	1	
2-20	120918	Retainer(lower)	1	
2-21	011495	Valve Ball	1	1/4"
2-22	121221	Spring	1	
2-23	120919	Case	1	
2-24	121079	Plate	1	
2-25	092100	Screw	1	M4x6
2-26	122734	Packing	1	T0.5
2-27	120925	Washer	1	
2-28	120926	Bellows Packing	1	
2-29	120927	Bellows	1	
2-30	120929	Valve Rod	1	
2-31	120930	Valve Sack	1	
2-32	120931	Valve Ball	1	7/8"
2-33	120932	Valve Seat	1	
2-34	020285	O-Ring	2	P24
2-35	121015	By-pass Valve Ass'y	1	Incl.36-47
2-36	120933	Ball Retainer	1	
2-37	013975	O-Ring	1	S24
2-38	121692	Valve Seat	1	
2-39	121693	Valve Seat	1	
2-40	013970	O-Ring	1	S18
2-41	120934	Ball Valve	1	
2-42	120935	Ball Retainer	1	
2-43	025300	O-Ring	1	S6
2-44	121007	Handle	1	
2-45	100166	Nut	1	M5

2. MS753-A
PRESSURE REGULATOR VALVE



Ref. No.	Part No.	Part Name	Q'ty	Remarks
2-46	029754	Spring Washer	1	M5
2-47	108355	Label	1	Arrow mark
2-48	125753	Bolt	2	M8x25
2-49	120937	Bolt	2	M8x70x30
2-50	121074	Label	1	

3. MS753-A
ACCESSORIES



Ref. No.	Part No.	Part Name	Q'ty	Remarks
3-1	108450	Suction Hose Ass'y	1	Incl.2 25x3.6M
3-2	103687	Packing	1	23.5x30xt2
3-3	122017	Suction Strainer Ass'y	1	
3-4	108452	Discharge Hose Ass'y	1	Incl.5 19x3.6M
3-5	103686	Packing	1	18.5x24xt2
3-6	811343	Extension Ass'y	1	Incl.7 G3/8xG1/4
3-7	011205	Packing	1	11.5x16.5xt1.5
3-8	028713	Nipple	1	R3/4x75L
3-9	107107	Band	1	
3-10	129072	Instruction Manual	1	



Maruyama U.S., Inc.
3570 Shelby Lane
Denton, TX 76207
940-383-7400 voice
940-383-7466 fax

www.maruyama-us.com