

Is Your Product Registered?

Contact your Dealer to verify.

Warranties are based on Registrations and reduced to 1 year without
Registration.



MARUYAMA U.S., INC.

301 – 30th St. NE, Suite 118, Auburn, WA 98002

PO Box 309, Auburn, WA 98071-0309

Phone 253-735-7368 Fax 253-735-1416

ILLUSTRATED PARTS LIST

MODEL: MG10

GRANULE SPREADER

Effective 6-20-93

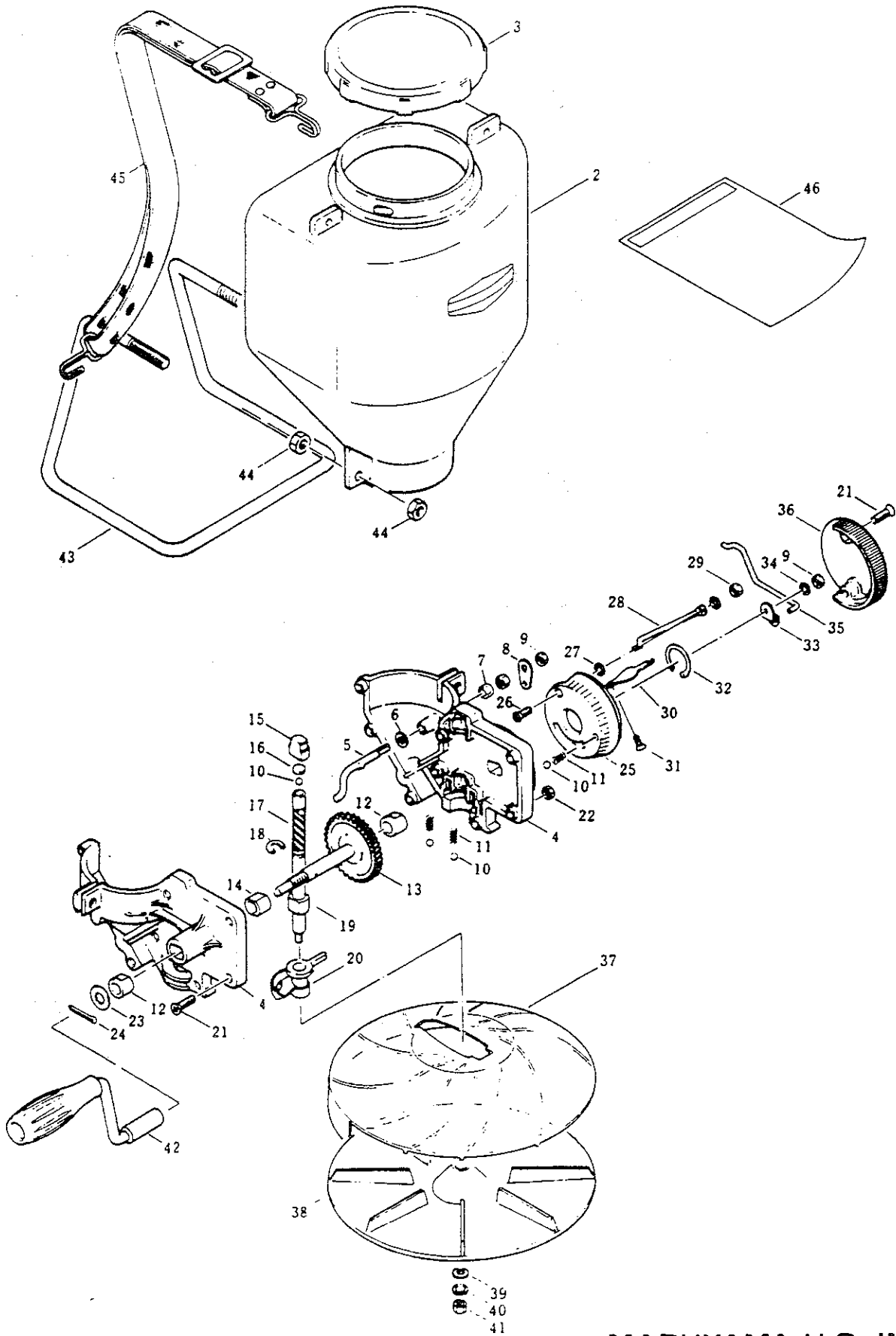


Maruyama — Manufacturing quality agricultural sprayers and equipment since 1895.

PARTS LIST

MODEL MG10

1. MAIN BODY, ACCESSORIES



MARUYAMA U.S., INC.

Ref. No	Parts No.	Parts Name	Q'ty	Ref. No.	Parts No.	Parts Name	Q'ty
1-1	338119	MG 10	1	1-41	941076	Nut	1
1-2	976579	Tank main body	1	1-42	941077	Handle	1
1-3	976578	Tank cap	1	1-43	941533	Hanging frame	1
1-4	941045	Gear case (includes both sides)	1	1-44	941032	Nut	4
1-5	941046	Agitator shaft	1	1-45	941033	Strap	1
1-6	941018	Washer	1	1-46	941034	Instruction manual	1
1-7	941047	Collar	1				
1-8	941048	Agitator arm (B)	1				
1-9	941016	Nut	3				
1-10	941025	Steel ball (7/32")	4				
1-11	941049	Spring	3				
1-12	941050	Handle shaft metal (A)	2				
1-13	941051	Handle shaft	1				
1-14	941052	Handle shaft metal (B)	1				
1-15	941053	Propeller shaft metal (A)	1				
1-16	941054	Washer	1				
1-17	941055	Propeller shaft	1				
1-18	941056	C-shaped snap ring	1				
1-19	941057	Propeller shaft metal (B)	1				
1-20	941058	Direction adjuster	1				
1-21	941059	Screw	10				
1-22	941060	Nut	8				
1-23	941028	Washer	1				
1-24	941029	Cotter pin	1				
1-25	941061	Volume adjuster	1				
1-26	941062	Screw	1				
1-27	941063	Washer	2				
1-28	941064	Shutter rod	1				
1-29	941065	Nut	1				
1-30	941066	Volume shutter	1				
1-31	941068	Screw	1				
1-32	941069	C-shaped snap ring	1				
1-33	941070	Agitator arm (A)	1				
1-34	941004	Spring washer	1				
1-35	941071	Agitator rod	1				
1-36	941072	Volume adjuster cover	1				
1-37	941531	Propeller upper lid	1				
1-38	941074	Propeller	1				
1-39	012488	Washer	1				
1-40	941532	Star Washer	1				