

Is Your Product Registered?

Contact your Dealer to verify.

Warranties are based on Registrations and reduced to 1 year without
Registration.

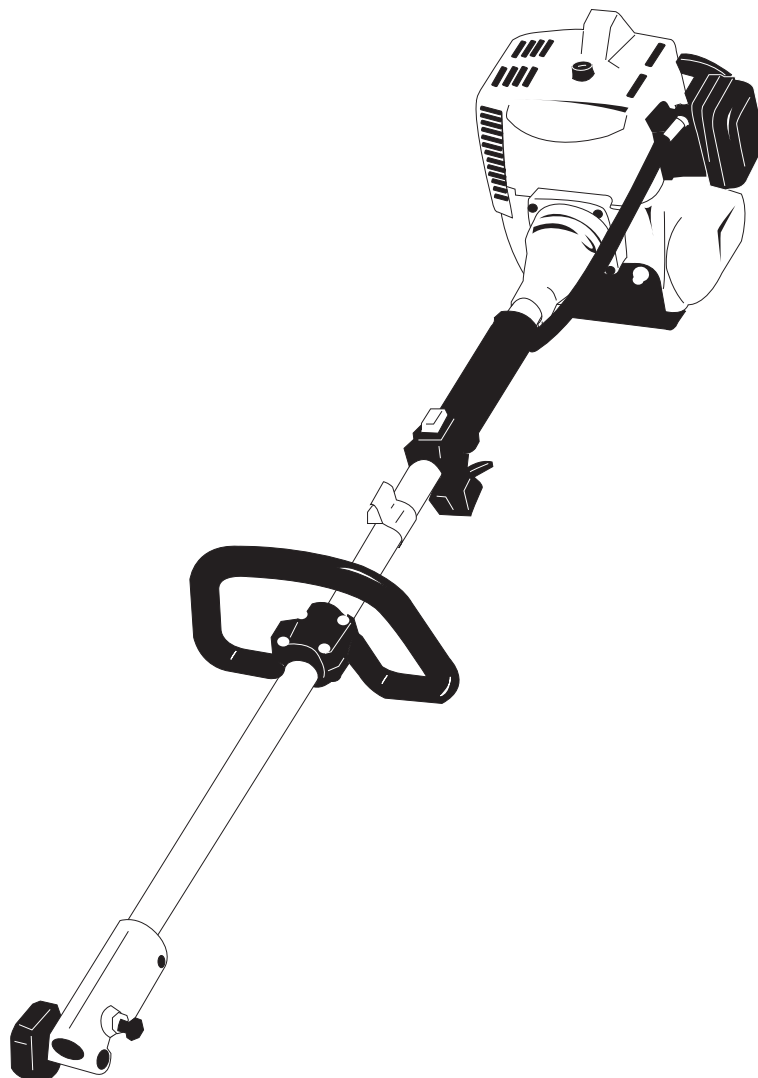
MARUYAMA

ILLUSTRATED PARTS LIST

MC269

MC329

MULTICUTTER



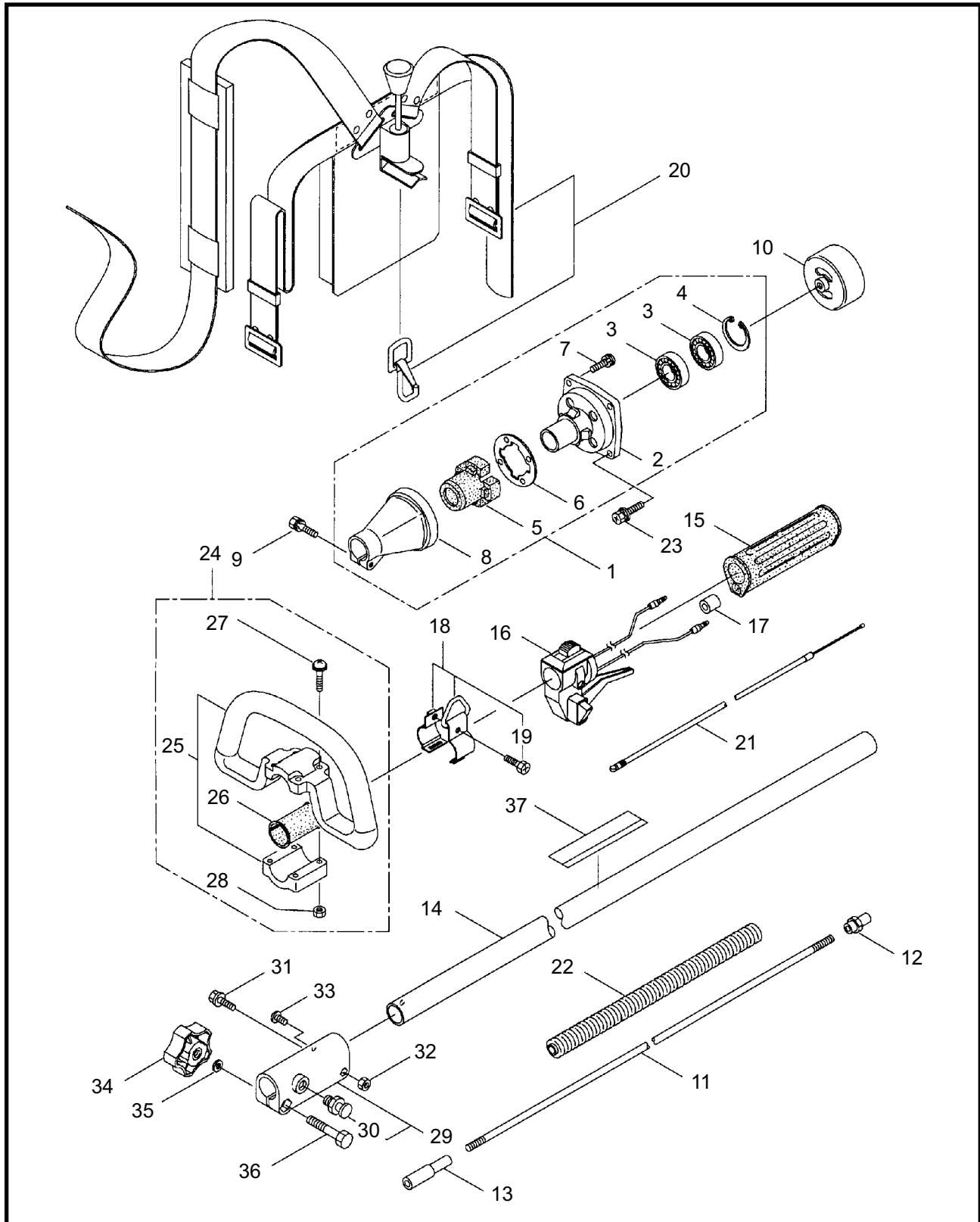
MC269/329
BACKPACK BRUSHCUTTER
PART 845419-REV04/03



Maruyama. *E x t r a o r d i n a r y .*

2 ILLUSTRATED PARTS LIST
MC329 & MC269

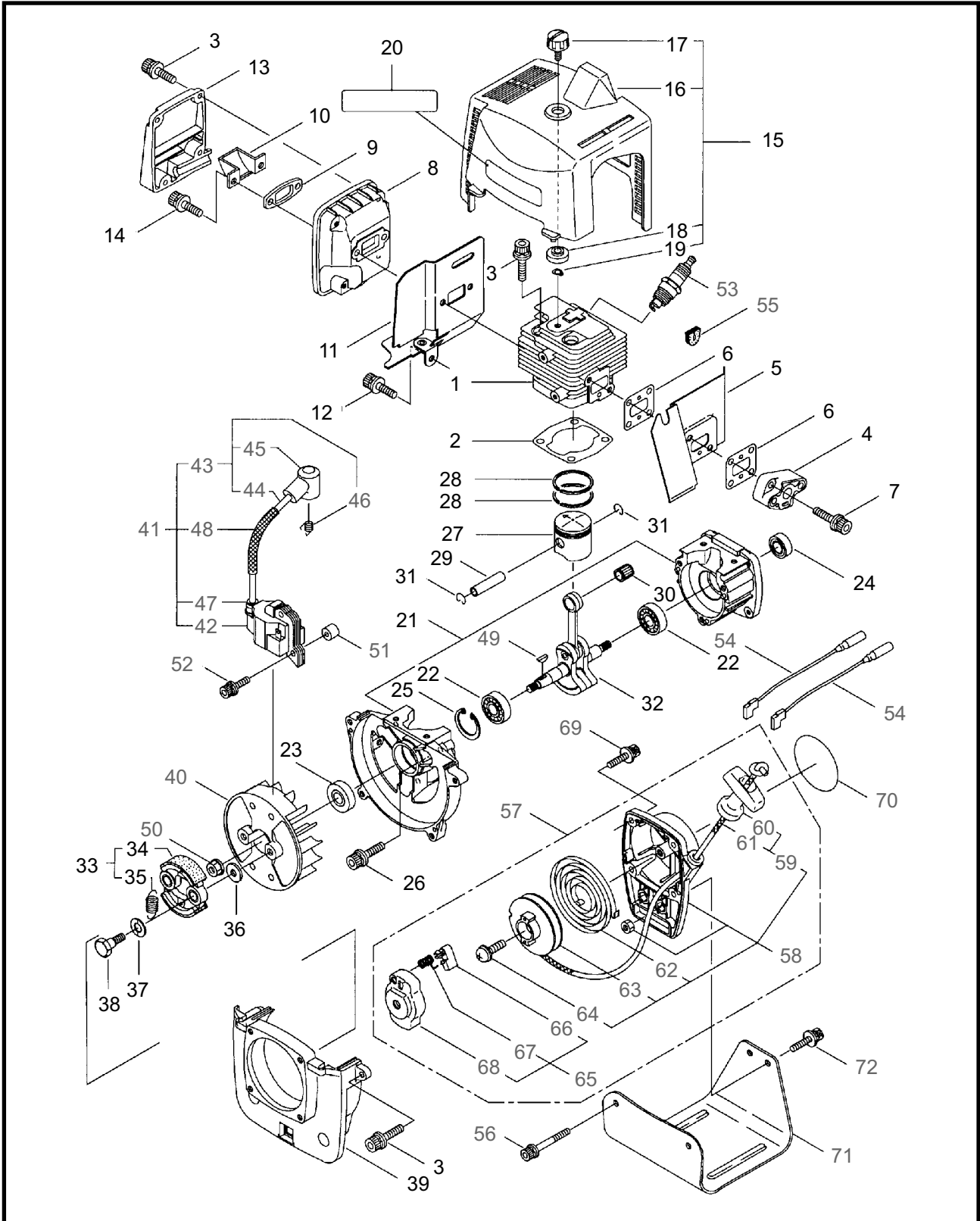
MAIN BODY



| REF # | PART # | DESCRIPTION | Q'TY. | NOTES |
|--------------|---------------|-------------------------|--------------|--------------|
| 1 | 215512 | Clutch Case Ass'y | 1 | Incl. 2-8 |
| 2 | 214592 | Bearing Case | 1 | |
| 3 | 214161 | Bearing | 2 | #6000ZZ |
| 4 | 054676 | Snap Ring | 1 | |
| 5 | 214162 | Buffer | 1 | |
| 6 | 214163 | Washer | 1 | |
| 7 | 092033 | Screw | 4 | M5x15 |
| 8 | 214593 | Driveshaft Tube Adapter | 1 | |
| 9 | 092561 | Bolt | 1 | M5x25 |
| 10 | 054677 | Clutch Drum | 1 | |
| 11 | 219084 | Driveshaft | 1 | |
| 12 | 211464 | Upper Adapt | 1 | |
| 13 | 215276 | Lower Adapt | 1 | |
| 14 | 219085 | Driveshaft Tube | 1 | |
| 15 | 215532 | Shaft Grip | 1 | |
| 16 | 221465 | Throttle Trigger | 1 | |
| 17 | 214083 | Outer Guide | 1 | |
| 18 | 054691 | Hanging Bracket Ass'y | 1 | Incl. 19 |
| 19 | 089738 | Bolt | 1 | M5x15 |
| 20 | 210463 | Hanging Strap Ass'y | 1 | |
| 21 | 213444 | Throttle Cable | 1 | |
| 22 | 213548 | Plastic Tube | 1 | |
| 23 | 817002 | Bolt | 4 | M5x20 |
| 24 | 214224 | Loop Handle Ass'y | 1 | Incl. 25-28 |
| 25 | 214982 | Loop Handle | 1 | |
| 26 | 213171 | Packing | 1 | |
| 27 | 222142 | Screw | 4 | M5x28 |
| 28 | 081027 | Nut | 4 | M5 |
| 29 | 219490 | Shaft Coupler Ass'y | 1 | Incl. 30 |
| 30 | 217171 | Plunger Ass'y | 1 | |
| 31 | 215351 | Cap Screw | 1 | M5x10 |
| 32 | 089846 | Nut | 1 | M5 |
| 33 | 219087 | Cap Screw | 1 | M5x10 |
| 34 | 219088 | Clamping Knob Ass'y | 1 | |
| 35 | 550131 | Washer | 1 | M8 |
| 36 | 089976 | Bolt | 1 | M8x45 |
| 37 | 225259 | Label | 1 | MC269/MC329 |

4 ILLUSTRATED PARTS LIST
MC329

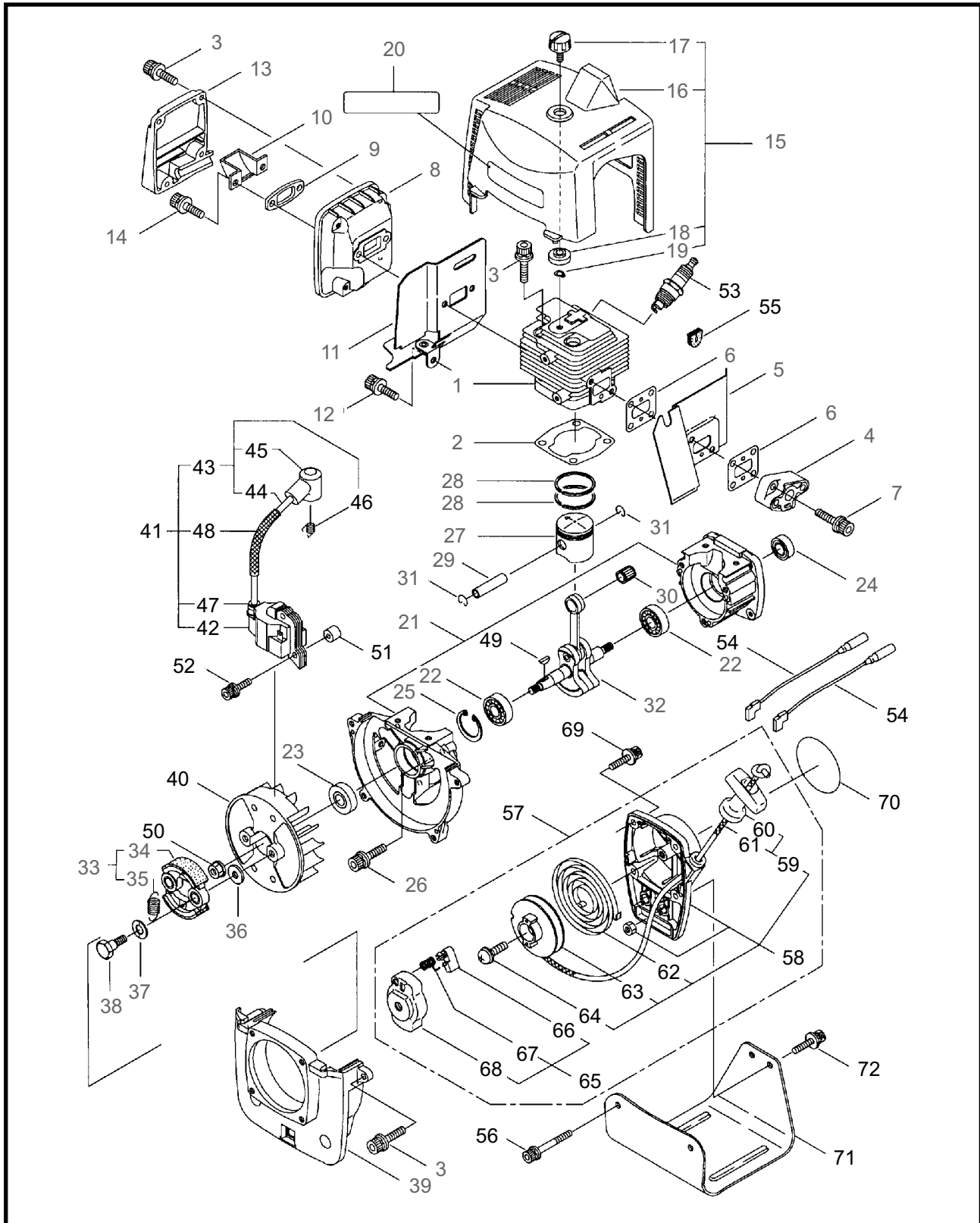
ENGINE



| REF # | PART # | DESCRIPTION | Q'TY. | NOTES |
|--------------|---------------|----------------------------|--------------|----------------------------|
| 1 | 261360 | Cylinder | 1 | New gasket required |
| 2 | 261528 | Gasket | 1 | |
| 3 | 261250 | Cap Screw | 10 | M5x20 |
| 4 | 261938 | Insulator | 1 | New gasket required |
| 5 | 261364 | Air Duct | 1 | |
| 6 | 261171 | Gasket | 2 | |
| 7 | 265924 | Cap Screw | 2 | M5x25 |
| 8 | 261825 | Muffler Body | 1 | New muffler cover required |
| 9 | 261986 | Deflector Plate | 1 | |
| 10 | 261368 | Deflector | 1 | |
| 11 | 261833 | Gasket | 1 | |
| 12 | 261607 | Cap Screw | 1 | M5x16 |
| 13 | 261372 | Muffler Body | 1 | New muffler body required |
| 14 | 261246 | Cap Screw | 2 | M5x25 |
| 15 | 265304 | Top Cover Ass'y | 1 | Incl. 16-19 |
| 16 | 265305 | Top Cover | 1 | |
| 17 | 261018 | Knob | 1 | |
| 18 | 261020 | Spacer | 1 | |
| 19 | 261734 | Snap Ring | 1 | |
| 20 | 262100 | Label | 1 | MARUYAMA |
| 21 | 261379 | Crankcase | 1 | |
| 22 | 261384 | Bearing | 2 | #6201C3 |
| 23 | 261385 | Oil Seal | 1 | |
| 24 | 261386 | Oil Seal | 1 | |
| 25 | 016732 | Snap Ring | 1 | |
| 26 | 261612 | Cap Screw | 3 | M5x30 |
| 27 | 266980 | Piston | 1 | |
| 28 | 261390 | Piston Ring | 2 | (2) Required |
| 29 | 261555 | Piston Pin | 1 | |
| 30 | 261392 | Bearing, Needle | 1 | |
| 31 | 261393 | Clip, Piston Pin | 2 | |
| 32 | 261395 | Crankshaft/Conn. Rod Ass'y | 1 | |
| 33 | 268439 | Clutch Ass'y | 1 | Incl. 34-38 |
| 34 | 264504 | Clutch Shoe | 2 | (2) Required |
| 35 | 263614 | Spring, Clutch | 1 | |
| 36 | 261189 | Washer | 2 | |
| 37 | 261777 | Wave Washer | 2 | |
| 38 | 264505 | Bolt | 2 | |
| 39 | 264104 | Fan Cover | 1 | |

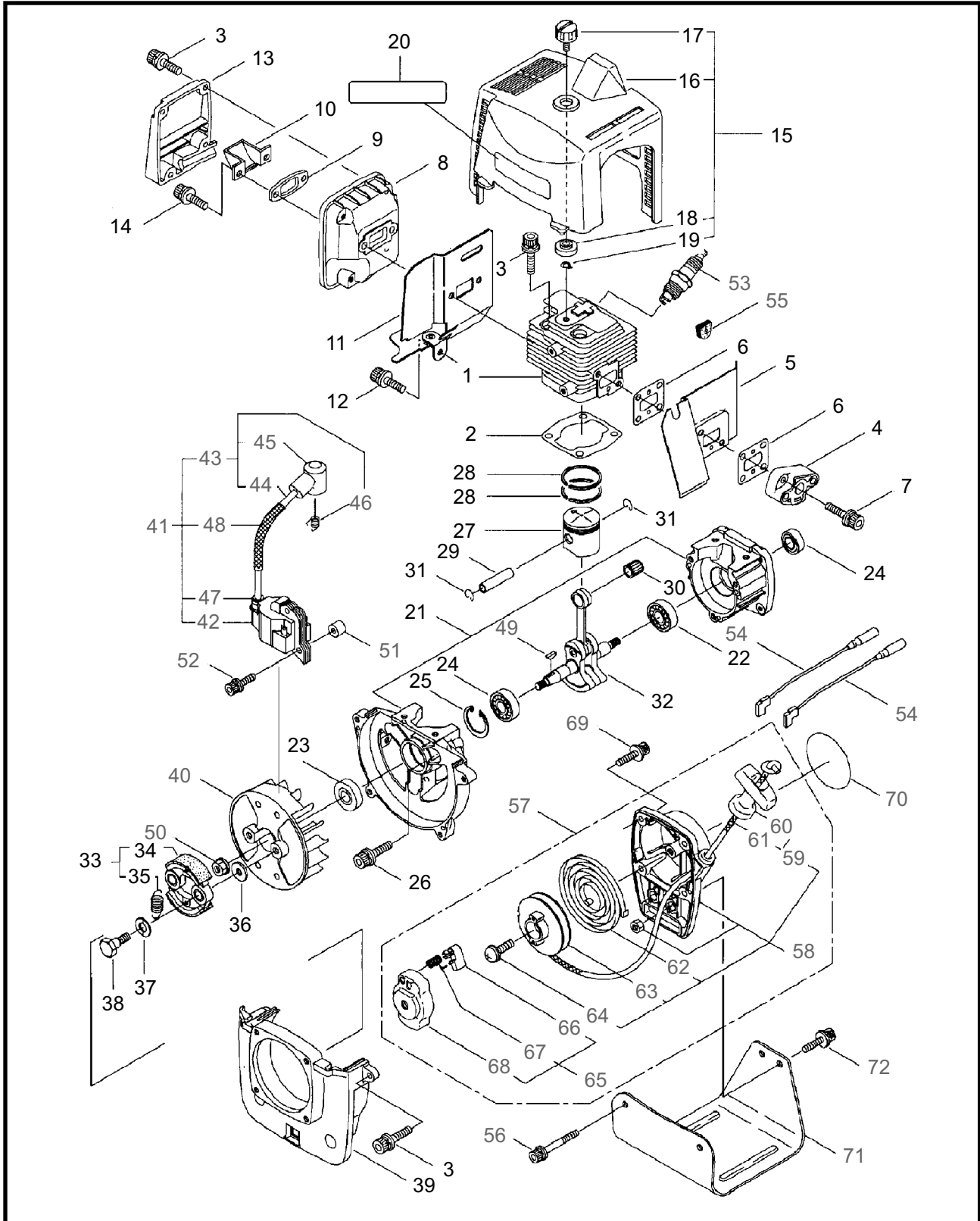
6 ILLUSTRATED PARTS LIST
MC329

ENGINE



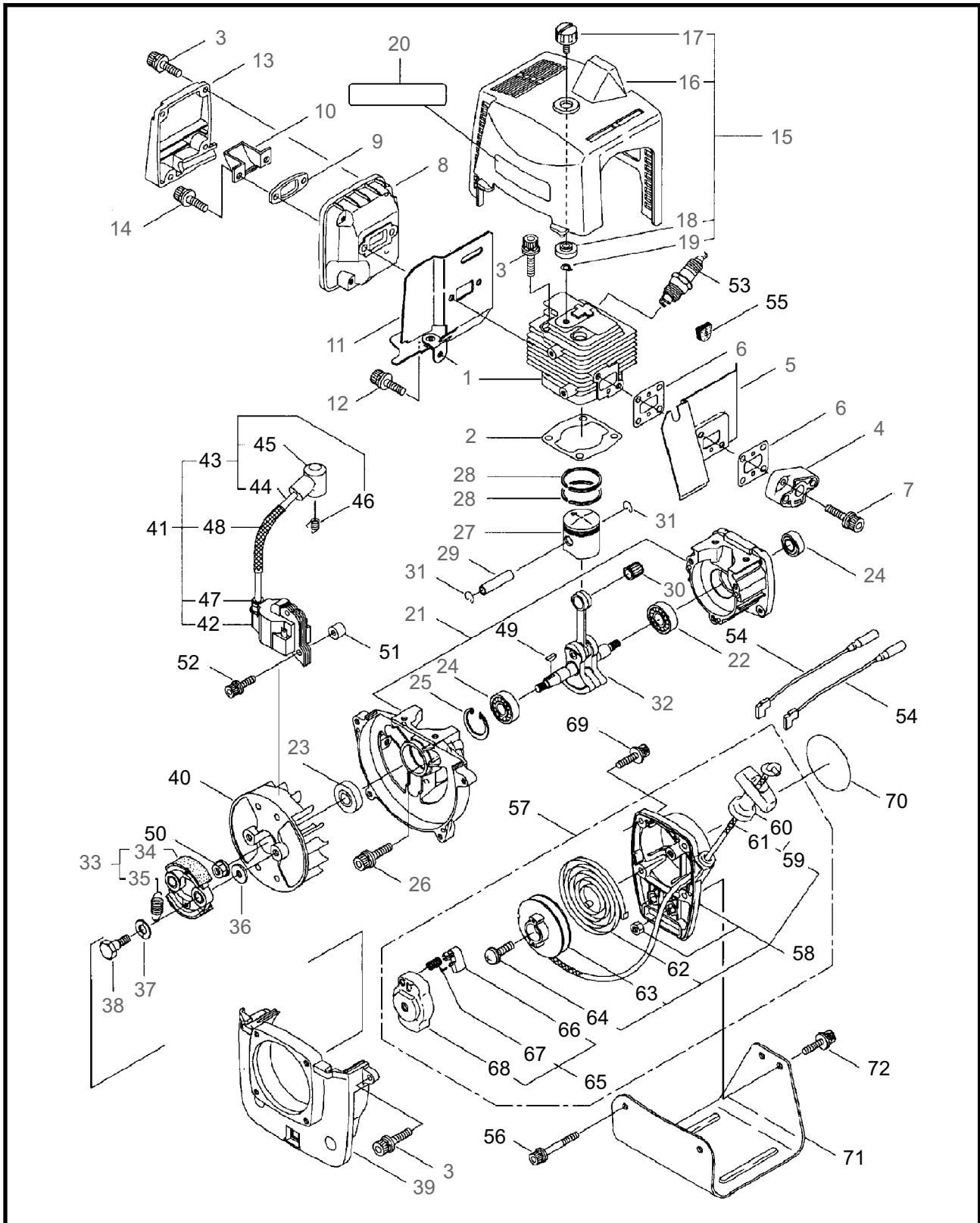
| REF # | PART # | DESCRIPTION | Q'TY. | NOTES |
|--------------|---------------|-----------------------|--------------|--------------|
| 40 | 261356 | Rotor/Fan | 1 | |
| 41 | 267173 | Ignition Coil Ass'y | 1 | Incl. 42-48 |
| 42 | 267174 | Coil | 1 | |
| 43 | 267403 | Spark Plug Wire Ass'y | 1 | Incl. 44-46 |
| 44 | 267404 | Spark Plug Wire | 1 | |
| 45 | 261074 | Plug Boot | 1 | |
| 46 | 261075 | Connector | 1 | |
| 47 | 261072 | Cap | 1 | |
| 48 | 269418 | Insulator | 1 | |
| 49 | 261076 | Woodruff Key | 1 | |
| 50 | 261417 | Nut, Rotor | 1 | M8 |
| 51 | 261078 | Spacer | 2 | |
| 52 | 261256 | Cap Screw | 2 | M4x25 |
| 53 | 261200 | Spark Plug | 1 | NGK BPM6Y |
| 54 | 267492 | Lead | 2 | |
| 55 | 261202 | Grommet | 1 | |
| 56 | 268270 | Cap Screw | 2 | M5x40 |
| 57 | 262006 | Recoil Starter Ass'y | 1 | Incl. 58-68 |
| 58 | 262039 | Recoil Ass'y | 1 | Incl. 59-64 |
| 59 | 261723 | Rope Ass'y | 1 | Incl. 60,61 |
| 60 | 261725 | Starter Grip | 1 | |
| 61 | 261724 | Starter Rope | 1 | |
| 62 | 261721 | Spiral Spring | 1 | |
| 63 | 261720 | Pulley | 1 | |
| 64 | 262922 | Screw | 1 | |
| 65 | 263475 | Starter Pawl Ass'y | 1 | Incl. 66-68 |
| 66 | 263477 | Pawl | 1 | |
| 67 | 261728 | Return Spring | 1 | |
| 68 | 263476 | Pawl Case | 1 | |
| 69 | 261257 | Cap Screw | 4 | M4x16 |
| 70 | 264525 | Label | 1 | MARUYAMA |
| 71 | 264659 | Stand | 1 | |
| 72 | 261607 | Cap Screw | 2 | M5x16 |

ENGINE



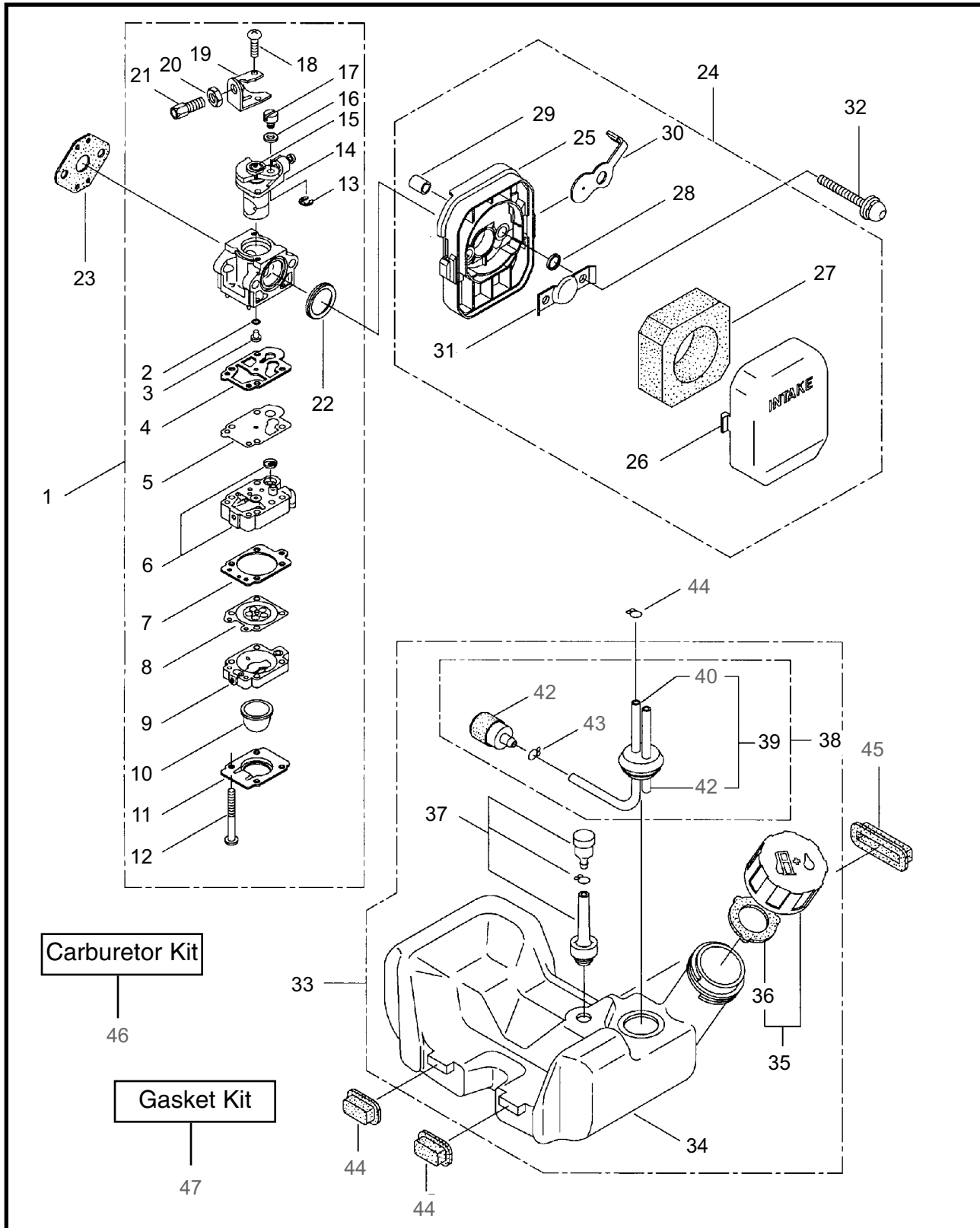
| REF # | PART # | DESCRIPTION | Q'TY. | NOTES |
|--------------|---------------|------------------------------|--------------|----------------------------|
| 1 | 261472 | Cylinder | 1 | New gasket required |
| 2 | 261474 | Gasket | 1 | |
| 3 | 261250 | Cap Screw | 10 | M5x20 |
| 4 | 261938 | Insulator | 1 | New gasket required |
| 5 | 261476 | Air Duct | 1 | |
| 6 | 261171 | Gasket | 2 | |
| 7 | 265924 | Cap Screw | 2 | M5x25 |
| 8 | 261366 | Muffler Body | 1 | New muffler cover required |
| 9 | 261986 | Deflector Plate | 1 | |
| 10 | 261368 | Deflector | 1 | |
| 11 | 261478 | Gasket | 1 | |
| 12 | 261607 | Cap Screw | 1 | M5x16 |
| 13 | 261480 | Muffler Cover | 1 | New muffler body required |
| 14 | 261246 | Cap Screw | 2 | M5x25 |
| 15 | 265321 | Top Cover Ass'y | 1 | Incl. 16-19 |
| 16 | 265322 | Top Cover | 1 | New label required |
| 17 | 261018 | Knob | 1 | |
| 18 | 261020 | Spacer | 1 | |
| 19 | 261734 | Snap Ring | 1 | |
| 20 | 262100 | Label | 1 | MARUYAMA |
| 21 | 261486 | Crankcase | 1 | |
| 22 | 261491 | Bearing | 2 | #6001C3 |
| 23 | 261492 | Oil Seal | 1 | |
| 24 | 261386 | Oil Seal | 1 | |
| 25 | 055185 | Snap Ring | 1 | |
| 26 | 261612 | Cap Screw | 3 | M5x30 |
| 27 | 261494 | Piston | 1 | |
| 28 | 261496 | Piston Ring | 2 | (2) Required |
| 29 | 261497 | Piston Pin | 1 | |
| 30 | 261037 | Bearing, Needle | 1 | |
| 31 | 261576 | Clip, Piston | 2 | |
| 32 | 261499 | Crankshaft / Conn. Rod Ass'y | 1 | |
| 33 | 264503 | Clutch Ass'y | 1 | Incl. 34,35 |
| 34 | 264504 | Clutch Shoe | 2 | (2) Required |
| 35 | 263614 | Spring, Clutch | 1 | |
| 36 | 261189 | Washer | 2 | |
| 37 | 261777 | Wave Washer | 2 | |
| 38 | 264505 | Bolt | 2 | |
| 39 | 264104 | Fan Cover | 1 | |

ENGINE



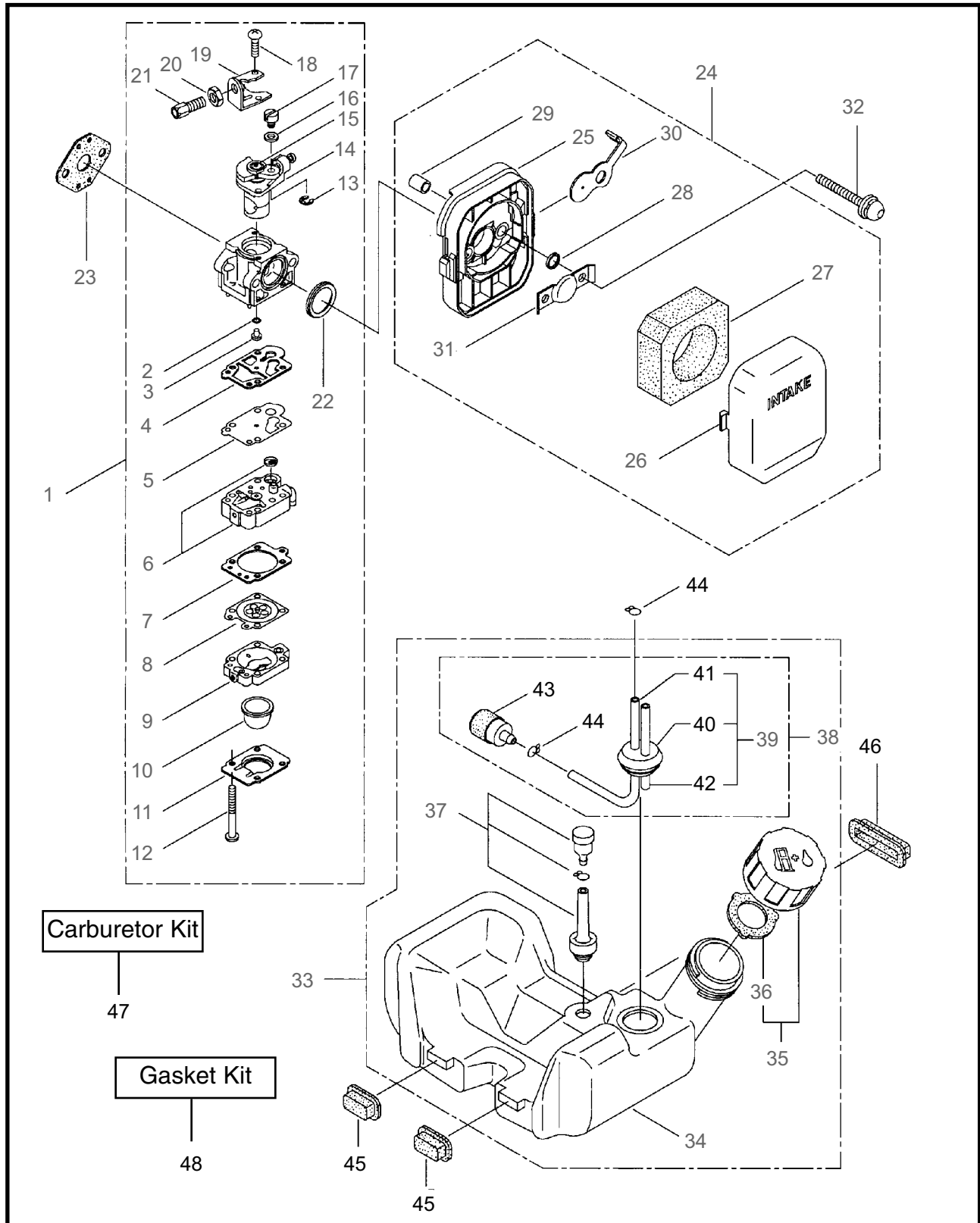
| REF # | PART # | DESCRIPTION | Q'TY. | NOTES |
|--------------|---------------|-----------------------|--------------|--------------|
| 40 | 261356 | Rotor/Fan | 1 | |
| 41 | 267173 | Ignition Coil Ass'y | 1 | Incl. 42-48 |
| 42 | 267174 | Coil | 1 | |
| 43 | 267403 | Spark Plug Wire Ass'y | 1 | Incl. 44-46 |
| 44 | 267404 | Spark Plug Wire | 1 | |
| 45 | 261074 | Plug Boot | 1 | |
| 46 | 261075 | Connector | 1 | |
| 47 | 261072 | Cap | 1 | |
| 48 | 269418 | Insulator | 1 | |
| 49 | 261076 | Woodruff Key | 1 | 3x10 |
| 50 | 261417 | Nut, Rotor | 1 | M8 |
| 51 | 261078 | Spacer | 2 | |
| 52 | 261256 | Cap Screw | 2 | M4x25 |
| 53 | 261200 | Spark Plug | 1 | NGK BPM6Y |
| 54 | 267492 | Lead | 2 | 130L |
| 55 | 261202 | Grommet | 1 | |
| 56 | 268270 | Cap Screw | 2 | M5x40 |
| 57 | 262006 | Recoil Starter Ass'y | 1 | Incl. 58-68 |
| 58 | 262039 | Recoil Ass'y | 1 | Incl. 59-64 |
| 59 | 261723 | Rope Ass'y | 1 | Incl. 60,61 |
| 60 | 261725 | Starter Grip | 1 | |
| 61 | 261724 | Starter Rope | 1 | 3x890L |
| 62 | 261721 | Spiral Spring | 1 | |
| 63 | 261720 | Pulley | 1 | |
| 64 | 262922 | Screw | 1 | |
| 65 | 263475 | Starter Pawl Ass'y | 1 | Incl. 66-68 |
| 66 | 263477 | Pawl | 1 | |
| 67 | 261728 | Return Spring | 1 | |
| 68 | 263476 | Pawl Case | 1 | |
| 69 | 261257 | Cap Screw | 4 | M4x16 |
| 70 | 265672 | Label | 1 | |
| 71 | 264658 | Stand | 1 | |
| 72 | 261607 | Cap Screw | 2 | M5x16 |

CARBURETOR AND FUEL TANK



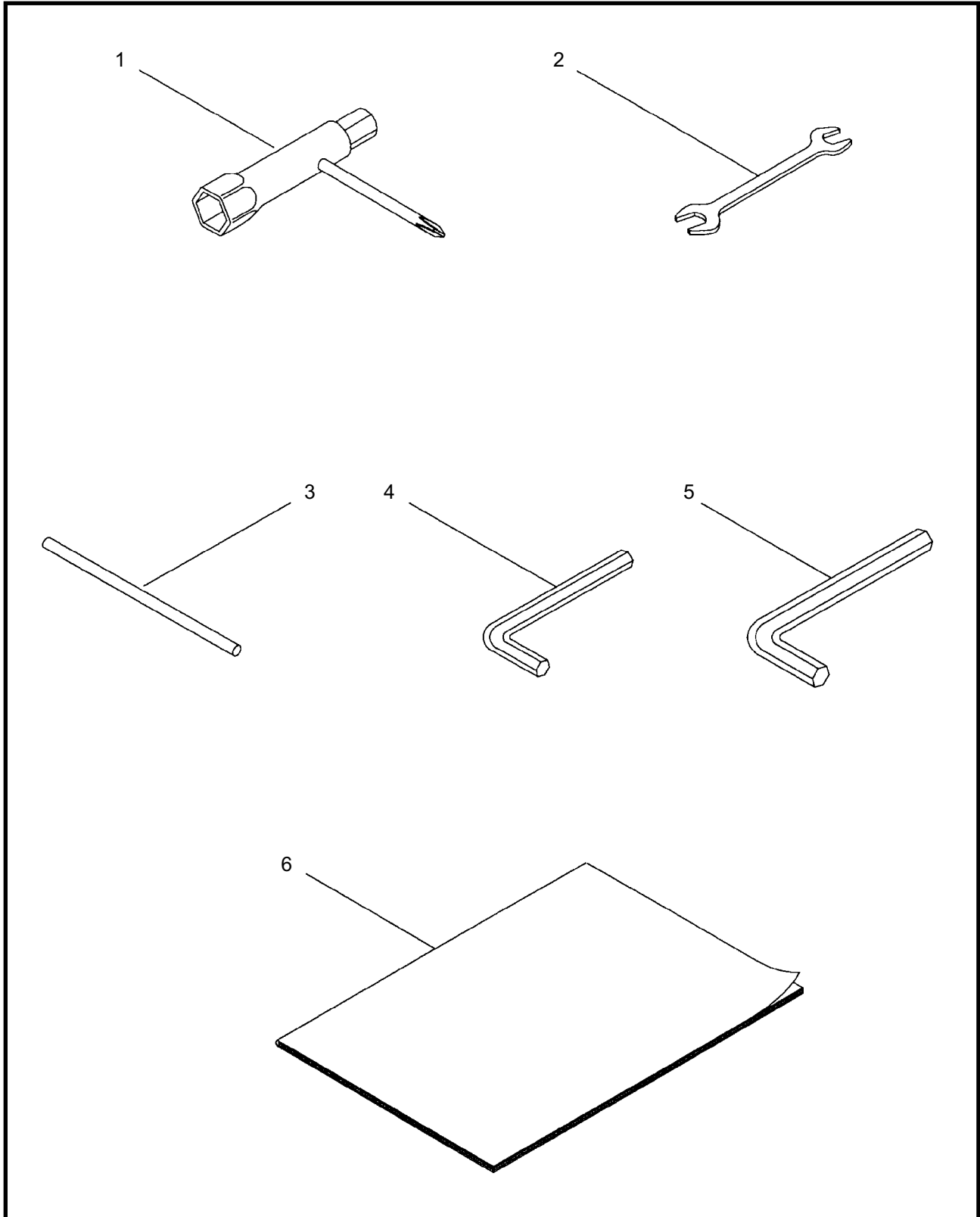
| REF # | PART # | DESCRIPTION | Q'TY. | NOTES |
|--------------|---------------|-------------------------|--------------|--------------|
| 1 | 268537 | Carburetor Ass'y | 1 | Incl. 2-22 |
| 2 | 261871 | O-Ring | 1 | |
| 3 | 262121 | Main Jet | 1 | #41 |
| 4 | 262995 | Gasket | 1 | |
| 5 | 262994 | Diaphragm, Fuel Pump | 1 | |
| 6 | 262985 | Pump Body | 1 | |
| 7 | 262993 | Gasket | 1 | |
| 8 | 261873 | Diaphragm, Metering | 1 | |
| 9 | 262991 | Purge Body | 1 | |
| 10 | 261874 | Primer Bulb | 1 | |
| 11 | 262992 | Cover Plate | 1 | |
| 12 | 262996 | Screw | 4 | |
| 13 | 261876 | E-Ring | 1 | |
| 14 | 264985 | Trottle Vavle Ass'y | 1 | |
| 15 | 261652 | Plug | 1 | |
| 16 | 264678 | Washer | 1 | |
| 17 | 261658 | Swivel | 1 | |
| 18 | 261875 | Screw | 2 | |
| 19 | 264677 | Bracket | 1 | |
| 20 | 261878 | Nut | 1 | |
| 21 | 263994 | Adapter | 1 | |
| 22 | 261657 | Packing | 1 | |
| 23 | 261864 | Gasket | 1 | |
| 24 | 262902 | Air Filter Ass'y | 1 | Incl. 25-31 |
| 25 | 263005 | Housing | 1 | |
| 26 | 262998 | Cover | 1 | |
| 27 | 263006 | Element | 1 | |
| 28 | 263000 | Washer | 1 | |
| 29 | 263001 | Sleeve | 2 | |
| 30 | 263007 | Choke Valve | 1 | |
| 31 | 263003 | Plate | 1 | |
| 32 | 264016 | Cap Screw | 2 | M5x60 |
| 33 | 264749 | Fuel Tank Ass'y | 1 | Incl. 34-44 |
| 34 | 264752 | Fuel Tank | 1 | |
| 35 | 261584 | Fuel Tank Cap Ass'y | 1 | Incl. 36 |
| 36 | 261105 | Gasket | 1 | |
| 37 | 261696 | Breather Ass'y | 1 | |
| 38 | 265752 | Fuel Pipe Pick-up Ass'y | 1 | Incl. 39-44 |
| 39 | 264031 | Fuel Pipe Ass'y | 1 | Incl. 40-42 |

CARBURETOR AND FUEL TANK



| REF # | PART # | DESCRIPTION | Q'TY. | NOTES |
|--------------|---------------|--------------------|--------------|--------------|
| 40 | 261690 | Fuel Pipe | 1 | |
| 41 | 263038 | Return Pipe | 1 | |
| 42 | 264653 | Filter Ass'y | 1 | |
| 43 | 261117 | Clip | 2 | |
| 44 | 261118 | Pad | 2 | |
| 45 | 261119 | Pad | 1 | |
| 46 | 840859 | Carburetor Kit | | |
| 47 | 840860 | Gasket Kit | | |

ACCESSORIES



| REF # | PART # | DESCRIPTION | Q'TY. | NOTES |
|--------------|---------------|---------------------|--------------|--------------|
| 1 | 210418 | Box Spanner | 1 | |
| 2 | 022865 | Double-ended Wrench | 1 | 8x10 |
| 3 | 210181 | Lever Handle | 1 | |
| 4 | 219432 | Wrench | 1 | 4mm |
| 5 | 219433 | Wrench | 1 | 5mm |
| 6 | 225263 | Instruction Manual | 1 | MC269/MC329 |



Maruyama U.S., Inc.

301 - 30th St. NE Ste. #118

Auburn, WA 98002

425-885-0811 voice

425-885-0123 fax

www.maruyama-us.com