

Is Your Product Registered?

Contact your Dealer to verify.

Warranties are based on Registrations and reduced to 1 year without
Registration.

MARUYAMA

ILLUSTRATED PARTS LIST

BC5021H
BRUSHCUTTER

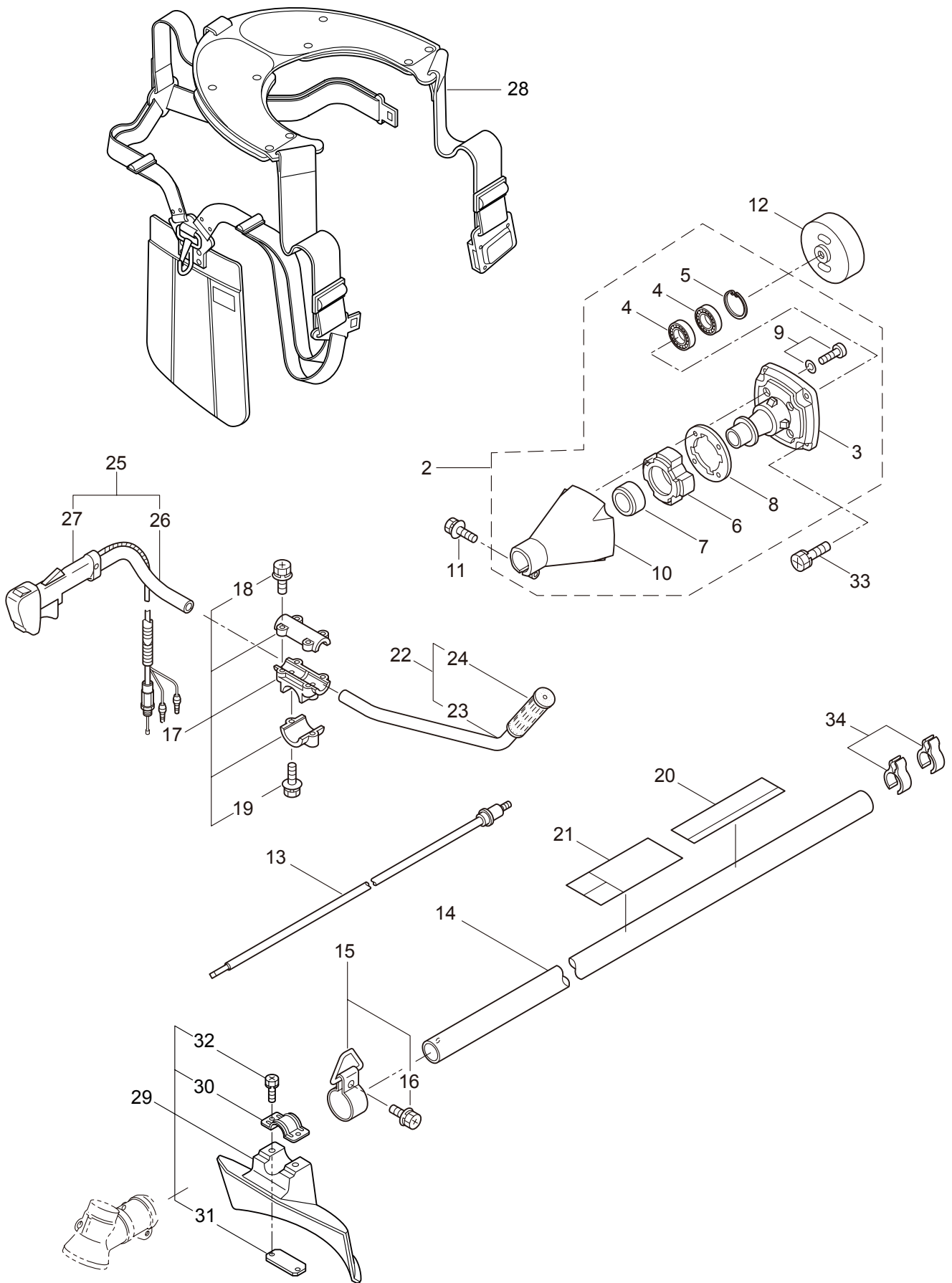


BC5021H
BRUSHCUTTER
PART # 522770 05/2009



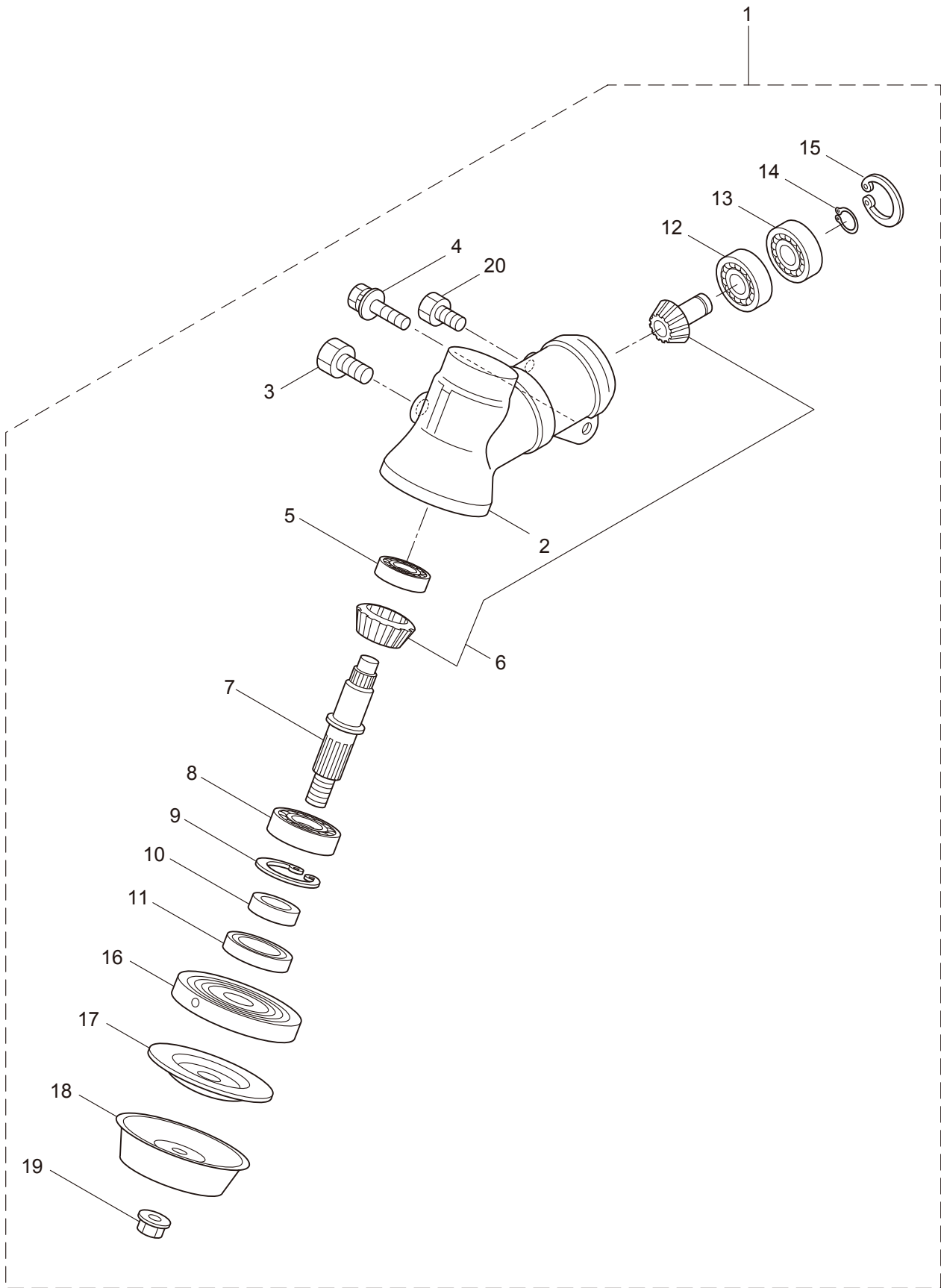
Maruyama. *E x t r a o r d i n a r y .*

1. BC5021H
MAIN BODY



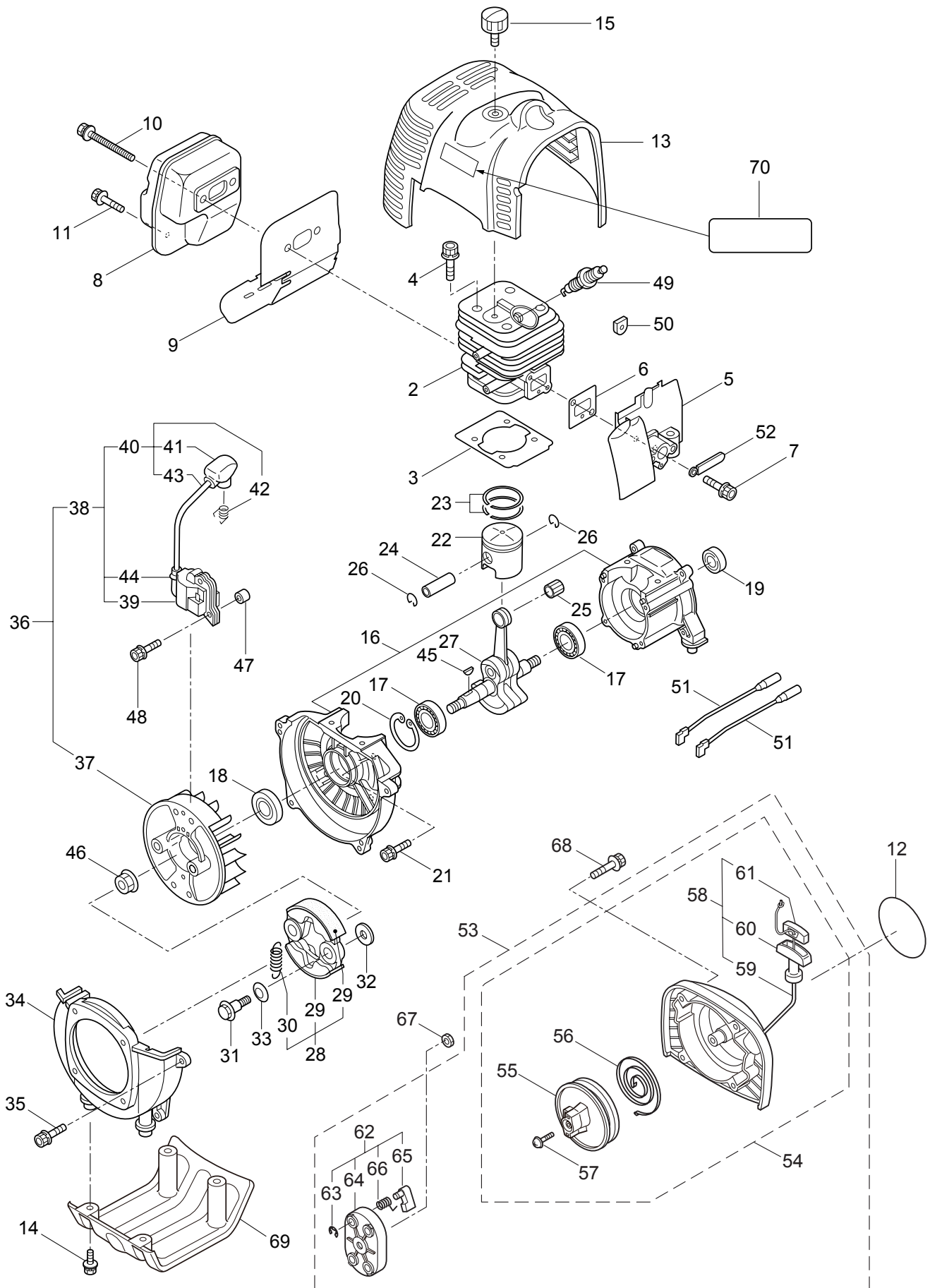
Ref. No.	Part No.	Part Name	Q'ty	Remarks
1-2	228329	Clutch Case Ass'y	1	Incl.3-10
1-3	227729	Bearing Case	1	
1-4	140474	Bearing	2	#6202ZZ
1-5	012380	Snap Ring	1	#35
1-6	217045	Buffer (A)	1	
1-7	217046	Buffer (B)	1	
1-8	217047	Washer	1	
1-9	092033	Screw	4	M5x15
1-10	227728	Driveshaft Tube Adapter	1	
1-11	092556	Bolt	1	M6x30
1-12	211203	Clutch Drum	1	
1-13	217897	Driveshaft Ass'y	1	
1-14	217900	Driveshaft Tube	1	
1-15	217850	Hanging Bracket Ass'y	1	Incl.16
1-16	092548	Bolt	1	M5x15
1-17	217638	Bracket Ass'y	1	Incl.18,19
1-18	092554	Bolt	4	M6x25
1-19	092556	Bolt	2	M6x30
1-20	230764	Label	1	BC5021H
1-21	213750	Label	1	Caution
1-22	228398	Handle Ass'y-Left	1	Incl.23,24
1-23	228399	Handle (A)	1	
1-24	226512	Grip	1	
1-25	229074	Handle Ass'y-Right	1	Incl.26,27
1-26	228401	Handle (B)	1	
1-27	229005	Throttle Trigger	1	
1-28	998384	Full Support Harness	1	
1-29	219873	Safety Cover Ass'y	1	Incl.30-32
1-30	219874	Bracket	1	
1-31	210313	Threaded Bracket	1	
1-32	092555	Bolt	2	M6x30
1-33	092552	Bolt	4	M6x20
1-34	219161	Wire Guide	2	

2. BC5021H
GEAR CASE



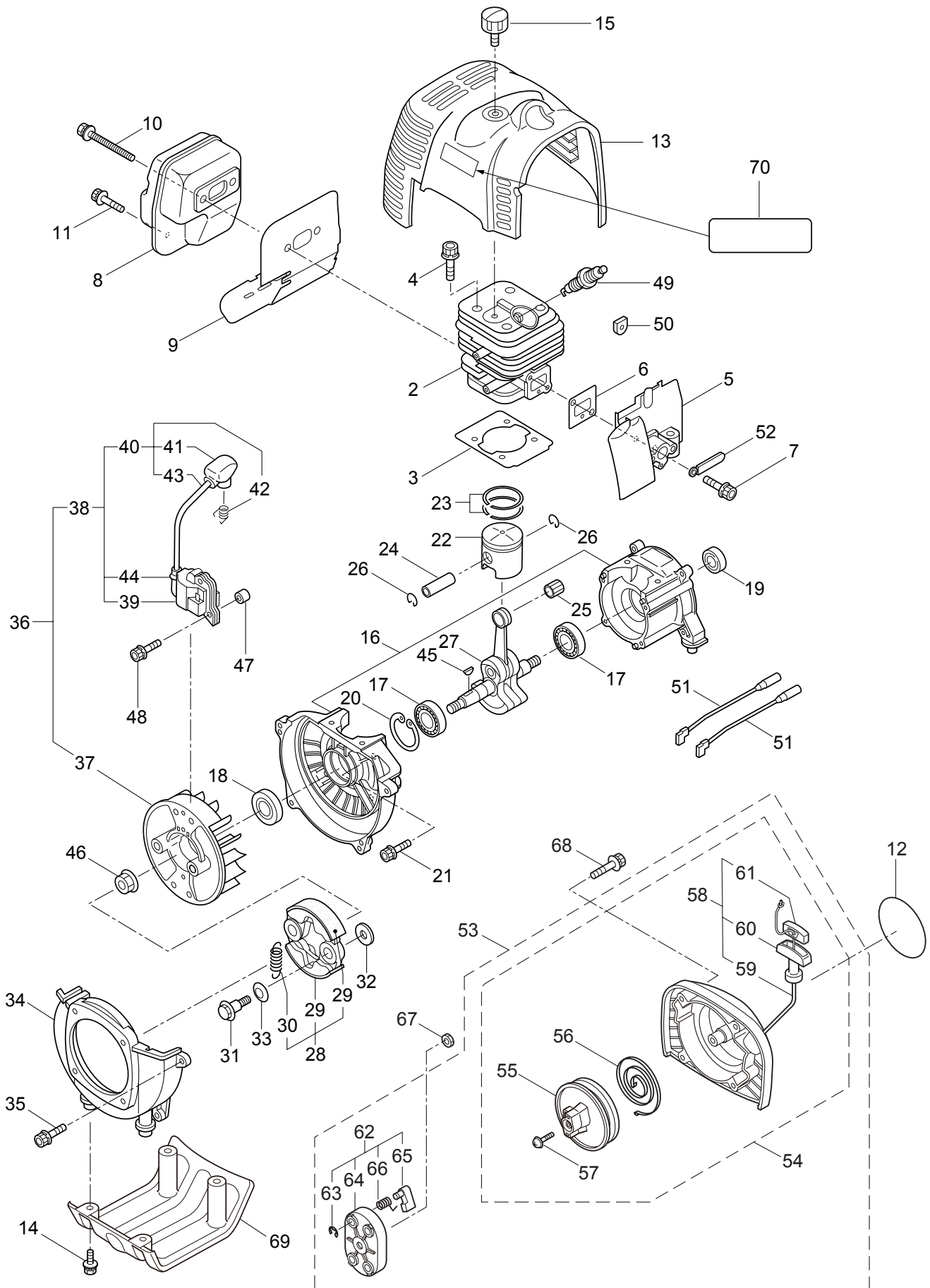
Ref. No.	Part No.	Part Name	Q'ty	Remarks
2-1	229098	Gearcase Ass'y	1	Incl.2-20
2-2	219646	Gearcase	1	
2-3	089101	Bolt	1	M8x10
2-4	092556	Bolt	1	M6x30
2-5	210560	Bearing	1	#609
2-6	227102	Gear Set	1	
2-7	229099	Blade Shaft	1	
2-8	022009	Bearing	1	#6002
2-9	016732	Snap Ring	1	#32
2-10	212394	Collar	1	15x22x8L
2-11	211818	Oil Seal	1	D22 32 6
2-12	014490	Bearing	1	#6000
2-13	106933	Bearing	1	#6000Z
2-14	014210	Snap Ring	1	#10
2-15	054676	Snap Ring	1	#26
2-16	217060	Boss Adapter	1	
2-17	217061	Clamping Washer	1	
2-18	227960	Nut Cover	1	
2-19	227961	Blade Locking Nut	1	
2-20	089747	Bolt	1	M6x12

3. BC5021H
ENGINE



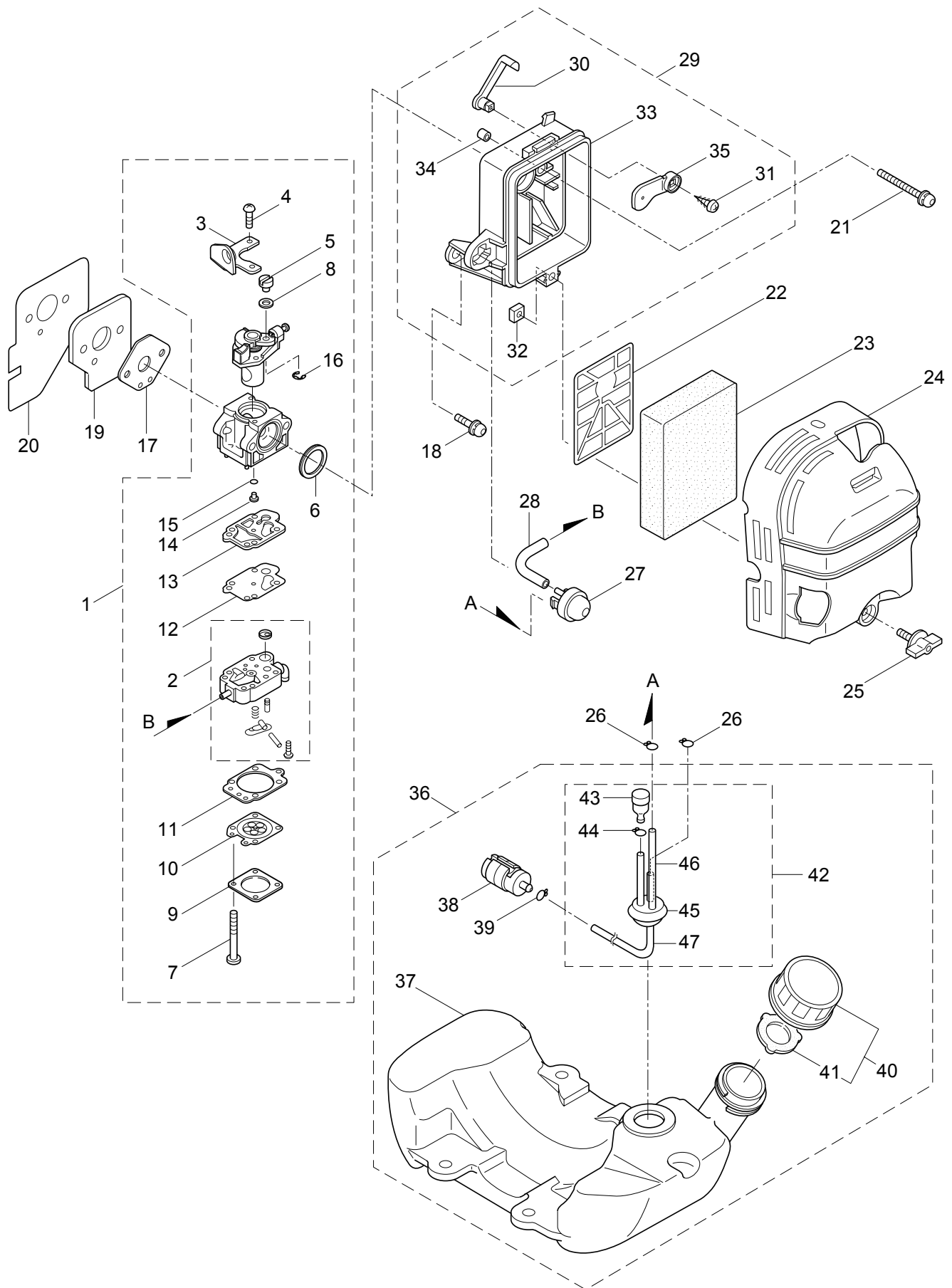
Ref. No.	Part No.	Part Name	Q'ty	Remarks
3-2	283076	Cylinder	1	New gasket required
3-3	282259	Gasket	1	
3-4	261612	Cap Screw	4	M5x30
3-5	282261	Insulator	1	New gasket required
3-6	282262	Gasket	1	
3-7	267290	Cap Screw	2	M5x20
3-8	282264	Muffler Comp.	1	
3-9	282271	Gasket	1	
3-10	266713	Cap Screw	2	M5x60
3-11	283315	Screw	1	M5x12W-12
3-12	284367	Label	1	
3-13	282274	Top Cover	1	
3-14	281714	Cap Screw	4	M5x20
3-15	262556	Knob	1	
3-16	282277	Crankcase	1	
3-17	262658	Bearing	2	#6202C3
3-18	262660	Oil Seal	1	TC15357
3-19	262565	Oil Seal	1	ISCD15257
3-20	012380	Snap Ring	1	#35
3-21	261612	Cap Screw	4	M5x30
3-22	283078	Piston	1	
3-23	282941	Piston Ring	2	(2)Required
3-24	262749	Piston Pin	1	
3-25	262659	Bearing,Needle	1	KTV111414EG01B2
3-26	262479	Clip,Piston Pin	2	
3-27	283038	Crankshaft/Conn.Rod Ass'y	1	
3-28	282743	Clutch Ass'y	1	Incl.29,30
3-29	282624	Clutch Shoe	2	(2)required
3-30	263617	Spring,Clutch	1	2.3-44.8L
3-31	283671	Cap Screw	2	M8x1.25
3-32	262683	Washer	2	8x22xt1.2
3-33	262682	Wave Washer	2	
3-34	282285	Fan Cover	1	
3-35	261250	Cap Screw	4	M5x20
3-36	282287	Magneto Ass'y	1	Incl.37-44
3-37	282288	Rotor/Fan	1	
3-38	282289	Ignition Coil Ass'y	1	Incl.39-44
3-39	267572	Coil	1	
3-40	282290	Spark Plug Wire Ass'y	1	Incl.41-43
3-41	282292	Plug Boot	1	
3-42	261075	Connector	1	
3-43	282291	Spark Plug Wire	1	
3-44	261072	Cap	1	
3-45	261076	Woodruff Key	1	3x10

3. BC5021H
ENGINE



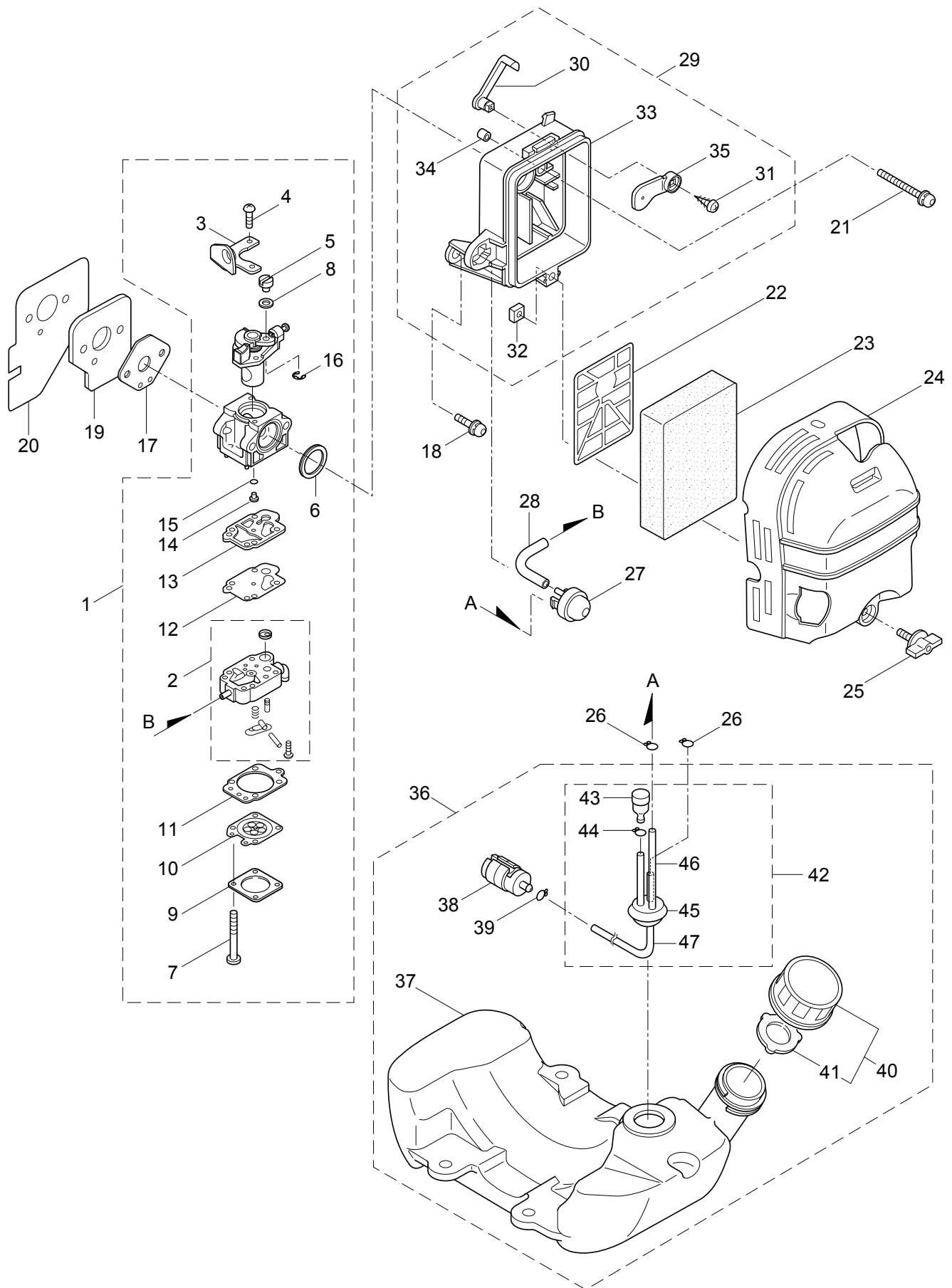
Ref. No.	Part No.	Part Name	Q'ty	Remarks
3-46	262731	Nut,Rotor	1	M10
3-47	280381	Spacer	2	
3-48	283669	Cap Screw	2	M4x25
3-49	261200	Spark Plug	1	NGK BPM6Y
3-50	281172	Grommet	1	
3-51	267492	Lead	2	130L
3-52	264588	Clamp	1	
3-53	285674	Recoil Starter Ass'y	1	Incl.54-66
3-54	285675	Starter Ass'y	1	Incl.55-61
3-55	285676	Reel	1	
3-56	280995	Spiral Spring	1	
3-57	281000	Set Screw	1	
3-58	285677	Starter Rope Ass'y	1	Incl.59-61
3-59	285678	Starter Rope	1	
3-60	262633	Starter Grip	1	
3-61	262981	Cap	1	
3-62	285679	Starter Pulley Ass'y	1	Incl.63-66
3-63	262638	E-Ring	2	
3-64	285680	Starter Pulley	1	
3-65	285681	Pawl	2	
3-66	285682	Return Spring	2	
3-67	285736	Nut	1	M8
3-68	261607	Cap Screw	4	M5x16
3-69	282317	Stand	1	
3-70	281759	Label	1	MUS MARUYAMA

4. BC5021H
 CARBURETOR, FUEL TANK



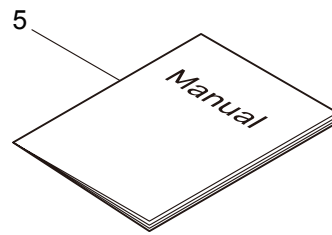
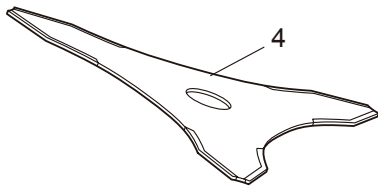
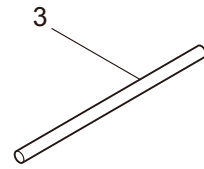
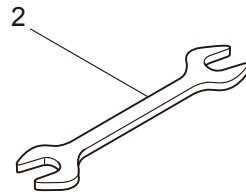
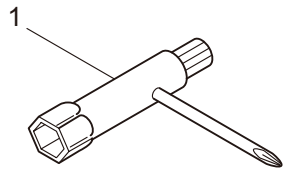
Ref. No.	Part No.	Part Name	Q'ty	Remarks
4-1	284109	Carburetor Ass'y	1	Incl.2-16 New gasket required
4-2	283124	Pump Body	1	
4-3	264677	Bracket	1	
4-4	261875	Screw	2	
4-5	261658	Swivel	1	
4-6	261657	Packing	1	
4-7	263737	Screw	4	
4-8	264678	Washer	1	
4-9	263726	Cover Plate	1	
4-10	283905	Diaphragm, Meterring	1	
4-11	263727	Gasket	1	
4-12	262994	Diaphragm,Fuel Pump	1	
4-13	282576	Gasket	1	
4-14	283125	Main Jet	1	
4-15	261871	O-Ring	1	
4-16	261876	E-Ring	1	
4-17	282301	Gasket	1	
4-18	264807	Cap Screw	1	M5x16
4-19	283086	Divider	1	
4-20	283087	Gasket	1	
4-21	262720	Cap Screw	2	M5x55
4-22	282481	Plate	1	
4-23	282306	Element	1	
4-24	282307	Cleaner Cover	1	
4-25	281438	Knob	1	
4-26	261117	Clip	2	
4-27	282299	Pump	1	
4-28	282512	Fuel Pipe	1	
4-29	282302	Case Ass'y	1	Incl.30-35
4-30	282305	Lever	1	
4-31	269032	Screw	1	
4-32	269423	Nut	1	
4-33	282303	Case Body	1	
4-34	282484	Sleeve	3	
4-35	282304	Valve	1	
4-36	283487	Fuel Tank Ass'y	1	Incl.37-47
4-37	282310	Fuel Tank	1	
4-38	267328	Fuel Filter Ass'y	1	
4-39	261117	Clip	1	
4-40	281565	Fuel Tank Cap Ass'y	1	Incl.41
4-41	269377	Gasket	1	
4-42	282312	Fuel Pipe Ass'y	1	Incl.43-47
4-43	261590	Breather	1	
4-44	261117	Clip	1	
4-45	268065	Grommet	1	

4. BC5021H
 CARBURETOR, FUEL TANK



Ref. No.	Part No.	Part Name	Q'ty	Remarks
4-46	282511	Return Pipe	1	
4-47	262649	Fuel Pipe	1	

5. BC5021H
ACCESSORIES



Ref. No.	Part No.	Part Name	Q'ty	Remarks
5-1	228008	Box Spanner	1	
5-2	022865	Double-ended Wrench	1	8x10
5-3	210181	Lever Handle	1	3.5x170L
5-4	227910	3-Teeth Blade	1	
5-5	230756	Instruction Manual	1	



Maruyama U.S., Inc.
3570 Shelby Lane
Denton, TX 76207
940-383-7400 voice
940-383-7466 fax

www.maruyama-us.com