

Is Your Product Registered?

Contact your Dealer to verify.

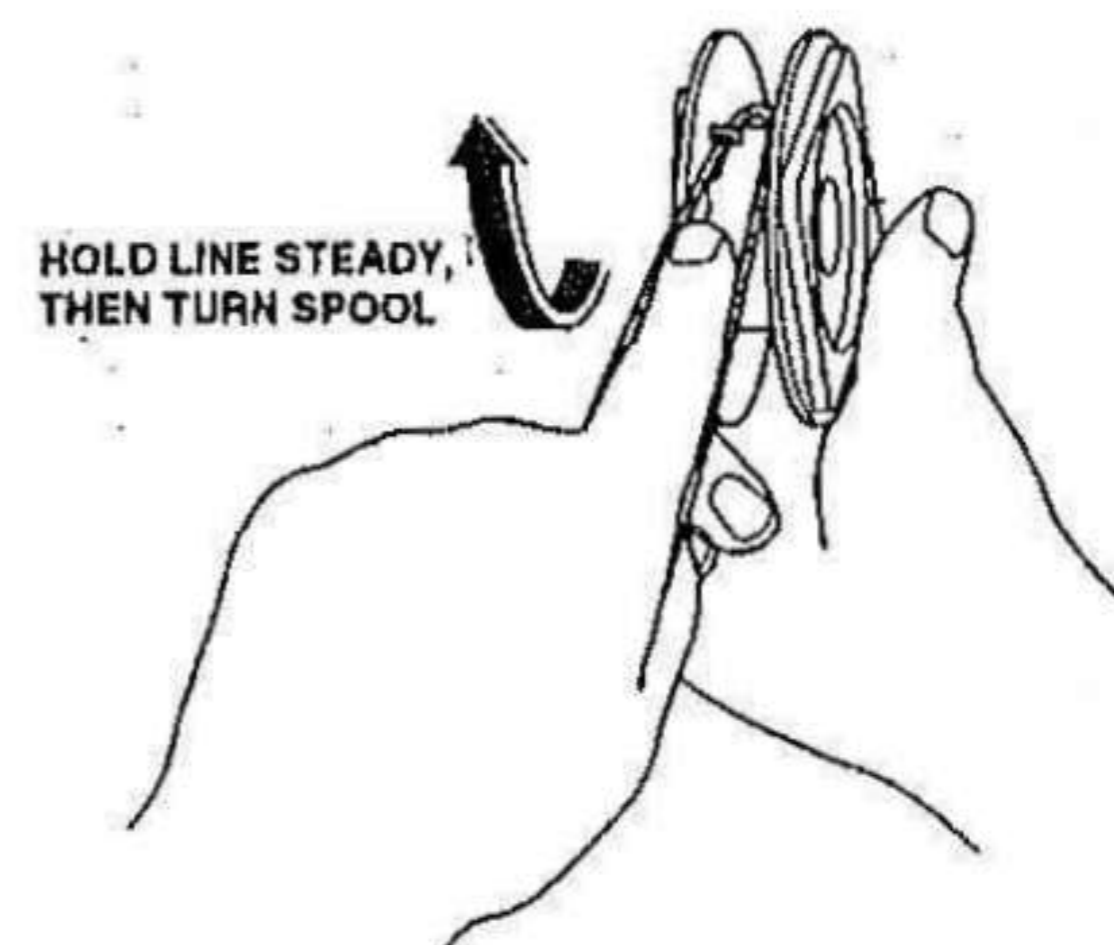
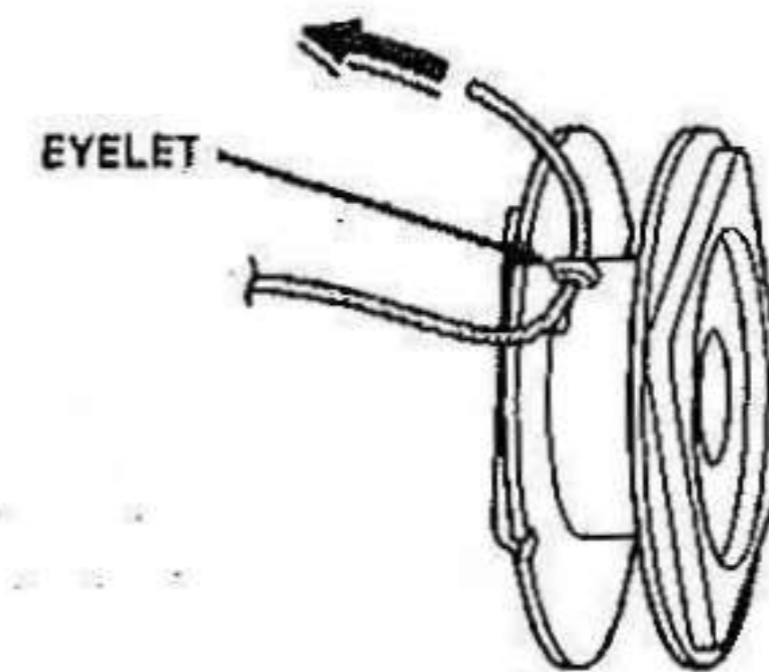
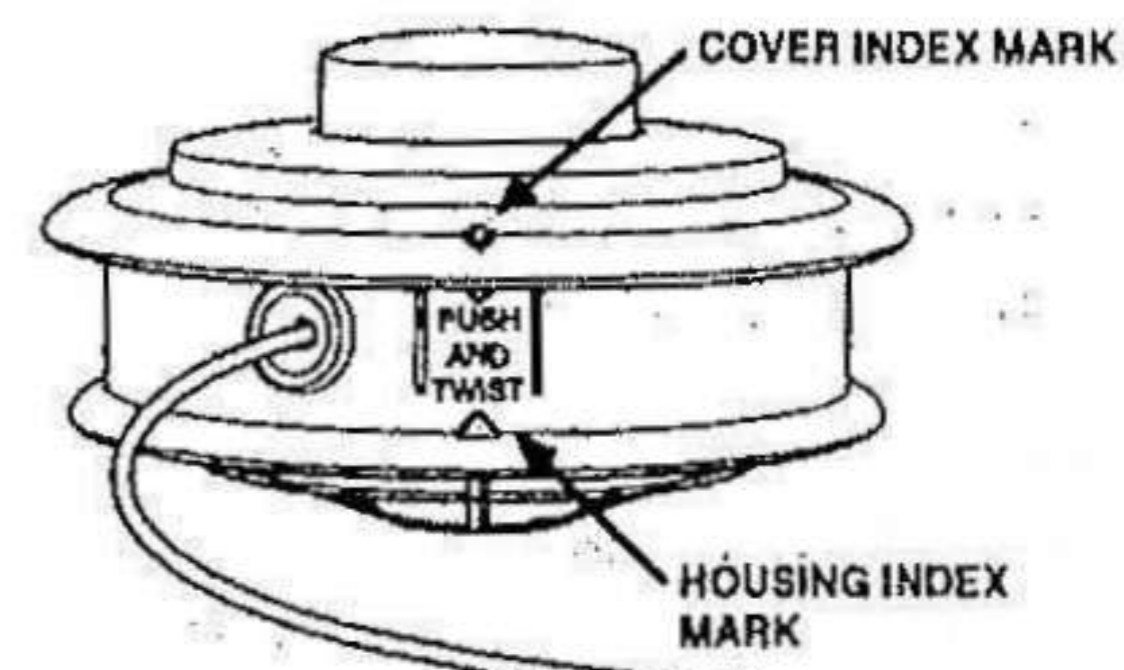
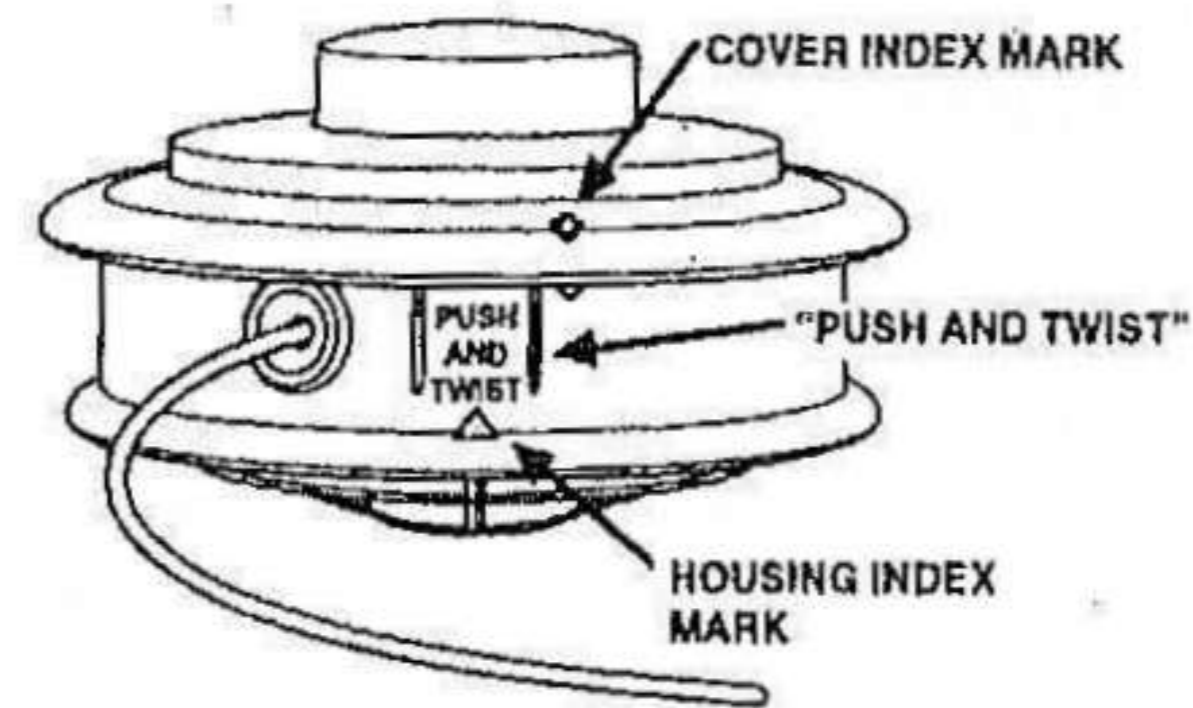
Warranties are based on Registrations and reduced to 1 year without  
Registration.

## STRING REPLACEMENT

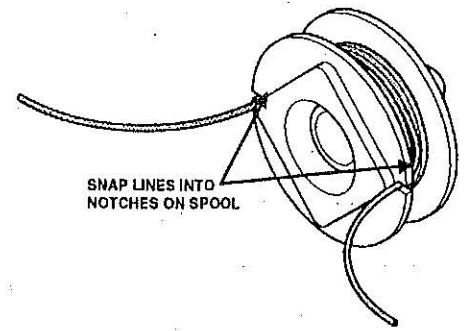
Use only genuine .095 diameter replacement trimmer line or equivalent.

1. It is not necessary to remove the cutting-line head from the trimmer. Use the tool as described in INSTALLATION to hold the cutting-line head in place.
2. Clean any mud, dirt, debris, etc. from the area around the cutting-line head; otherwise, it's more difficult to service.
3. Locate the square-shaped "PUSH AND TWIST" button on the side of the trimmer head.
4. Hold the housing firmly, then press the "PUSH AND TWIST" button. Turn the cover slightly to line up the index marks. Remove the cover button.
5. Remove the spool and spring from the housing. Remove any remaining line from the spool.
6. Measure about 20 feet (6 meters) of new line, then thread one end through the eyelet on the spool. Pull the line until the two lengths are equal.
7. Hold the spool in your hand with the spring side facing away. Wind both lines in the same direction around the spool. It is easiest if you turn the spool and let the line remain steady. Pay attention to the direction arrow(s) on the spool.
8. When winding, it is important not to allow the two lines to cross over each other. Position a finger between the lines as you turn the spool to prevent the lines from becoming crossed.

## Service Instruction for the 2-line Bump & Cut Head LH-RH

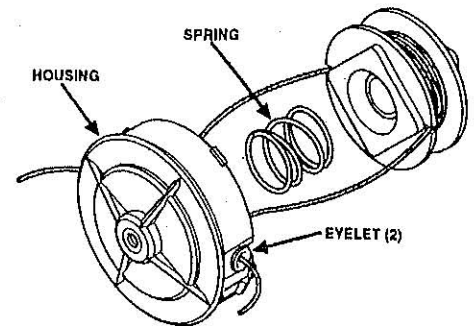


9. When you have about 6 inches (150 mm) of line remaining, press them into the two notches on the bottom of the spool. This holds the line on the spool for reassembly.



10. Guide the ends of the lines through the metal eyelets on the housing. Push the spool on top of the spring, then into the housing.

Be careful not to let any loose line get trapped outside the edges of the spool. Hold the spool inside the housing, then place the button and spool cover on top of the spool.



11. Hold the spool cover, button and housing together firmly, then pull each line until you hear it snap out of the notch. It is okay if one line is longer than the other.

12. If you're not sure if either line snapped out of the notch, carefully lift the spool cover away from the housing and inspect the line.

13. Locate the index mark on the cover, and line it up with the other mark on the "PUSH AND TWIST" button on the housing. Press the cover against the housing, then slightly turn the cover counterclockwise or clockwise (depending on rotation of trimmer) until it clicks in place. It is not necessary to press the "PUSH AND TWIST" button during reassembly.

